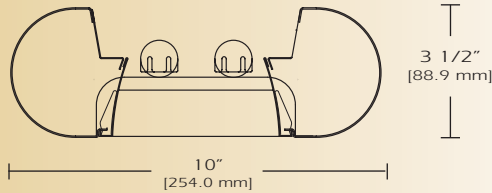


General Illumination

35S10-DI



TYPE _____

FEATURES

The 35S10 DI series is a direct/indirect version of the family of oval steel luminaires. The 35S10 DI is designed with direct/indirect distribution for suspended mounting. This series can be mounted individually, in perfectly aligned continuous rows, or in any of combination of patterns. This series is available with a variety of down light shielding. The 35S10 DI series is an ideal solution for larger spaces with high ceilings where both indirect distribution and direct task lighting is desirable.

SPECIFICATIONS

Housing: Two piece die formed 20-gauge cold rolled steel welded construction forming a 3 1/2" x 10" oval profile. Finished end caps are laser cut 18-gauge cold rolled steel, with no exposed hardware or knockouts. Adjustable mounting brackets provide precision alignment of continuous rows.

Reflector: Die formed 20-gauge cold rolled steel minimum 90% reflectivity finished in high gloss baked white enamel.

Shielding: Parabolic louver is semi-specular low iridescence aluminum 1 1/4" x 4" O.C. with 12 cells per 4' section. Four spring wire clips secure snap in baffle including two tethers.

Electrical: Ballast is electronic, high power factor, thermally protected class P, sound rated A, with less than 20% total harmonic distortion. The minimum number of ballasts will be used unless otherwise specified.

Mounting: Standard installation is an adjustable self-locking aircraft cable assembly 48" x 3/32" in diameter with 5" canopy. One 16/4 SJT straight 54" cord is supplied with each power feed. Standard pendants are available in 24" lengths. See Accessories for additional mounting.

Finish: Fixture housing and steel components are finished in baked white enamel applied over a five-stage pretreatment process.

Lamps: Fixtures are provided for use with two or three 32 watt T8 lamps or 54 watt T5 HO lamps. (Supplied by Others)

Certification: Luminaires are U. L. Listed, C. S. A. certified and are Union Made in the United States of America. I.B.E.W.

ORDERING GUIDE

MODEL NO.	DIRECTION	SHIELDING	LAMPS	MOUNTING	LENGTH	FINISH	VOLTAGE	OPTIONS
35S10	DI							
35S10	DI =Direct/ Indirect	PBL =Parabolic Louver SCB =Steel Cross Baffle PRS =Prismatic Acrylic WOA =White Opal Acrylic	232T8 332T8 254T5 HO 354T5 HO O =Other Specify	AC = Cable PD = Pendant See Accessories	4 = 4 ft 8 = 8 ft for other, please enter row length (eg. 48=48ft)	W = White CC = Custom Color	120v 277v	See Options Below

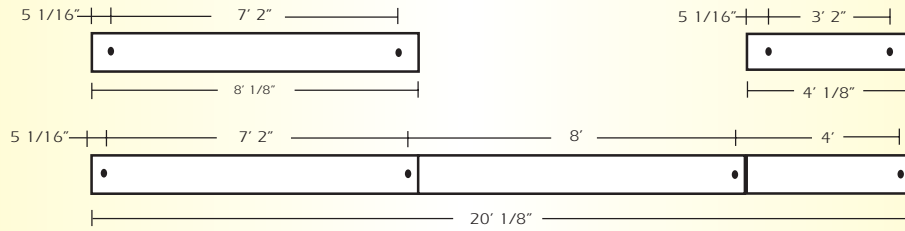
Example: **35S10-DI-PBL-232T8-AC-4-W-120V**

Example: 35S10 direct / indirect with parabolic louver for two 32 watt T8 lamps with two 48inch aircraft cables and power feed four foot fixture finished in baked white enamel 120v electronic ballast less than 20% total harmonic distortion.

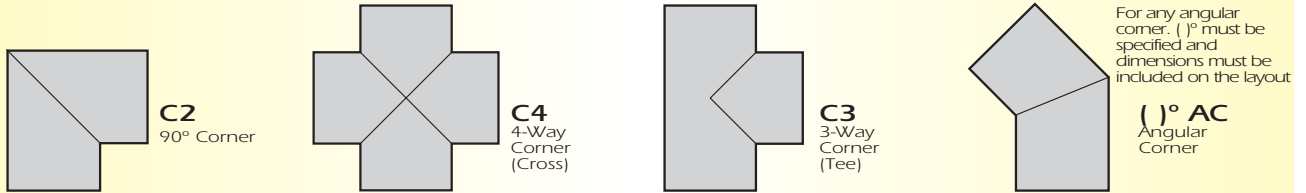
OPTIONS

- E10=** Electronic ballast, high power factor, thermally protected class P, sound rated A, < 10% total harmonic distortion
- DIM=** Dimming Ballast
- EPC=** Emergency Battery Pack
- EMC=** Emergency Circuit
- TCW=** Two Circuit Wiring
- TDW=** Tandem Wiring
- OTH=** See Accessories for other options available

LINEAR SECTIONS AND SUSPENSION LOCATION



CORNERS Corners and fixture extensions are custom fabricated to precise dimensions. Please indicate the specific requirements on the layout.

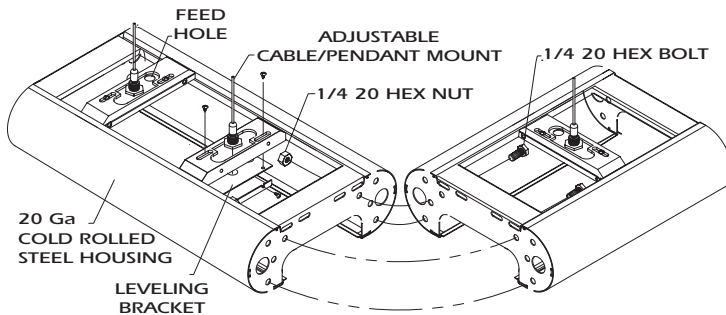


For any pattern, a layout must accompany the order.

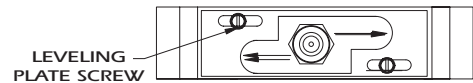
INSTALLATION PREPARATION

TYPICAL JOINT DETAIL

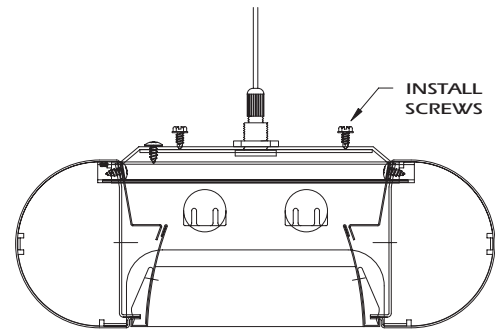
JOINING HARDWARE PROVIDED BY DAY-O-LITE



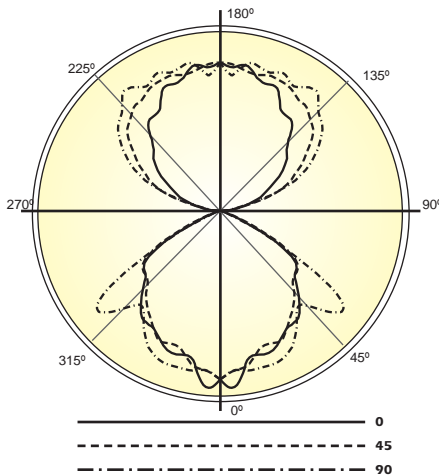
SLIDE SIDE TO SIDE UNTIL LEVEL AND FASTEN SCREWS SECURELY



MOUNTING BAR INSTALLATION



PHOTOMETRY



Candela Distribution:

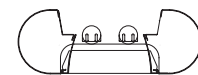
Vert. Angle	0	22.5	45	67.5	90
0	928	928	928	928	928
5	969	891	880	894	880
15	818	809	796	869	891
25	779	769	788	807	868
35	732	668	683	695	728
45	592	552	559	601	765
55	506	416	515	635	754
65	153	139	197	141	111
75	26.1	20.7	21.8	17.8	19.8
85	4.02	4.29	4.32	4.32	3.23
95	81.1	52.4	35.8	35.9	36.9
105	189	242	245	220	205
115	298	389	441	500	511
125	432	517	591	634	672
135	521	600	701	753	764
145	634	674	743	822	826
155	738	733	783	803	827
165	761	769	772	791	818
175	790	754	802	774	748
180	813	813	813	813	813

Optical Distribution:
60% Indirect, 40% Direct

Coefficients of Utilization - Zonal Cavity Method:

pfc = 0.20

	.8	.7	.5	.3	.1	0												
pcc	.8	.7	.5	.3	.1	0												
pw	.7	.5	.3	.1	.5	.3	.1	0										
RCR																		
0	93	93	93	85	85	85	70	70	70	57	57	57	44	44	44	38		
1	86	82	79	76	78	75	73	70	63	61	59	51	50	49	40	39	39	34
2	78	72	67	63	71	66	62	58	55	52	49	45	43	41	36	34	33	29
3	71	64	57	53	65	58	53	49	49	45	42	40	37	35	32	30	28	25
4	65	56	50	44	60	52	46	41	43	39	36	36	33	30	29	26	25	21
5	60	50	43	38	55	46	40	35	39	34	31	32	29	26	26	23	21	18
6	55	45	38	33	50	41	35	31	35	30	27	29	25	23	23	21	19	16
7	51	40	33	29	46	37	31	27	31	27	23	26	22	20	21	18	16	14
8	47	36	30	25	43	34	28	24	29	24	21	24	20	18	19	17	15	13
9	44	33	27	22	40	31	25	21	26	21	18	22	18	16	18	15	13	11
10	41	30	24	20	37	28	22	19	24	19	16	20	17	14	16	14	12	10



Total Luminaire Optical Efficiency = 88.6%

LAMP (2) 32W T8
LUMENS: 2900 PER LAMP
PARABOLIC LOUVER