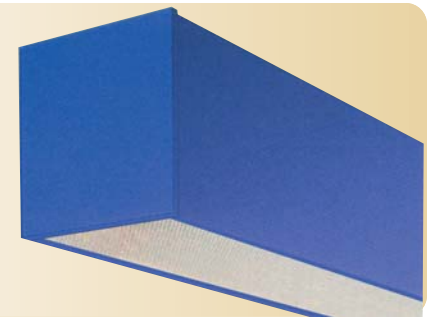
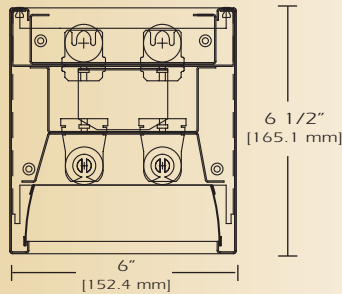


General Illumination

PTP-DI



TYPE _____

FEATURES

The PTP DI architectural linear series is an extraordinarily efficient steel luminaires. The PTP DI is designed with direct and indirect distribution for suspended mounting. This series can be mounted individually, in perfectly aligned continuous rows or in any of combination of patterns. This series is available with direct and indirect lamp control and almost limitless variety of down light shielding. The PTP series is an ideal solution for open spaces and provides maximum design versatility.

SPECIFICATIONS

Housing: Die formed 20 gauge cold rolled steel is 6 1/2" x 6" welded construction, top and bottom of housing have a 3/8" regression for structural rigidity and conformity. Joiner ends are notched below the lamps for ease of installation and continuous baffle appearance. Finished end caps are laser cut 18 gauge cold rolled steel, with no exposed hardware or knockouts. Housing aligners provide precision alignment for continuous rows.

Reflector: Both direct and indirect reflectors are die formed 20-gauge cold rolled steel minimum 90% reflectivity finished in high gloss baked white enamel.

Shielding: Parabolic louver is semi-specular low iridescence aluminum 1 1/2" x 2" O.C. with 24 cells per 4' section for direct lighting element. Indirect is open.

Electrical: Ballast is electronic, high power factor, thermally protected class P, sound rated A, with less than 20% total harmonic distortion. The minimum number of ballasts will be used unless otherwise specified. Direct and indirect lamps are dual circuit switching.

Mounting: Standard Installation is an adjustable self-locking aircraft cable assembly 48" x 3/32" in diameter with 5" canopy. One 16/4 SJT straight 54" cord is supplied with each power feed. Standard pendants are available in 24" lengths. See Accessories for additional mounting.

Finish: Fixture housing and steel components are finished in baked white enamel applied over a five-stage pretreatment process.

Lamps: Fixtures are provided for use with two to four 32-watt T8 lamps or 54-watt T5 HO lamps. (Supplied by Others)

Certification: Luminaires are U. L. Listed, C. S. A. certified and are Union Made in the United States of America. I.B.E.W.

ORDERING GUIDE

MODEL NO.	DIRECTION	SHIELDING	NO. OF LAMPS	LAMPS	MOUNTING	LENGTH	FINISH	VOLTAGE	OPTIONS
PTP	DI								
PTP	DI= Direct/ Indirect	PBL= Parabolic Louder SCB= Steel Cross Baffle PRS= Prismatic Acrylic WOA= White Opal Acrylic	1U1D= One Up/One Down 1U2D= One Up/Two Down *2U1D= Two Up/One Down *2U2D= Two UP/Two Down O= Other Specify	17 T8 (2') 25 T8 (3') 32 T8 (4') 40 T8 (5') 28 T5 (4') 54 T5 HO (4')	AC= Cable PD= Pendant WM= Wall See Accessories	2= ft 3= ft 4= ft 5= ft 6= ft 8= ft for other, please enter row length (eg. 48=48ft)	W= White CC= Custom Color	120v 277v	See Options Below

Example: **PTP-DI-PBL-2U2D-32T8-AC-4-W-120V**
PTP-DI direct/indirect with parabolic louver down and open up for two 32 watt T8 lamp down and two 32 watt T8 lamp up including two 48 inch aircraft cables and power feed four foot fixture finished in baked white enamel 120v electronic ballast less than 20% total harmonic distortion.

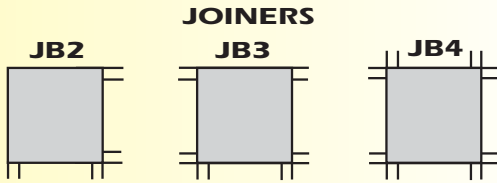
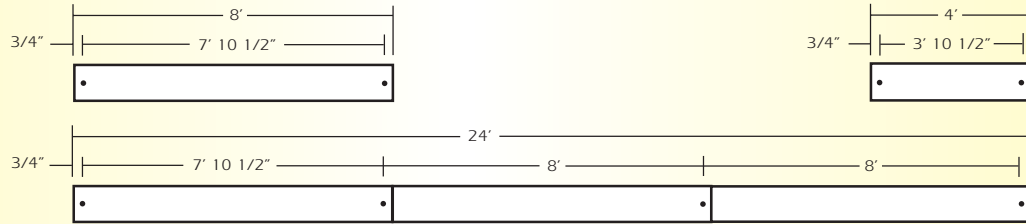
OPTIONS

- E10=** Electronic ballast, high power factor, thermally protected class P, sound rated A, < 10% total harmonic distortion
- PT3=** Parabolic reflector in semi-specular low iridescence aluminum for down light only
- DIM=** Dimming Ballast
- EPC=** Emergency Battery Pack
- EMC=** Emergency Circuit
- TCW=** Two Circuit Wiring
- OTH=** See Accessories for other options available

General Illumination

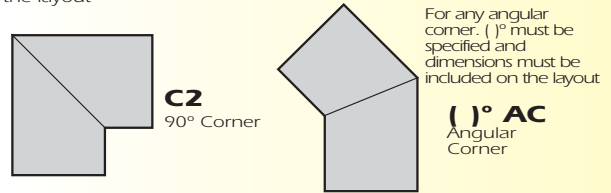
PTP-DI

LINEAR SECTIONS AND SUSPENSION LOCATION

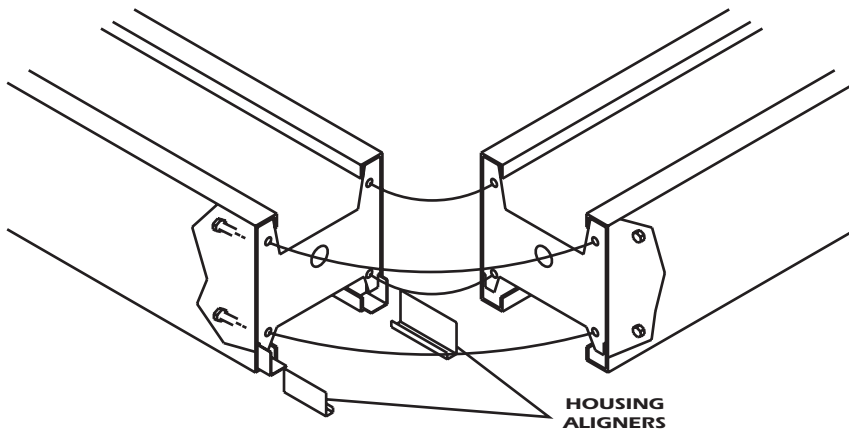


JB2
JB2-90° (Corner) Joiner Box
JB3
JB3-3-Way (Tee) Joiner Box
JB4
JB4-4-Way (Cross) Joiner Box

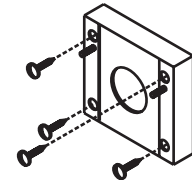
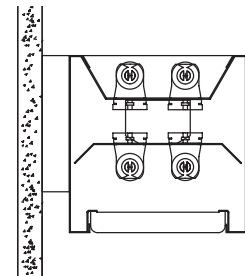
CORNERS Corners and fixture extensions are custom fabricated to precise dimensions. Please indicate the specific requirements on the layout



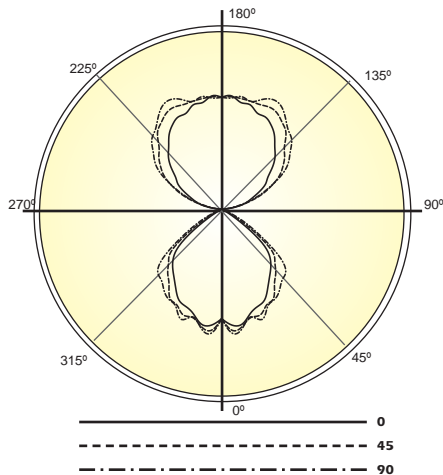
INSTALLATION PREPARATION



TYPICAL JOINT DETAIL



PHOTOMETRY



LAMP (4) 32W T8
LUMENS: 2900 PER LAMP
PARABOLIC LOUVER

Candela Distribution:

Vert. Angle	0	22.5	45	67.5	90
0	1358	1358	1358	1358	1358
10	1444	1420	1470	1459	1487
20	1284	1337	1392	1427	1453
30	1132	1224	1276	1276	1294
40	940	1030	1036	1125	1155
50	646	717	812	907	951
60	27.9	61.4	164	290	327
70	0.00	0.00	0.190	0.06	7.95
80	0.00	0.00	0.00	0.00	0.00
90	3.06	2.01	2.00	2.78	3.11
100	195	210	177	166	142
110	393	495	513	482	477
120	622	738	817	837	858
130	818	931	1013	1104	1103
140	1017	1094	1233	1277	1277
150	1210	1282	1370	1453	1470
160	1269	1292	1379	1465	1446
170	1341	1362	1390	1375	1415
180	1386	1386	1386	1386	1386

Optical Distribution:
Direct/Indirect

Coefficients of Utilization - Zonal Cavity Method:

pfc = 0.20

	.8	.7	.5	.3	.1	0											
pcc	.8	.7	.5	.3	.1	0											
pw	.7	.5	.3	.1	.5	.3	.1	.5	.3	.1	0						
RCR																	
0	69	69	69	69	63	63	63	51	51	51	41	41	41	31	31	26	
1	64	61	59	57	58	56	54	53	46	45	44	37	36	35	28	28	23
2	59	54	51	48	53	50	47	44	41	39	37	33	32	30	26	25	21
3	54	48	44	40	49	44	41	37	37	34	32	30	28	26	23	22	18
4	50	43	38	35	45	40	35	32	33	30	27	27	25	23	21	20	16
5	46	38	33	30	41	35	31	28	30	26	24	24	22	20	19	18	14
6	42	35	29	26	38	32	27	24	27	23	21	22	19	18	17	16	13
7	39	31	26	23	35	29	24	21	24	21	18	20	17	16	16	14	11
8	36	28	23	20	33	26	22	19	22	19	16	18	16	14	15	13	10
9	33	26	21	18	31	24	20	17	20	17	15	17	14	12	13	12	9
10	31	24	19	16	28	22	18	15	18	15	13	15	13	11	12	11	8



Total Luminaire Optical Efficiency = 66.8%