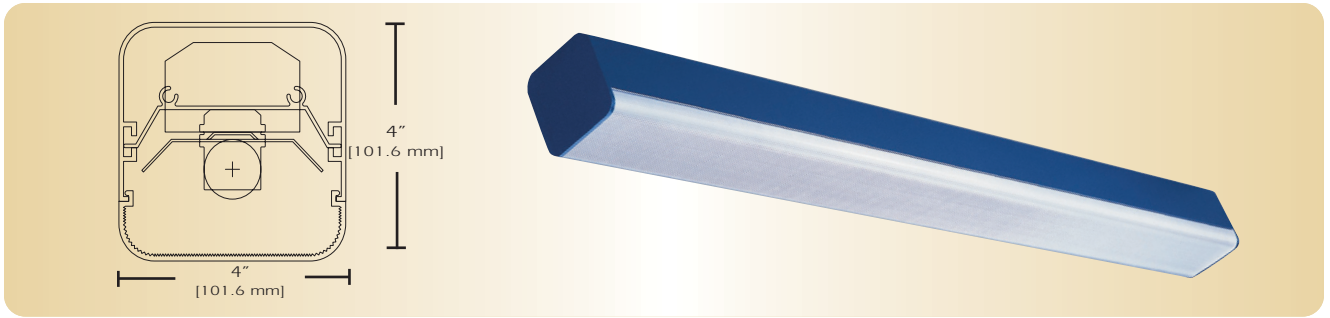


# Squares

AD-SS4-D



**TYPE** \_\_\_\_\_

**FEATURES**

The AD-SS4 soft square series is an extruded aluminum luminaire available with a clear ribbed acrylic lens. The luminaires can be mounted individually, in rows or in any of combination of patterns. The luminaires in this series provide low glare and widespread illumination. The simplicity of the AD-SS4 series is the solution for open spaces while providing maximum design versatility to meet the perceived source of illumination for a specific environment.

**SPECIFICATIONS**

- Housing:** One piece heavy gauge extruded aluminum 6063T5 alloy welded construction forming a 4" x 4" soft square profile. Finished end caps are welded with no exposed hardware or knockouts.
- Reflector:** Die formed 20-gauge cold rolled steel minimum 90% reflectivity finished in high gloss baked white enamel.
- Shielding:** Standard lens is extruded acrylic with linear ribs (ARL) for efficient light distribution.
- Electrical:** Ballast is electronic, high power factor, thermally protected class P, sound rated A, with less than 20% total harmonic distortion. The minimum number of ballasts will be used unless otherwise specified.
- Mounting:** Standard installation is an adjustable self-locking aircraft assembly 48" x 3/32" in diameter with 5" canopy. One 16/4 SJT straight 54" cord is supplied with each power feed. Standard pendants are available in 24" lengths. See Accessories for additional mounting.
- Finish:** Fixture housing and steel components are finished in baked white enamel applied over a five-stage pretreatment process.
- Lamps:** Fixtures are provided for use with one or two 32 watt T8 lamp or 54 watt T5 HO lamp. (Supplied by Others)
- Certification:** Luminaires are U. L. Listed, C. S. A. certified and are Union Made in the United States of America I.B.E.W.

**ORDERING GUIDE**

MODEL NO.	DIRECTION	SHIELDING	LAMPS	MOUNTING	LENGTH	FINISH	VOLTAGE	OPTIONS
<b>AD-SS4</b>	<b>D</b>							
<b>AD-SS4</b>	<b>D= Direct</b>	<b>ARL= Acrylic Ribbed Lens</b>	<b>132 T8</b> <b>232 T8</b> <b>154T5 HO</b> <b>254T5 HO</b>	<b>AC= Cable</b> <b>PD= Pendant</b> <b>S= Surface</b> <b>WM= Wall Mounted</b>	<b>4= ft</b> <b>8= ft</b>	<b>W= White</b> <b>CC= Custom Color</b>	<b>120v</b> <b>277v</b>	<b>See Options Below</b>
			<b>O=Other Specify</b>	See Accessories	for other, please enter row length (eg. 48=48ft)			

Example: **AD-SS4-D-ARL-132T8-AC-4-W-120V**  
 AD-SS4 direct with acrylic ribbed linear lens for one 32 watt T8 lamps including two 48 inch aircraft cables and power feed four foot fixture finished in baked white enamel 120v electronic ballast less than 20% total harmonic distortion.

**OPTIONS**

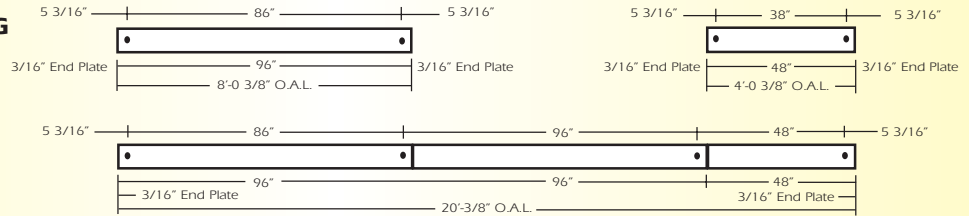
- E10=** Electronic ballast, high power factor, thermally protected class P, sound rated A, < 10% total harmonic distortion.
- DIM=** Dimming Ballast
- EPC=** Emergency Battery Pack
- EMC=** Emergency Circuit
- TCW=** Two Circuit Wiring
- TDW=** Tandem Wiring
- OTH=** See Accessories for other options available.

# Squares

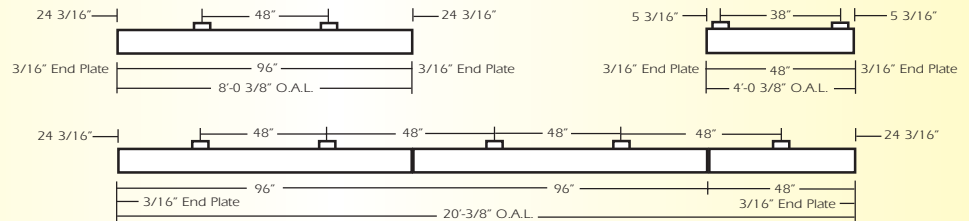
AD-SS4-D

LINEAR SECTIONS AND SUSPENSION LOCATION

## SUSPENSION MOUNTING

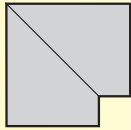


## WALL MOUNTING

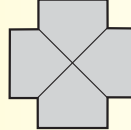


## CORNERS

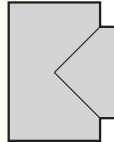
Corners and fixture extensions are custom fabricated to precise dimensions. Please indicate the specific requirements on the layout



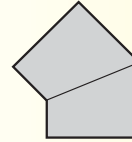
**C2**  
90° Corner



**C4**  
4-Way Corner (Cross)



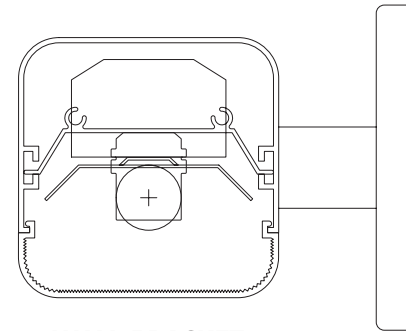
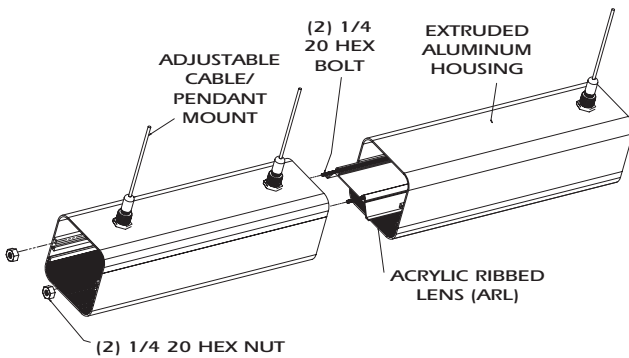
**C3**  
3-Way Corner (Tee)



**( )° AC**  
Angular Corner

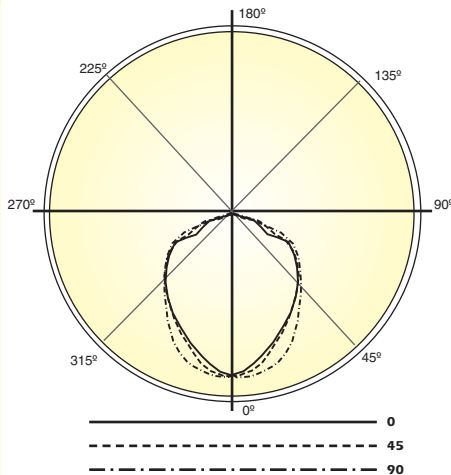
For any angular corner, ( )° must be specified and dimensions must be included on the layout  
For any pattern, a layout must accompany the order.

INSTALLATION PREPARATION



**WALL BRACKET**

PHOTOMETRY



LAMP (1) 32W T8  
LUMENS: 2900 PER LAMP

### Candela Distribution:

Vert. Angle	0	22.5	45	67.5	90
0	729	729	729	729	729
5	713	725	702	693	714
10	693	681	704	683	694
15	651	674	669	673	680
20	656	649	659	666	672
25	636	631	637	641	645
30	581	594	593	593	598
35	524	529	532	529	535
40	453	454	452	458	476
45	359	360	376	403	421
50	268	272	310	353	381
55	190	204	250	317	339
60	136	149	205	279	312
65	93	109	174	256	274
70	69	87	148	230	245
75	53	69	126	195	210
80	33	49	101	155	166
85	12	29	74	117	127
90	3	16	60	93	104

Optical Distribution:  
100% Direct

### Coefficients of Utilization - Zonal Cavity Method:

pfc = 0.20

	.8	.7	.5	.3	.1	0													
pcc	.8	.7	.5	.3	.1	0													
pw	.7	.5	.3	.1	.5	.3	.1	.5	.3	.1	0								
RCR	0	78	78	78	78	76	76	76	76	72	72	72	68	68	68	64	64	64	62
1	71	68	65	62	69	66	63	61	62	60	58	59	57	55	52	52	52	51	51
2	65	59	55	51	63	58	53	50	55	51	48	52	49	46	44	44	44	43	43
3	59	52	47	43	57	51	46	42	48	44	41	46	42	40	37	37	37	37	37
4	55	47	41	37	53	45	40	36	43	39	35	41	37	34	32	32	32	32	32
5	50	42	36	32	49	41	35	31	39	34	31	37	33	30	28	28	28	28	28
6	47	38	32	28	45	37	32	28	35	31	27	34	30	26	25	25	25	25	25
7	43	35	29	25	42	34	28	25	32	28	24	31	27	24	22	22	22	22	22
8	40	36	26	22	39	31	26	22	30	25	22	29	24	21	20	20	20	20	20
9	38	29	24	20	37	29	23	20	27	23	20	26	22	19	18	18	18	18	18
10	35	27	22	18	34	26	21	18	25	21	18	25	21	18	16	16	16	16	16



Total Luminaire Optical Efficiency = 66.6%