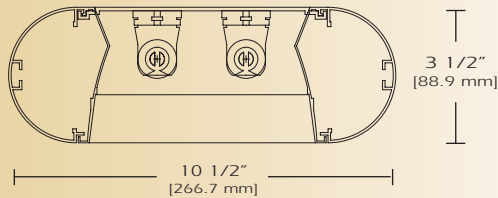


Ovals

AD3510-D



TYPE _____

FEATURES

The AD3510 oval aluminum luminaire is distinguished by its low profile and contemporary design. This high quality luminaire is suitable for most lighting systems and can be mounted to suit any project. The highly efficient design produces a uniform direct light distribution. The AD3510 is ideal where style quality and performance applications apply.

SPECIFICATIONS

- Housing:** Two piece heavy gauge extruded aluminum 6063T5 alloy welded construction forming a 3 1/2" x 10 1/2" oval profile. Finished end caps are welded to housing with no exposed hardware or knockouts.
- Reflector:** Die formed 20-gauge cold rolled steel minimum 90% reflectivity finished in high gloss baked white enamel.
- Shielding:** Parabolic louver is semi-specular low iridescence aluminum 1 1/4" x 2.4" O.C. with 20 cells per 4' section. Four spring clips secure snap in baffle including two tethers.
- Electrical:** Ballast is electronic, high power factor, thermally protected class P, sound rated A, with less than 20% total harmonic distortion. The minimum number of ballasts will be used unless otherwise specified.
- Mounting:** Standard installation is an adjustable self-locking aircraft assembly 48" x 3/32" in diameter with 5" canopy. One 16/4 SJT straight 54" cord is supplied with each power feed. Standard pendants are available in 24" lengths. See Accessories for additional mounting.
- Finish:** Fixture housing and steel components are finished in baked white enamel applied over a five-stage pretreatment process.
- Lamps:** Fixtures are provided for use with two or three 32 watt T8 lamps or 54 watt T5 HO lamps. (Supplied by Others)
- Certification:** Luminaires are U. L. Listed, C. S. A. certified and are Union Made in the United States of America I.B.E.W.

ORDERING GUIDE

MODEL NO.	DIRECTION	SHIELDING	LAMPS	MOUNTING	LENGTH	FINISH	VOLTAGE	OPTIONS
AD3510	D							
AD3510	D=Direct	PBL=Parabolic Louver SCB=Steel Cross Baffle PRS=Prismatic Acrylic WOA=White Opal Acrylic	232T8 332T8 254T5 HO 354T5 HO O=Other Specify	AC= Cable PD= Pendant S= Surface See Accessories	4= 4 ft 8= 8 ft for other, please enter row length (eg. 48=48ft)	W= White CC= Custom Color	120v 277v	See Options Below

Example: **AD-3510-D-PBL-232T8-AC-4-W-120V**
 AD-3510 direct with parabolic louver for two 32 watt T8 lamps including two 48 inch aircraft cables and power feed four foot fixture finished in baked white enamel 120v electronic ballast less than 20% total harmonic distortion.

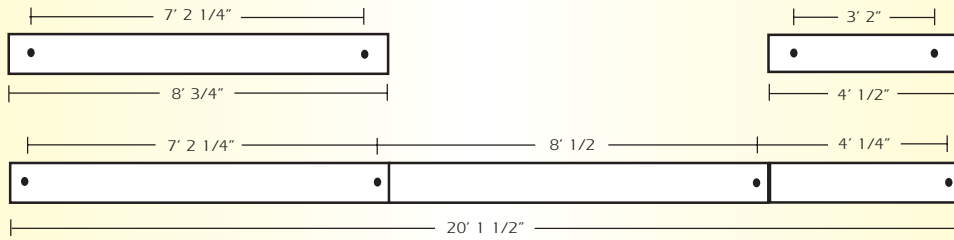
OPTIONS

- E10=** Electronic ballast, high power factor, thermally protected class P, sound rated A, < 10% total harmonic distortion
- DIM=** Dimming Ballast
- EPC=** Emergency Battery Pack
- EMC=** Emergency Circuit
- TCW=** Two Circuit Wiring
- TDW=** Tandem Wiring
- OTH=** See Accessories for other options available

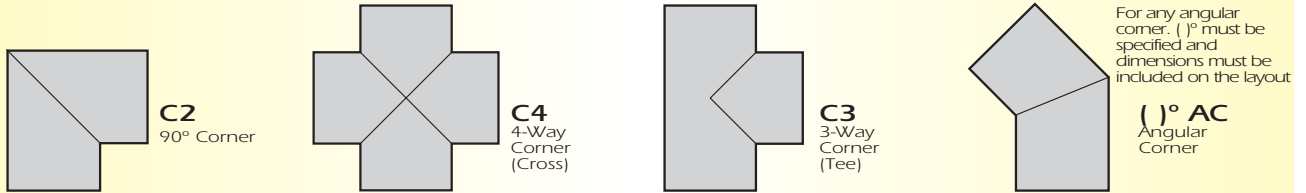
Ovals

AD3510-D

LINEAR SECTIONS AND SUSPENSION LOCATION

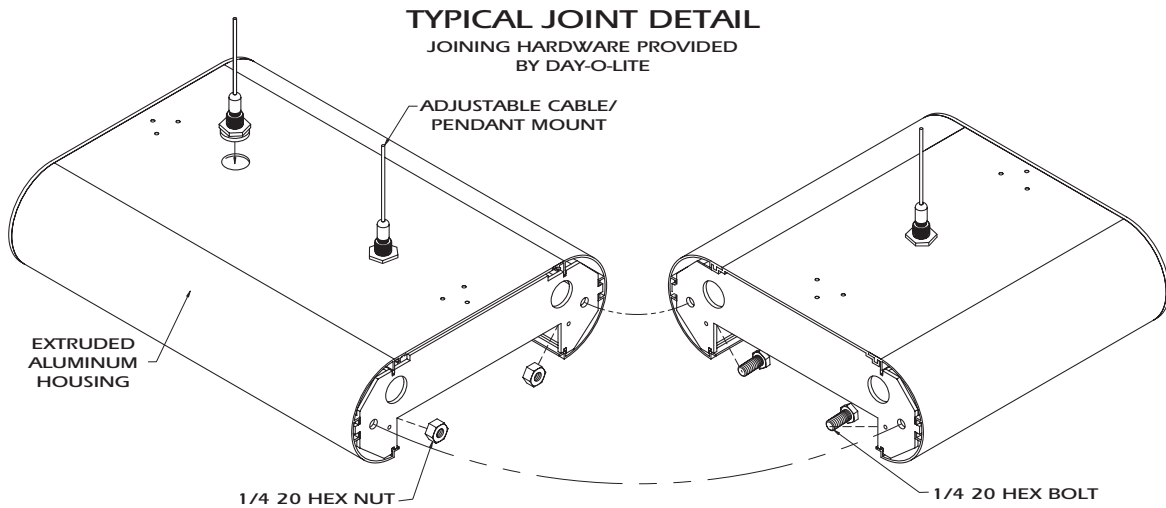


CORNERS Corners and fixture extensions are custom fabricated to precise dimensions. Please indicate the specific requirements on the layout.

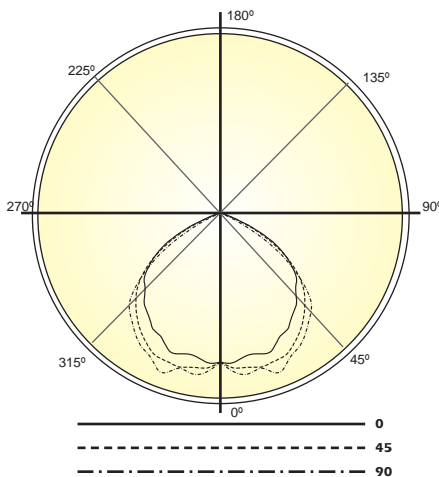


For any pattern, a layout must accompany the order.

INSTALLATION PREPARATION



PHOTOMETRY



LAMP (2) 32W T8
LUMENS: 2900 PER LAMP
PARABOLIC LOUVER

Candela Distribution:

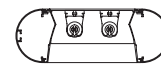
Vert. Angle	0	22.5	45	67.5	90
0	1364	1364	1364	1364	1364
5	1394	1387	1371	1354	1347
10	1266	1305	1391	1367	1303
15	1263	1259	1315	1314	1332
20	1188	1218	1256	1266	1258
25	1151	1207	1176	1212	1182
30	1032	1093	1082	1070	1075
35	955	973	953	978	999
40	833	866	798	871	877
45	793	771	718	764	830
50	719	676	614	699	752
55	618	564	491	582	606
60	489	460	394	418	434
65	325	311	278	297	287
70	188	195	168	190	206
75	128	132	111	129	144
80	86.1	76.3	72.8	79.0	84.2
85	32.4	32.4	29.0	33.8	38.4
90	1.58	2.15	2.70	2.63	2.67

Optical Distribution:
100% Direct

Coefficients of Utilization - Zonal Cavity Method:

pfc = 0.20

	.8	.7	.5	.3	.1	0												
pcc	.8	.7	.5	.3	.1	0												
pw	.7	.5	.3	.1	.5	.3	.1	.5	.3	.1	0							
RCR																		
0	66	66	66	66	64	64	64	61	61	61	59	59	59	56	56	56	55	
1	61	58	56	54	59	57	55	53	52	52	51	50	50	49	48	47	47	
2	56	51	48	45	54	50	47	44	48	46	43	47	44	42	45	43	41	40
3	51	45	41	38	50	45	41	38	43	40	37	41	39	36	40	38	36	35
4	47	41	36	32	46	40	36	32	38	35	32	37	34	31	36	33	31	30
5	43	36	32	28	42	36	31	28	35	31	28	34	30	27	33	30	27	26
6	40	33	28	25	39	32	28	25	31	27	24	30	27	24	30	26	24	23
7	37	30	25	22	36	29	25	22	29	25	22	28	24	22	27	24	21	20
8	35	27	23	20	34	27	23	20	26	22	19	26	22	19	25	22	19	18
9	32	25	21	18	32	25	21	18	24	20	18	24	20	18	23	20	17	16



Total Luminaire Optical Efficiency = 55.3%