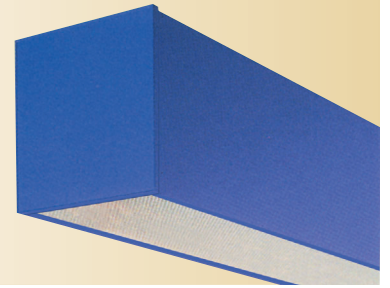
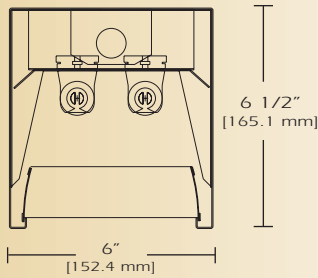


# General Illumination

PTP-D



TYPE \_\_\_\_\_

FEATURES

The PTP architectural linear series is an extraordinarily efficient steel luminaires. The PTP D is designed for surface or suspended mounting. This series can be mounted individually, in perfectly aligned continuous rows or in any of combination of patterns. This series is available with an almost limitless variety of shielding. The PTP series is an ideal solution for open spaces and provides maximum design versatility.

SPECIFICATIONS

**Housing:** Die formed 20 gauge cold rolled steel welded construction, bottom of housing has a 3/8" regression for structural rigidity and conformity. Joiner ends are notched below the lamps for ease of installation and continuous baffle appearance. Finished end caps are laser cut 18 gauge cold rolled steel, with no exposed hardware or knockouts. Housing aligners provide precision alignment for continuous rows.

**Reflector:** Die formed 20-gauge cold rolled steel minimum 90% reflectivity finished in high gloss baked white enamel.

**Shielding:** Parabolic louver is semi-specular low iridescence aluminum 1 1/2" x 2" O.C. with 24 cells per 4' section.

**Electrical:** Ballast is electronic, high power factor, thermally protected class P, sound rated A, with less than 20% total harmonic distortion. The minimum number of ballasts will be used unless otherwise specified.

**Mounting:** Standard Installation is an adjustable self-locking aircraft cable assembly 48" x 3/32" in diameter with 5" canopy. One 16/4 SJT straight 54" cord is supplied with each power feed. Standard pendants are available in 24" lengths. See Accessories for additional mounting.

**Finish:** Fixture housing and steel components are finished in baked white enamel applied over a five-stage pretreatment process.

**Lamps:** Fixtures are provided for use with one or two 32 watt T8 lamps or 54 watt T5 HO lamps. (Supplied by Others)

**Certification:** Luminaires are U. L. Listed, C. S. A. certified and are Union Made in the United States of America. I.B.E.W.

ORDERING GUIDE

MODEL NO.	DIRECTION	SHIELDING	NO. OF LAMPS	LAMPS	MOUNTING	LENGTH	FINISH	VOLTAGE	OPTIONS
<b>PTP</b>	<b>D</b>								
<b>PTP</b>	<b>D=</b> Direct	<b>PBL=</b> Parabolic Louver <b>SCB=</b> Steel Cross Baffle <b>PRS=</b> Prismatic Acrylic <b>WOA=</b> White Opal Acrylic	<b>1=</b> 1 <b>2=</b> 2	<b>17 T8 (2')</b> <b>25 T8 (3')</b> <b>32 T8 (4')</b> <b>40 T8 (5')</b> <b>28 T5 (4')</b> <b>54 T5 HO (4')</b>	<b>AC=</b> Cable <b>PD=</b> Pendant <b>S=</b> Surface  See Accessories	<b>2=</b> ft <b>3=</b> ft <b>4=</b> ft <b>5=</b> ft <b>6=</b> ft <b>8=</b> ft  for other, please enter row length (eg. 48=48ft)	<b>W=</b> White <b>CC=</b> Custom Color	<b>120v</b> <b>277v</b>	<b>See Options Below</b>

Example: **PTP-D-PBL-232T8-AC-4-W-120V**  
 PTP direct with parabolic louver for two 32 watt T8 lamps including two 48 inch aircraft cables and power feed four foot fixture finished in baked white enamel 120v electronic ballast less than 20% total harmonic distortion.

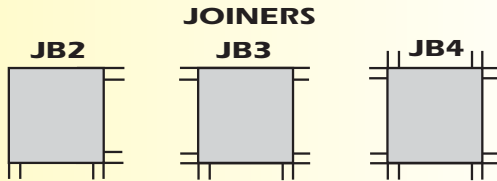
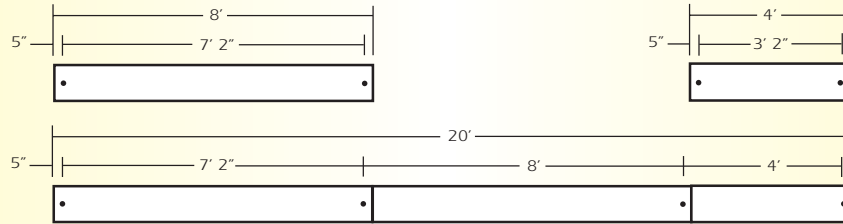
OPTIONS

- E10=** Electronic ballast, high power factor, thermally protected class P, sound rated A, < 10% total harmonic distortion
- PT3=** Parabolic reflector in semi-specular low iridescence aluminum
- DIM=** Dimming Ballast
- EPC=** Emergency Battery Pack
- EMC=** Emergency Circuit
- TCW=** Two Circuit Wiring
- OTH=** See Accessories for other options available

# General Illumination

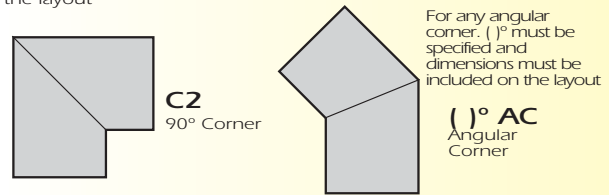
PTP-D

LINEAR SECTIONS AND SUSPENSION LOCATION

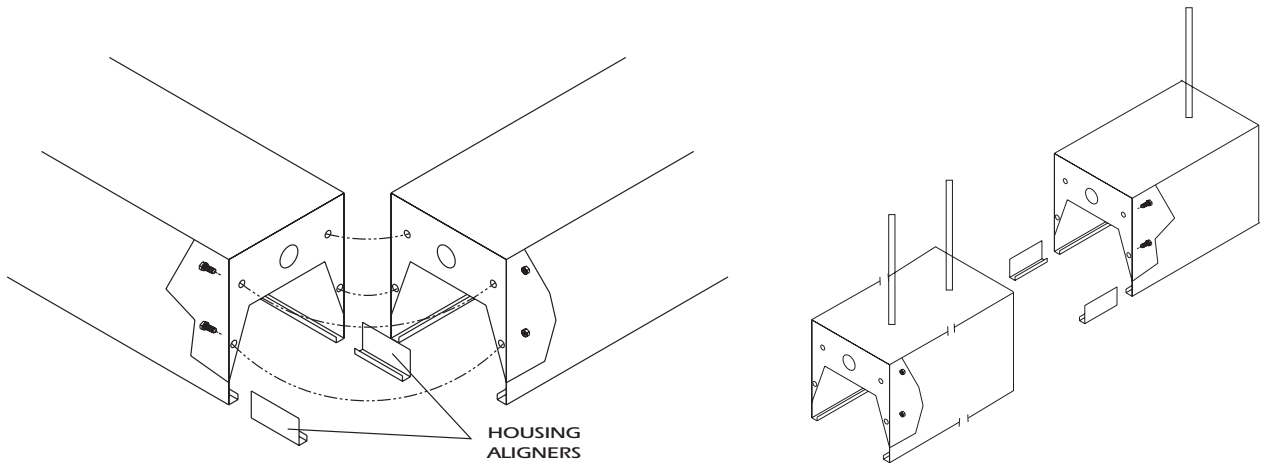


**JOINERS**  
 JB2-90° (Corner) Joiner Box  
 JB3-3-Way (Tee) Joiner Box  
 JB4-4-Way (Cross) Joiner Box

**CORNERS** Corners and fixture extensions are custom fabricated to precise dimensions. Please indicate the specific requirements on the layout

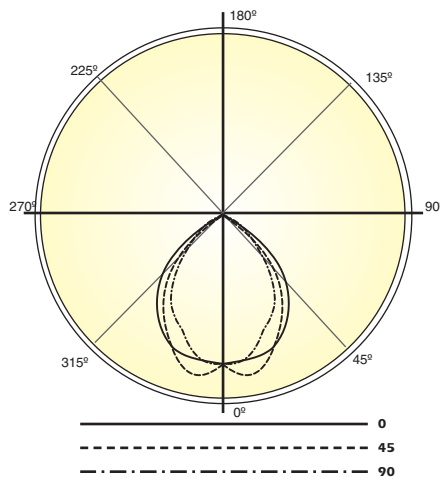


INSTALLATION PREPARATION



TYPICAL JOINT DETAIL

PHOTOMETRY



LAMP (2) 32W T8  
 LUMENS: 2900 PER LAMP  
 PARABOLIC LOUVER

**Candela Distribution:**

Vert. Angle	0	22.5	45	67.5	90
0	1566	1566	1566	1566	1566
5	1388	1355	1362	1696	1502
10	1353	1476	1499	1451	1440
15	1320	1251	1388	1283	1427
20	1472	1317	1191	1267	1256
25	1230	1216	1292	1235	1295
30	1192	1099	1053	1185	1093
35	1086	1053	992	976	925
40	896	878	787	783	729
45	832	687	620	619	598
50	550	475	398	429	471
55	347	298	257	340	367
60	128	98.7	139	273	335
65	46.6	38.3	63.7	140	199
70	10.1	13.2	21.6	44.4	73.0
75	3.92	6.75	7.30	15.0	12.5
80	0.000	4.07	5.43	1.44	5.76
85	0.000	0.500	0.590	0.300	1.09
90	2.46	0.000	0.000	0.000	0.000

Optical Distribution:  
 100% Direct

**Coefficients of Utilization - Zonal Cavity Method:**

pfc = 0.20

	.8	.7	.5	.3	.1	0													
pcc	.8	.7	.5	.3	.1	0													
pw	.7	.5	.3	.1	.5	.3	.1	.5	.3	.1	0								
RCR	0	53	53	53	53	52	52	52	52	50	50	50	48	48	48	46	46	46	45
1	50	48	47	46	49	47	46	45	46	45	44	44	43	42	42	42	41	41	40
2	47	44	41	39	46	43	41	39	41	40	38	40	39	37	39	38	36	36	36
3	43	40	37	34	42	39	36	34	38	35	33	36	35	33	35	34	32	32	32
4	40	36	33	30	39	35	32	30	34	32	30	33	31	29	32	30	29	28	28
5	37	33	29	27	37	32	29	27	31	28	26	30	28	26	30	27	26	25	25
6	35	30	26	24	34	29	26	24	29	26	24	28	25	23	27	25	23	22	22
7	32	27	24	21	32	27	24	21	26	23	21	26	23	21	25	23	21	20	20
8	30	25	22	19	30	25	22	19	24	21	19	24	21	19	23	21	19	18	18
9	28	23	20	18	28	23	20	18	22	19	17	22	19	17	21	19	17	17	17
10	27	21	18	16	26	21	18	16	21	18	16	20	18	16	20	18	16	15	15



Total Luminaire Optical  
 Parabolic Louver  
 Efficiency = 44.7%