

Archipelago

DESIGN METRO DESIGN GROUP WITH EIGHT INC.

Archipelago lounge seating features a simple, versatile design that works well in an informal work setting. Lounge chairs may be specified individually or connected with elliptical, fully upholstered arms or pivoting tablet arms. An ottoman is also available.

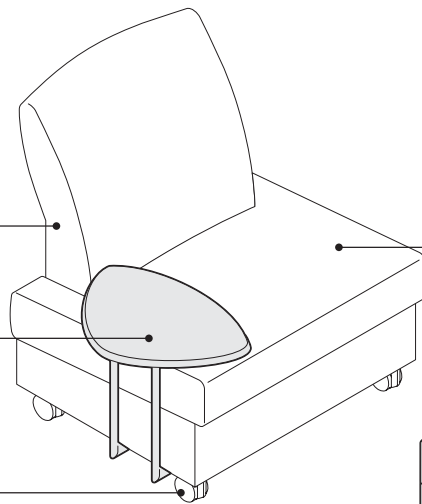
Back is fully upholstered. The position of the back cushion varies depending on the chair model.

Tablet arm pivots on a 60° angle. It has a wood core with a laminate or wood veneer surface.

Soft casters are non-locking. *Tip: casters are not recommended for connected lounge sections.*

Legs are constructed with steel and finished with any paint color.

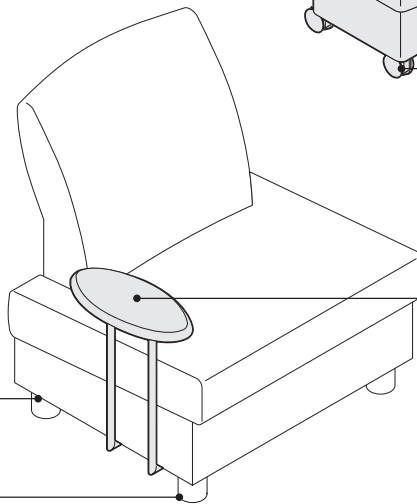
Adjustable glides are standard on models with legs. Bottom of glide is black plastic, with no adjustment.



Seat is fully upholstered.

Ottoman can be used as a mobile footrest, bench, or soft worksurface.

Casters are standard on ottoman.



Elliptical arms are available in wood. They can be positioned to the left or right side or intermediate between two seats. Fully upholstered arm is also available.

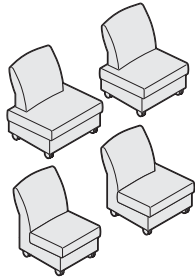
Actual Dimensions

| | Overall | | | Seat | | Seat height from floor: at front, at back | Back height from seat at back | Back width | Arm/tablet height |
|-------------------------------|---------|-------|--------------------|-------|-------|---|-------------------------------|------------|-------------------|
| | Depth | Width | Height | Depth | Width | | | | |
| Lounge | 29" | 32" | 35" | 20" | 32" | 17" - front 15" - back | 20" | 24" | 23½" |
| Lounge, left or right section | 29" | 28" | 35" | 20" | 28" | 17" - front 15" - back | 20" | 24" | 23½" |
| Lounge, straight section | 29" | 24" | 35" | 20" | 24" | 17" - front 15" - back | 20" | 24" | 23½" |
| Elliptical arm | 16" | 8" | 23½" when attached | N.A. | N.A. | N.A. | N.A. | N.A. | N.A. |
| Upholstered arm | 14" | 6" | 23½" when attached | N.A. | N.A. | N.A. | N.A. | N.A. | N.A. |
| Tablet arm | 19¾" | 13¾" | 23½" when attached | N.A. | N.A. | N.A. | N.A. | N.A. | N.A. |
| Ottoman | 23" | 23¾" | 16½" | N.A. | N.A. | N.A. | N.A. | N.A. | N.A. |

Archipelago

DESIGN METRO DESIGN GROUP WITH EIGHT INC.

Product Details



Lounge chair is available in four models – 32" W straight, left section, right section, and 24" W straight.

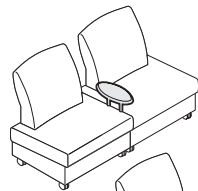


24" W straight-section lounge chair has a back cushion that is flush on both sides of the chair. It can stand-alone or adjoin to another chair with a straight side.

Tip: An arm or tablet arm cannot be attached to the straight-section lounge chair.



Ottoman is equipped with casters. It is intended as a footrest. However, it also provides a backless seating option.



32" W straight lounge chair has a back cushion that is centered on the back of the chair. It has a 4" extension on each side of the back cushion. It can stand-alone or be adjoined to another lounge chair. An arm or tablet arm may be attached to either side.



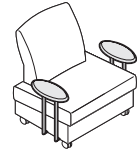
Left-section lounge chair has a back cushion that is flush on the right side and has a 4" extension on the left side when facing the front of the chair.

Tip: The right side will adjoin with a straight or right-section lounge chair. An arm or tablet arm may be attached to the extended left side.

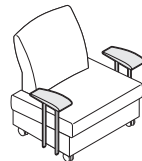
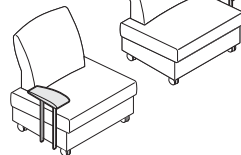
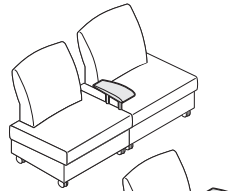


Right-section lounge chair has a back cushion that is flush on the left side and has a 4" extension on the right side when facing the front of the chair.

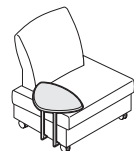
Tip: The left side will adjoin with a straight or left-section lounge chair. An arm or tablet arm may be attached to the extended right side.



Elliptical arm is available in two styles – intermediate or end. The intermediate arm attaches between adjoining chairs. The end arm is handed for use on the left- or right-hand side. It is available with a laminate or wood veneer surface.



Fully upholstered arm is available in two styles – intermediate or end. An intermediate arm attaches between adjoining chairs. The end arm is handed for use on the left- or right-hand side.



Tablet arm pivots on a 60° angle. It is handed for use on the left- or right-hand side. It is field installed.

Multiple fabrics can be specified on an individual unit for an additional fee per specified fabric. A lounge chair can have up to two additional fabrics. An ottoman can have one additional fabric.

Lounge chair

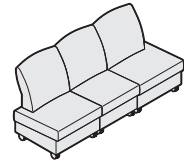
- Seat cushion and sides of seat cushion - no additional fee
- Back cushion (including the front, back, and sides of back cushion) - additional fee
- Base frame - additional fee
- Fully upholstered arms (if selected and ordered separately) - no additional fee

Ottoman

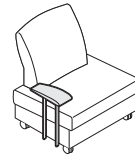
- Seat cushion and sides of seat cushion - no additional fee
 - Base frame - additional fee
- See *Archipelago Multi-Fabric Diagram and Yardage Request Form*, page 89.

Tip: Fully upholstered arms, if selected, can have a contrasting fabric. However, since they are ordered separate from the chair, simply order the arms with whatever kind of fabric is desired.

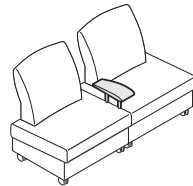
Connections



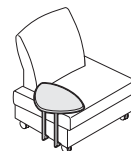
Straight side of a chair adjoins to another straight side.



End arm connects to the extended side of a chair. An end arm cannot attach to the straight side of a chair.



Intermediate arms connect between two adjoining chairs that have extended sides.



Tablet arm connects to the extended side of a chair. A tablet arm cannot attach to the straight side of a chair.

Casters are not recommended for connected lounge sections.

Archipelago *continued*

DESIGN METRO DESIGN GROUP WITH EIGHT INC.

Surface Materials

Seat, back, and base frame

- Fabric

Elliptical arm

- Laminate
- Wood

Fully upholstered arm

- Fabric

Tablet surface

- Laminate Grade 1
- Wood veneer

Support for arm or tablet

- Paint

Leg and glides

- Paint

Casters

- Black plastic only

Note: Refer to pages 418 for additional surface materials information.

Programs & Services

Fire code seating (FCS) modifications are available to meet CAL TB133 requirements.

▶See page 11.

Customer's Own Material/Leather (COM/COL) Program is available.

▶See *Surface Materials* for additional information, page 418.

Designers

Metro Design Group with Eight Inc.

Coalesse

Archipelago

DESIGN METRO DESIGN GROUP WITH EIGHT INC.

Archipelago Lounge Chairs and Ottoman

DESIGN METRO DESIGN GROUP WITH EIGHT INC.

Tip: Arms and tablet arms, if selected, should be entered on consecutive lines of the purchase order immediately following the lounge chair to which they will be applied. Components for identical chair configurations may be grouped together on consecutive lines.

Tip: Begin a new series of line items for each chair configuration.

Tip: For veneer tops, edge and top will be the same finish color. For laminate tops, edge will always be black.

Tip: When specifying fabric in different price grades, the highest price grade prevails.

Tip: Arms are ordered separately. They can be specified with matching or contrasting upholstery.

Tip: The COM yards and COL square footage listed on these pages reflect the requirements for a single fabric that are based on non-directional 54"W material applied railroaded. For multi-fabric COM requirements, please refer to Multi-Fabric Diagram and Yardage Request Form.

► Page 89

Tip: Fully upholstered arms do not require additional COM yardage or COL square footage.

Tip: Handedness is determined while facing the chair.

Tip: Fabrics and leathers will appear loose with comfort wrinkles when upholstered.



| Standard Includes | Required to Specify |
|--|--|
| <ul style="list-style-type: none"> ► Need help? Product details, page 82 • Lounge chair: <ul style="list-style-type: none"> - Seat, back, and base frame: fabric or leather - Legs and glides, if selected: paint - Casters, if selected: black plastic only • Arm, if selected: <ul style="list-style-type: none"> - Elliptical arm: laminate (Grade 1) or wood veneer - Fully upholstered arm: fabric or leather - Support: paint • Tablet arm, if selected: <ul style="list-style-type: none"> - Surface: laminate (Grade 1) or wood veneer - Support: paint • Ottoman: <ul style="list-style-type: none"> - Seat: fabric or leather - Casters: black plastic only | <ol style="list-style-type: none"> 1 Style number 2 Number of fabrics if contrasting fabric style number is selected 3 Fabric or leather color number for seat, back, and fully upholstered arm or ottoman, if selected 4 Paint color number for legs and glides, base frame and support, if selected 5 Laminate or wood color number for elliptical arm or tablet arm, if selected <p>► See <i>Hardwood and Veneer Matrix</i>, page 456</p> <p>6 Options, if selected (see below)</p> <p>► See <i>Surface Materials</i>, page 418.</p> |

| Options | U.S. Price | Required to Specify |
|---|------------|---|
| Surface Materials <ul style="list-style-type: none"> • Contrasting fabric +\$100 per fabric | | Add suffix K to the style number and select fabric color number. |
| Contrasting upholstery on ottoman | | |
| <ul style="list-style-type: none"> • Contrasting fabric on base frame +\$100 | | Specify fabric color number for baseframe. ► See Archipelago Multi-Fabric Diagram and Yardage Request Form, page 89. |
| Fire code seating (CAL TB133) | | |
| <ul style="list-style-type: none"> • Lounge chair +\$270 • Ottoman +\$202 | | Specify with CAL TB133. Specify with CAL TB133. ► See CAL TB133 Compliance Program Chart in resources section, page 14. |

| Specification Information | | | | | | | | | | | | | |
|---------------------------|------------------|---|---|---|---|----|----|----|----|----|--|-----------------|---|
| Style Number | U.S. Base Prices | | | | | | | | | | | Leather Grades: | |
| | Fabric Grades: | | | | | | | | | | | COL | C |
| | COM | 6 | 7 | 8 | 9 | 10 | 11 | 12 | 13 | 14 | | | |

32"W Straight Lounge Chair

With Casters

| | | | | | | | | | | | | | |
|------|--------|--------|--------|--------|--------|--------|--------|--------|--------|--------|--------|--------|--------|
| 910C | \$1790 | \$1925 | \$1982 | \$2026 | \$2137 | \$2197 | \$2247 | \$2358 | \$2552 | \$2649 | \$2041 | \$3264 | \$3495 |
|------|--------|--------|--------|--------|--------|--------|--------|--------|--------|--------|--------|--------|--------|

With Glides

| | | | | | | | | | | | | | |
|------|--------|--------|--------|--------|--------|--------|--------|--------|--------|--------|--------|--------|--------|
| 910G | \$1790 | \$1925 | \$1982 | \$2026 | \$2137 | \$2197 | \$2247 | \$2358 | \$2552 | \$2649 | \$2041 | \$3264 | \$3495 |
|------|--------|--------|--------|--------|--------|--------|--------|--------|--------|--------|--------|--------|--------|

COM/yds = 4¼, COL/sq ft = 77

28"W Left-Section Lounge Chair

With Casters

| | | | | | | | | | | | | | |
|-------|--------|--------|--------|--------|--------|--------|--------|--------|--------|--------|--------|--------|--------|
| 910LC | \$1752 | \$1887 | \$1944 | \$1988 | \$2099 | \$2159 | \$2209 | \$2320 | \$2514 | \$2611 | \$2000 | \$3362 | \$3617 |
|-------|--------|--------|--------|--------|--------|--------|--------|--------|--------|--------|--------|--------|--------|

With Glides

| | | | | | | | | | | | | | |
|-------|--------|--------|--------|--------|--------|--------|--------|--------|--------|--------|--------|--------|--------|
| 910LG | \$1752 | \$1887 | \$1944 | \$1988 | \$2099 | \$2159 | \$2209 | \$2320 | \$2514 | \$2611 | \$2000 | \$3362 | \$3617 |
|-------|--------|--------|--------|--------|--------|--------|--------|--------|--------|--------|--------|--------|--------|

COM/yds = 4¼, COL/sq ft = 85

► Specification Information, continued on next page

Archipelago Lounge Chairs and Ottoman

DESIGN METRO DESIGN GROUP WITH EIGHT INC.

Tip: Handedness is determined while facing the chair.



► Specification Information, continued from previous page

Specification Information

| Style Number | U.S. Base Prices | | | | | | | | | | Leather Grades: | | |
|--------------|------------------|---|---|---|---|----|----|----|----|----|-----------------|---|---|
| | Fabric Grades: | | | | | | | | | | COL | C | E |
| | COM | 6 | 7 | 8 | 9 | 10 | 11 | 12 | 13 | 14 | | | |

28"W Right-Section Lounge Chair

With Casters

| | | | | | | | | | | | | | |
|-------|--------|--------|--------|--------|--------|--------|--------|--------|--------|--------|--------|--------|--------|
| 910RC | \$1752 | \$1887 | \$1944 | \$1988 | \$2099 | \$2159 | \$2209 | \$2320 | \$2514 | \$2611 | \$2000 | \$3362 | \$3617 |
|-------|--------|--------|--------|--------|--------|--------|--------|--------|--------|--------|--------|--------|--------|

With Glides

| | | | | | | | | | | | | | |
|-------|--------|--------|--------|--------|--------|--------|--------|--------|--------|--------|--------|--------|--------|
| 910RG | \$1752 | \$1887 | \$1944 | \$1988 | \$2099 | \$2159 | \$2209 | \$2320 | \$2514 | \$2611 | \$2000 | \$3362 | \$3617 |
|-------|--------|--------|--------|--------|--------|--------|--------|--------|--------|--------|--------|--------|--------|

COM/yds = 4¼, COL/sq ft = 85

24"W Straight-Section Lounge Chair

With Casters

| | | | | | | | | | | | | | |
|-------|--------|--------|--------|--------|--------|--------|--------|--------|--------|--------|--------|--------|--------|
| 910XC | \$1642 | \$1747 | \$1794 | \$1830 | \$1921 | \$1971 | \$2012 | \$2103 | \$2263 | \$2343 | \$1845 | \$2997 | \$3207 |
|-------|--------|--------|--------|--------|--------|--------|--------|--------|--------|--------|--------|--------|--------|

With Glides

| | | | | | | | | | | | | | |
|-------|--------|--------|--------|--------|--------|--------|--------|--------|--------|--------|--------|--------|--------|
| 910XG | \$1642 | \$1747 | \$1794 | \$1830 | \$1921 | \$1971 | \$2012 | \$2103 | \$2263 | \$2343 | \$1845 | \$2997 | \$3207 |
|-------|--------|--------|--------|--------|--------|--------|--------|--------|--------|--------|--------|--------|--------|

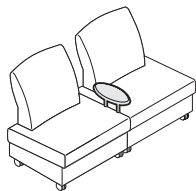
COM/yds = 3½, COL/sq ft = 70

Specification Information

| Dimensions D W H | Style Number | U.S. Base Prices | | |
|---------------------|--------------|------------------|--------|-------------|
| | | Lam 1 | Wood 1 | Upholstered |

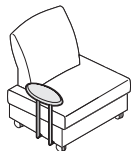
Elliptical Intermediate Arm

| | | | | | | |
|-----|----|------|-------|-------|-------|------|
| 16" | 8" | 23½" | 910IA | \$327 | \$360 | N.A. |
|-----|----|------|-------|-------|-------|------|



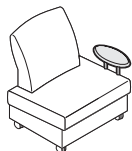
Left-Handed Elliptical End Arm

| | | | | | | |
|-----|----|------|--------|-------|-------|------|
| 16" | 8" | 23½" | 910EAL | \$327 | \$360 | N.A. |
|-----|----|------|--------|-------|-------|------|



Right-Handed Elliptical End Arm

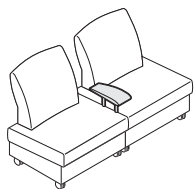
| | | | | | | |
|-----|----|------|--------|-------|-------|------|
| 16" | 8" | 23½" | 910EAR | \$327 | \$360 | N.A. |
|-----|----|------|--------|-------|-------|------|



Fully Upholstered Intermediate Arm

| | | | | | | |
|-----|----|------|--------|------|------|-------|
| 14" | 6" | 23½" | 910UIA | N.A. | N.A. | \$534 |
|-----|----|------|--------|------|------|-------|

► Specification Information, continued on next page



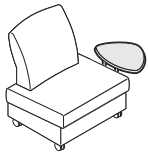
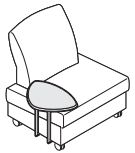
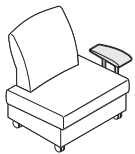
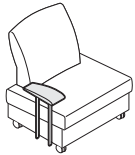
Tip: Fully upholstered arms do not require additional COM yardage or COL square footage.

Archipelago Lounge Chairs and Ottoman *continued*

DESIGN METRO DESIGN GROUP WITH EIGHT INC.

Tip: Handedness is determined while facing the chair.

Tip: Fabrics and leathers will appear loose with comfort wrinkles when upholstered.



► Specification Information, continued from previous page

Specification Information

| Dimensions | | | Style Number | U.S. Base Prices | | |
|------------|---|---|--------------|------------------|--------|-------------|
| D | W | H | | Lam 1 | Wood 1 | Upholstered |

Left-Handed Fully Upholstered End Arm

| | | | | | | |
|-----|----|------|---------|------|------|-------|
| 14" | 6" | 23½" | 910UEAL | N.A. | N.A. | \$534 |
|-----|----|------|---------|------|------|-------|

Right-Hand Fully Upholstered End Arm

| | | | | | | |
|-----|----|------|---------|------|------|-------|
| 14" | 6" | 23½" | 910UEAR | N.A. | N.A. | \$534 |
|-----|----|------|---------|------|------|-------|

Left-Hand Tablet Arm

| | | | | | | |
|------|------|------|--------|-------|-------|------|
| 19¾" | 13¾" | 23½" | 910TAL | \$609 | \$703 | N.A. |
|------|------|------|--------|-------|-------|------|

Right-Hand Tablet Arm

| | | | | | | |
|------|------|------|--------|-------|-------|------|
| 19¾" | 13¾" | 23½" | 910TAR | \$609 | \$703 | N.A. |
|------|------|------|--------|-------|-------|------|

Specification Information

| Style Number | U.S. Base Prices | | | | | | | | | | Leather Grades: | | |
|--------------|------------------|---|---|---|----|----|----|----|----|--|-----------------|---|---|
| | Fabric Grades: | | | | | | | | | | COL | C | E |
| COM | 6 | 7 | 8 | 9 | 10 | 11 | 12 | 13 | 14 | | | | |

Ottoman

| | | | | | | | | | | | | | |
|-----|-------|-------|-------|-------|-------|-------|-------|-------|--------|--------|-------|--------|--------|
| 911 | \$703 | \$748 | \$775 | \$796 | \$848 | \$876 | \$900 | \$952 | \$1043 | \$1089 | \$820 | \$1616 | \$1748 |
|-----|-------|-------|-------|-------|-------|-------|-------|-------|--------|--------|-------|--------|--------|

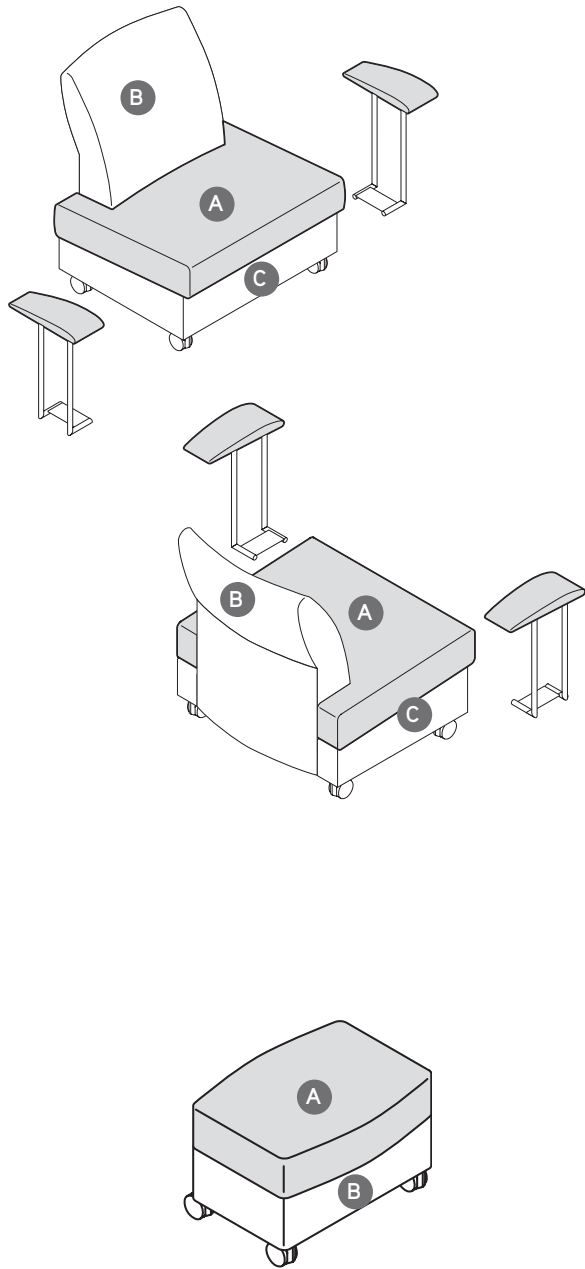
COM/yds = 2.5, COL/sq ft = 55



For Canadian Pricing
 Multiply U.S. Price by the Canadian price factor.
 ► See page 1 for details.

Archipelago Multi-Fabric Diagram and Yardage Request Form

DESIGN METRO DESIGN GROUP WITH EIGHT INC.



Lounge

TO: _____

FROM: _____

DATE: _____

FAX...888.413.5161

A Seat (upholstery selections default for entire unit if B is not selected): _____

B Back: _____

C Baseframe: _____

**Arms ordered as separate option.*

**\$100 U.S. list per contrasting fabric specified. List price based on highest fabric grade usage.*

Ottoman

TO: _____

FROM: _____

DATE: _____

FAX...888.413.5161

A Seat (upholstery selections default for entire unit if B is not selected): _____

B Baseframe: _____

Archipelago Multi-Fabric Yardage

DESIGN METRO DESIGN GROUP WITH EIGHT INC.

Multi-Fabric Yardage

| CHAIR MODEL | STYLE NUMBER | COM YDS* | | |
|---------------------------------------|--------------|--------------|--------------|------------|
| | | SEAT CUSHION | BACK CUSHION | BASE FRAME |
| Lounge with casters | 910C | 3 | 2 | 2 1/2 |
| Lounge with glides | 910G | 3 | 2 | 2 1/2 |
| Lounge with casters, left section | 910LC | 3 | 2 | 2 1/2 |
| Lounge with glides, left section | 910LG | 3 | 2 | 2 1/2 |
| Lounge with casters, right section | 910RC | 3 | 2 | 2 1/2 |
| Lounge with glides, right section | 910RG | 3 | 2 | 2 1/2 |
| Lounge with casters, straight section | 910XC | 3 | 2 | 2 1/2 |
| Lounge with glides, straight section | 910XG | 3 | 2 | 2 1/2 |
| Ottoman | 911 | 1 1/4 | N.A. | 1 1/4 |

*Fabric yardage is based on non-directional/solid fabrics. Use conversion chart below for repeat/printed fabric yardage.

Non-standard fabric requirements

Yardage requirements shown are based on non-directional 54" w material applied railroaded. Coalesse will apply fabric railroaded unless instructed otherwise on the dealer's purchase order. The following conversion chart should be used to determine yardage requirements when COM has a repeat of 2" or more. Please contact Coalesse customer service for a yardage quotation if the fabric is less than 54" wide, has a repeat of more than 24", or if the fabric must be cut-right.

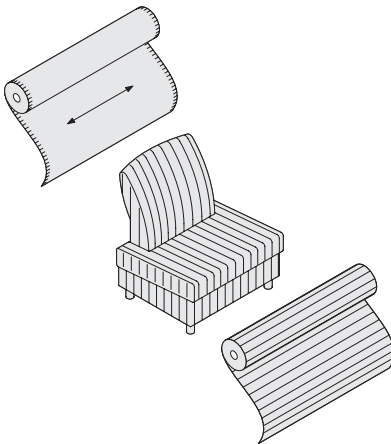
CONVERSION CHART

| PRODUCT | REPEAT | | |
|--------------------|--------|---------|----------|
| | 2"- 8" | 9"- 14" | 15"- 24" |
| All other products | 15% | 25% | 35% |

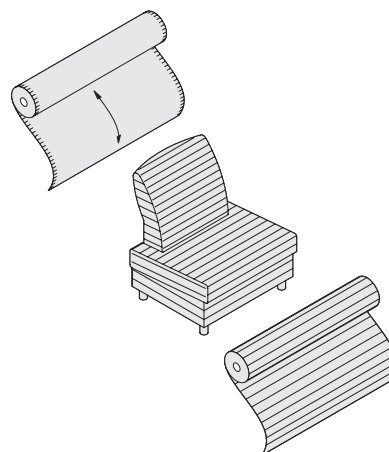
Yardage quotations will also be provided for order of 10 or more pieces.

Cutting direction guidelines

Cutting direction is based on the fabric width and the way the fabric is cut from the roll and applied to Coalesse products. There are two cutting directions: railroaded or cut-right.



Horizontal or railroaded (across roll, warp horizontal) means fabric is cut across the roll; selvedges are on the top and bottom.



Vertical or cut-right (down roll, warp vertical) means fabric is cut in the same direction it is woven; selvedges are on the left and right sides.

Coalesse reserves the right to railroad or apply fabric according to weave unless instructions specify otherwise. Fabrics are railroaded when possible to avoid seams in large upholstered areas and/or single cushion units. If a fabric is questionable, a cutting of adequate size showing full repeat (if any) should be sent to Coalesse for a fabric requirement quotation.