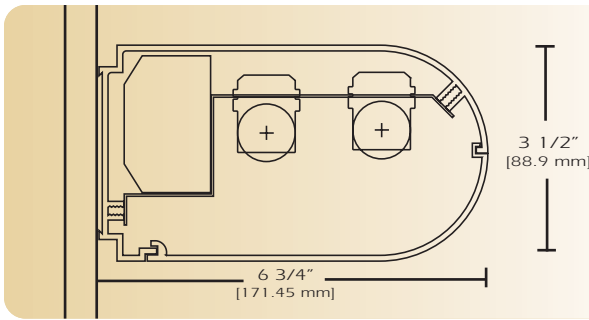


Ovals

AD-356-D-WM



TYPE _____

FEATURES

The AD356 oval aluminum luminaire is distinguished by its low profile and contemporary design. This high quality luminaire is suitable for most lighting systems and can be wall mounted to suit any project. The highly efficient design produces a uniform direct light distribution. The AD356 is ideal where style quality and performance applications apply.

SPECIFICATIONS

Housing: One piece heavy gauge extruded aluminum 6063T5 alloy welded construction forming a 3 1/2" x 6 3/4" oval profile. Finished end caps are welded to housing with no exposed hardware or knockouts.

Reflector: Die formed 20-gauge cold rolled steel minimum 90% reflectivity finished in high gloss baked white enamel.

Shielding: Acrylic ribbed lens supplied as standard. Radial Baffle optional.

Electrical: Ballast is electronic, high power factor, thermally protected class P, sound rated A, with less than 20% total harmonic distortion. The minimum number of ballasts will be used unless otherwise specified.

Mounting: Standard mounting holes are 5 3/8" in from each end for ease of installation.

Finish: Fixture housing and steel components are finished in baked white enamel applied over a five-stage pretreatment process.

Lamps: Fixtures are provided for use with one or two 32 watt T8 lamps or 54 watt T5 HO lamps. (Supplied by Others)

Certification: Luminaires are U. L. Listed, C. S. A. certified and are Union Made in the United States of America I.B.E.W.

ORDERING GUIDE

MODEL NO.	DIRECTION	SHIELDING	LAMPS	MOUNTING	LENGTH	FINISH	VOLTAGE	OPTIONS
AD-356	D							
AD-356	D= Direct	ARL= Acrylic Ribbed Lens RAB= Radial Baffle	132 T8 232 T8 154T5 HO 254T5 HO	WM= Wall Mounted	4= ft 8= ft	W= White CC= Custom Color	120v 277v	See Options Below
			O= Other Specify	See Accessories	for other, please enter row length (eg. 48=48ft)			

Example: **AD-356-D-ARL-232T8-WM-4-W-120V**
 AD356 direct with acrylic ribbed lens for two 32 watt T8 lamps wall mounted four foot fixture finished in baked white enamel 120v electronic ballast less than 20% total harmonic distortion.

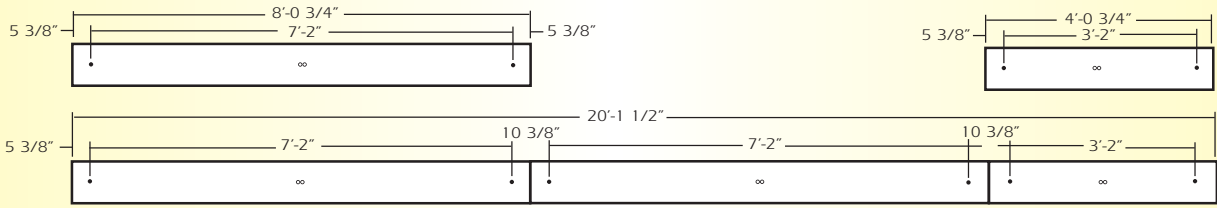
OPTIONS

- E10=** Electronic ballast, high power factor, thermally protected class P, sound rated A, < 10% total harmonic distortion
- DIM=** Dimming Ballast
- EPC=** Emergency Battery Pack
- EMC=** Emergency Circuit
- TCW=** Two Circuit Wiring
- TDW=** Tandem Wiring
- OTH=** See Accessories for other options available

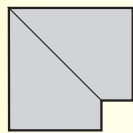
Ovals

AD-356-D-WM

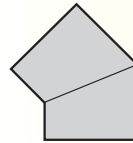
LINEAR SECTIONS AND SUSPENSION LOCATION



CORNERS Corners and fixture extensions are custom fabricated to precise dimensions. Please indicate the specific requirements on the layout



C2
90° Corner

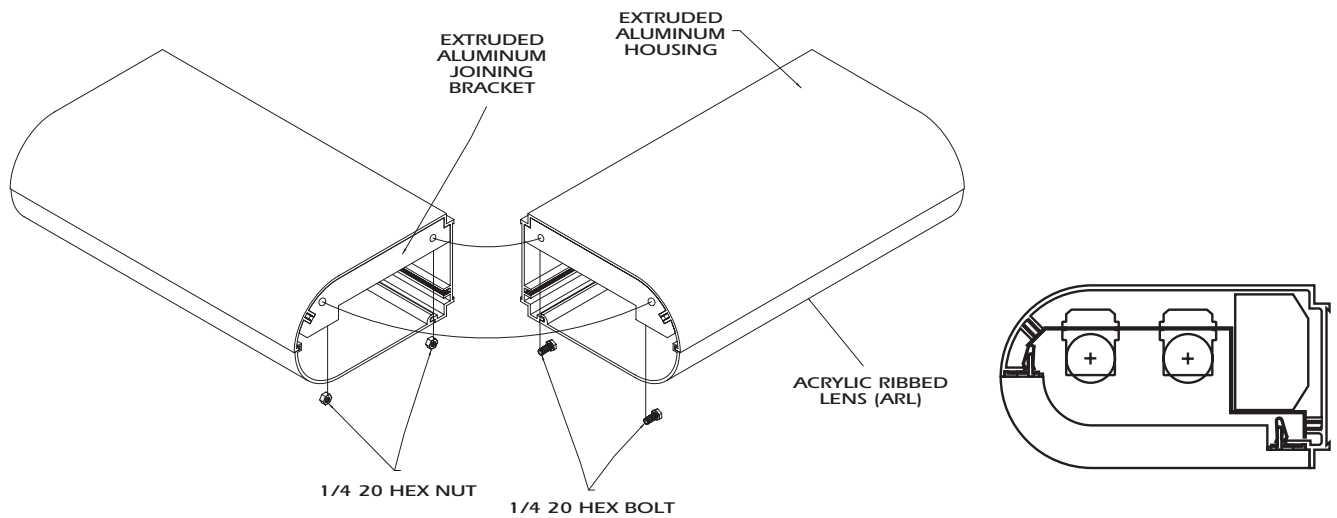


()° AC
Angular Corner

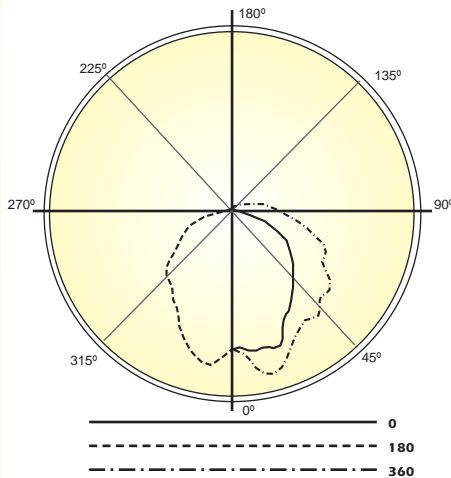
For any angular corner, ()° must be specified and dimensions must be included on the layout

For any pattern, a layout must accompany the order.

INSTALLATION PREPARATION



PHOTOMETRY



LAMP (2) 32W T8
LUMENS: 2900 PER LAMP
ARL-LENS

Candela Distribution:

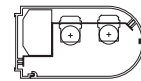
Vert. Angle	0	90	180	270	360
0	926	926	926	926	926
5	925	988	1039	1008	970
10	945	1054	1044	1028	1084
15	939	1045	990	1085	1129
20	954	996	1037	1054	1069
25	814	871	984	1001	969
30	763	796	866	933	911
35	689	737	824	874	895
40	630	713	778	903	910
45	586	658	699	838	833
50	534	612	687	785	846
55	471	551	637	712	790
60	426	501	570	686	702
65	360	443	505	632	691
70	298	394	464	562	638
75	212	310	393	503	531
80	117	233	322	414	456
85	38.4	140	249	339	365
90	10.4	91.5	188	267	305

Optical Distribution:
100% Direct

Coefficients of Utilization - Zonal Cavity Method:

pfc = 0.20

pcc	.8	.7	.5	.3	.1	0	
pw	.7 .5 .3 .1	.7 .5 .3 .1	.5 .3 .1	.5 .3 .1	.5 .3 .1	.5 .3 .1	0
RCR	0	65 65 65 65	63 63 63 63	59 59 59	56 56 56	53 53 53	52
1	58 55 53 50	56 54 51 49	51 49 47	48 46 45	46 44 43	42	
2	53 48 43 40	51 46 42 39	44 41 38	41 39 36	39 37 35	34	
3	48 41 37 33	46 40 36 32	38 34 31	36 33 30	34 32 29	28	
4	43 36 31 27	42 36 31 27	34 30 26	32 29 26	31 27 25	24	
5	40 32 27 23	38 32 27 23	30 26 23	29 25 22	27 24 22	20	
6	37 29 24 20	35 28 24 20	27 23 20	26 22 19	25 21 19	18	
7	34 26 21 18	33 26 21 18	25 20 17	24 20 17	23 19 17	15	
8	32 24 19 16	31 23 19 16	22 18 15	22 18 15	21 17 15	14	
9	30 22 17 14	29 21 17 14	21 17 14	20 16 14	19 16 13	12	
10	28 20 16 13	27 20 16 13	19 15 13	18 15 12	18 14 12	11	



Total Luminaire Optical Efficiency = 55.6%