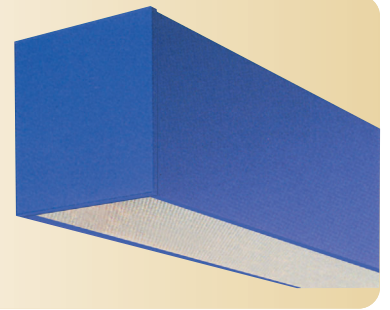
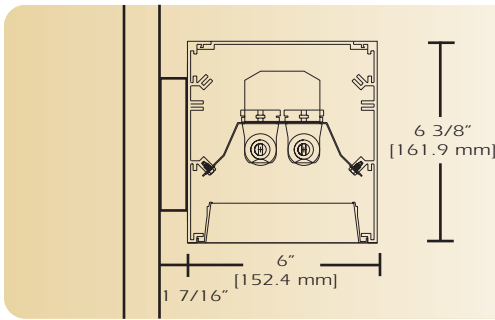


Squares

AD-66-D-WM



TYPE _____

FEATURES

The AD 66 architectural linear series are extraordinarily efficient aluminum luminaires. The AD 66 D WM is designed for wall mounting. This series can be mounted individually, in perfectly aligned continuous rows, or in any combination of patterns. This series is available with an almost limitless variety of shielding. The AD 66 series is an ideal solution for open spaces and provides maximum design versatility.

SPECIFICATIONS

- Housing:** One piece heavy gauge extruded aluminum 6063T5 alloy welded construction forming a 6" x 6 3/8" profile. Finished end caps are welded to housing with no exposed hardware or knockouts.
- Reflector:** Die formed 20-gauge cold rolled steel minimum 90% reflectivity finished in high gloss baked white enamel.
- Shielding:** Parabolic louver is semi-specular low iridescence aluminum 1 1/4" x 2.0" O.C. with 24 cells per 4' section. Four spring clips secure snap in baffle including two tethers.
- Electrical:** Ballast is electronic, high power factor, thermally protected class P, sound rated A, with less than 20% total harmonic distortion. The minimum number of ballasts will be used unless otherwise specified.
- Mounting:** Provided with wall mounting brackets measuring 5" square by 1 7/16" deep. Finished in white to match housing.
- Finish:** Fixture housing and steel components are finished in baked white enamel applied over a five-stage pretreatment process.
- Lamps:** Fixtures are provided for use with one or two 32 watt T8 lamps or 54 watt T5 HO lamps. (Supplied by Others)
- Certification:** Luminaires are U. L. Listed, C. S. A. certified and are Union Made in the United States of America I.B.E.W.

ORDERING GUIDE

MODEL NO.	DIRECTION	SHIELDING	NO. OF LAMPS	LAMPS	MOUNTING	LENGTH	FINISH	VOLTAGE	OPTIONS
AD66	D								
AD66	D= Direct	PBL=Parabolic Louver SCB= Steel Cross Baffle PRS=Prismatic Acrylic WOA= White Opal Acrylic	1= 1 2= 2	17 T8 (2') 25 T8 (3') 32 T8 (4') 40 T8 (5') 28 T5 (4') 54 T5 HO (4')	WM= Wall See Accessories	2= ft 3= ft 4= ft 5= ft 6= ft 8= ft for other, please enter row length (eg. 48=48ft)	W= White CC= Custom Color	120v 277v	See Options Below

Example: **AD-66-D-PBL-232T8-WM-4-W-120V**
 Example: AD-66 direct with parabolic louver for two 32 watt T8 lamps wall mounted four foot fixture finished in baked white enamel 120v electronic ballast less than 20% total harmonic distortion.

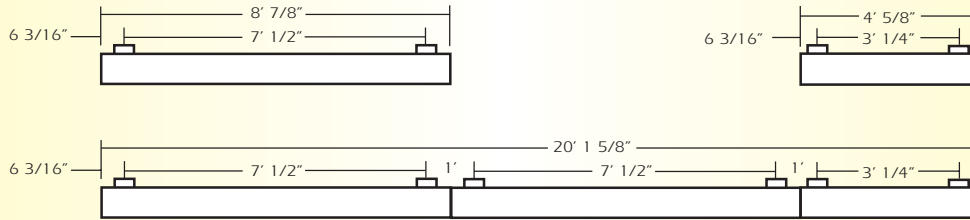
OPTIONS

- E10=** Electronic ballast, high power factor, thermally protected class P, sound rated A, < 10% total harmonic distortion
- DIM=** Dimming Ballast
- EPC=** Emergency Battery Pack
- EMC=** Emergency Circuit
- TCW=** Two Circuit Wiring
- OTH=** See Accessories for other options available

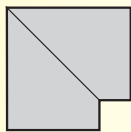
Squares

AD-66-D-WM

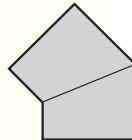
LINEAR SECTIONS AND SUSPENSION LOCATION



CORNERS Corners and fixture extensions are custom fabricated to precise dimensions. Please indicate the specific requirements on the layout



C2
90° Corner

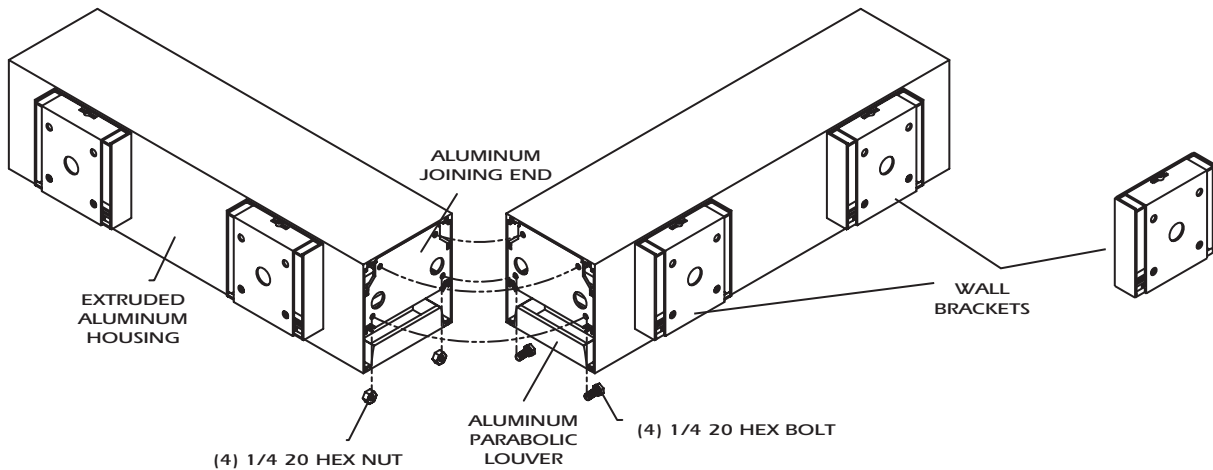


()° AC
Angular Corner

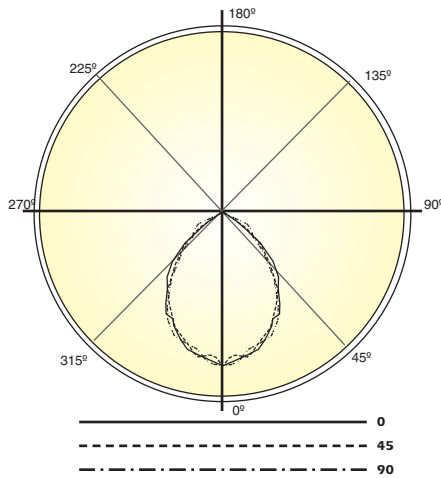
For any angular corner, ()° must be specified and dimensions must be included on the layout

For any pattern, a layout must accompany the order.

INSTALLATION PREPARATION



PHOTOMETRY



LAMP (2) 32W T8
LUMENS: 2900 PER LAMP
PARABOLIC LOUVER

Candela Distribution:

Vert. Angle	0	22.5	45	67.5	90
0	1497	1497	1497	1497	1497
5	1445	1478	1408	1499	1468
10	1412	1381	1434	1420	1375
15	1370	1403	1343	1339	1333
20	1279	1291	1269	1293	1315
25	1166	1218	1162	1205	1217
30	1108	1100	1039	1074	1093
35	943	939	913	885	907
40	839	810	740	710	714
45	676	651	555	529	537
50	455	447	366	384	416
55	218	225	235	309	347
60	68.7	83.8	144	238	322
65	19.4	38.1	75.1	147	189
70	11.9	21.3	37.9	50.3	52.4
75	5.59	12.9	22.7	23.2	11.6
80	2.23	8.18	12.9	11.2	5.21
85	0.720	1.87	4.01	5.17	2.28
90	0.250	0.110	0.240	0.370	0.000

Optical Distribution:
100% Direct

Coefficients of Utilization - Zonal Cavity Method:

pfc = 0.20

	.8	.7	.5	.3	.1	0													
pcc	.8	.7	.5	.3	.1	0													
pw	.7	.5	.3	.1	.5	.3	.1	.5	.3	.1	0								
RCR	0	50	50	50	50	49	49	49	49	46	46	46	44	44	44	43	43	43	42
1	47	45	44	43	43	46	44	43	42	43	42	41	41	40	40	40	39	38	38
2	44	41	39	37	37	43	40	38	37	39	37	36	38	36	35	36	35	34	33
3	41	37	34	32	32	40	36	34	32	35	33	31	34	32	31	33	32	30	30
4	38	34	31	28	28	37	33	30	28	32	30	28	31	29	28	30	29	27	26
5	35	31	28	25	25	34	30	27	25	29	27	25	29	26	25	28	26	24	24
6	33	28	25	23	23	32	28	25	23	27	24	22	26	24	22	26	24	22	21
7	31	26	23	20	20	30	25	22	20	25	22	20	24	22	20	24	22	20	19
8	29	24	21	19	18	28	24	21	18	23	20	18	22	20	18	22	20	18	17
9	27	22	19	17	16	26	22	19	17	21	19	17	21	18	17	20	18	17	16
10	25	20	17	15	14	25	20	17	15	20	17	15	19	17	15	19	17	15	15



Total Luminaire Optical Efficiency = 42.2%