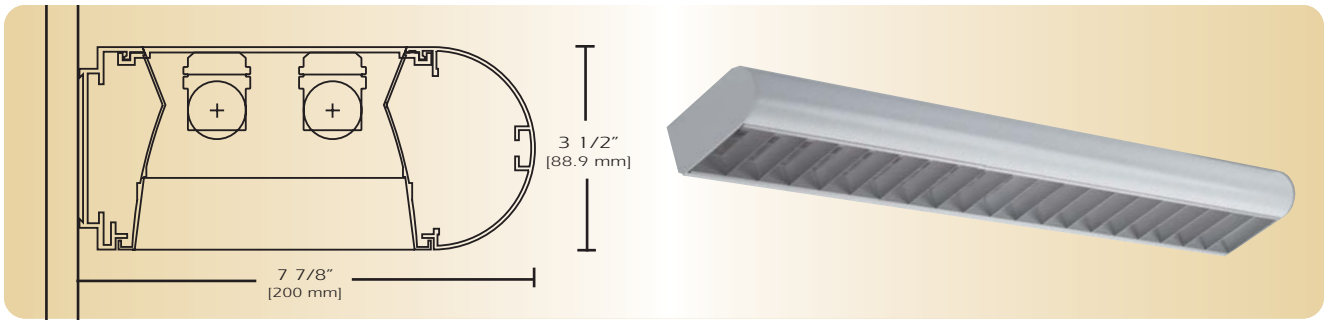


Ovals

AD-357-D-WM



TYPE _____

FEATURES

The AD357 oval aluminum luminaire is distinguished by its low profile and contemporary design. This high quality luminaire is suitable for most lighting systems and can be wall mounted to suit any project. The highly efficient design produces a uniform direct light distribution. The AD357 is ideal where style quality and performance applications apply.

SPECIFICATIONS

Housing: Three piece heavy gauge extruded aluminum 6063T5 alloy welded construction forming a 3 1/2" x 7 7/8" oval profile. Finished end caps are welded to housing with no exposed hardware or knockouts.

Reflector: Die formed 20-gauge cold rolled steel minimum 90% reflectivity finished in high gloss baked white enamel.

Shielding: Parabolic louver is semi-specular low iridescence aluminum 1 1/4" x 2.4" O.C. with 20 cells per 4' section. Four spring clips secure snap in baffle including two tethers.

Electrical: Ballast is electronic, high power factor, thermally protected class P, sound rated A, with less than 20% total harmonic distortion. The minimum number of ballasts will be used unless otherwise specified.

Mounting: Standard mounting holes are 5 1/4" in from each end for ease of installation.

Finish: Fixture housing and steel components are finished in baked white enamel applied over a five-stage pretreatment process.

Lamps: Fixtures are provided for use with one, two or three 32 watt T8 lamps or 54 watt T5 HO lamps. (Supplied by Others)

Certification: Luminaires are U. L. Listed, C. S. A. certified and are Union Made in the United States of America I.B.E.W.

ORDERING GUIDE

MODEL NO.	DIRECTION	SHIELDING	LAMPS	MOUNTING	LENGTH	FINISH	VOLTAGE	OPTIONS
AD-357	D							
AD-357	D= Direct	PBL= Parabolic Louver SCB= Steel Cross Baffle PRS= Prismatic Acrylic WOA= White Opal Acrylic	132 T8 232 T8 332 T8 154T5 HO 254T5 HO 354T5 HO O= Other Specify	WM= Wall Mounted See Accessories	4= ft 8= ft for other, please enter row length (eg. 48=48ft)	W= White CC= Custom Color	120v 277v	See Options Below

Example: **AD-357-D-PBL-232T8-WM-4-W-120V**
 AD357 direct with parabolic louver for two 32 watt T8 lamps wall mounted four foot fixture finished in baked white enamel 120v electronic ballast less than 20% total harmonic distortion.

OPTIONS

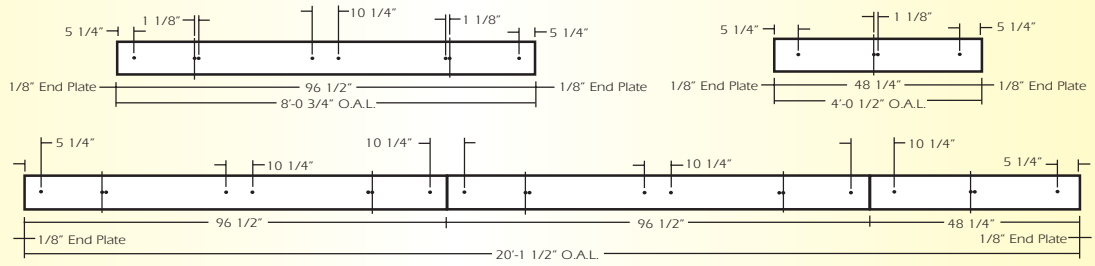
- E10=** Electronic ballast, high power factor, thermally protected class P, sound rated A, < 10% total harmonic distortion
- DIM=** Dimming Ballast
- EPC=** Emergency Battery Pack
- EMC=** Emergency Circuit
- TCW=** Two Circuit Wiring
- TDW=** Tandem Wiring
- OTH=** See Accessories for other options available

Ovals

AD-357-D-WM

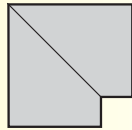
LINEAR SECTIONS AND SUSPENSION LOCATION

WALL MOUNTING

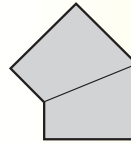


CORNERS

Corners and fixture extensions are custom fabricated to precise dimensions. Please indicate the specific requirements on the layout



C2
90° Corner

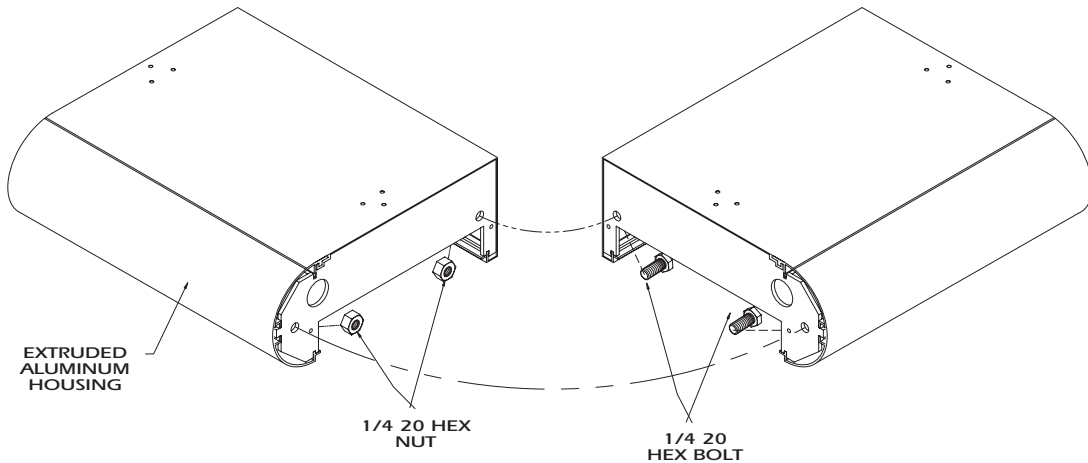


()° AC
Angular Corner

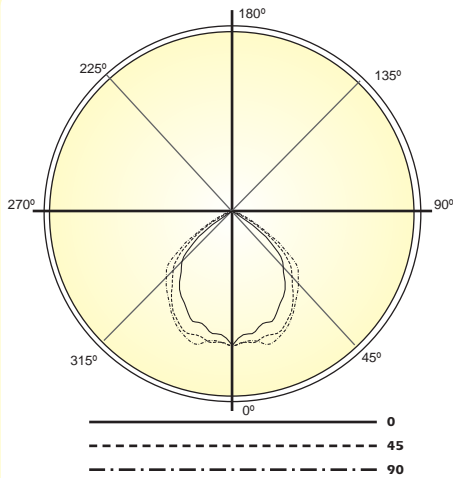
For any angular corner, ()° must be specified and dimensions must be included on the layout

For any pattern, a layout must accompany the order.

INSTALLATION PREPARATION



PHOTOMETRY



LAMP (2) 32W T8
LUMENS: 2900 PER LAMP
PARABOLIC LOUVER

Candela Distribution:

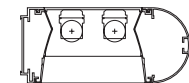
Vert. Angle	0	22.5	45	67.5	90
0	1564	1564	1564	1564	1564
5	1433	1475	1525	1464	1517
10	1431	1446	1539	1574	1525
15	1345	1459	1490	1560	1593
20	1355	1389	1507	1544	1556
25	1245	1357	1447	1471	1495
30	1169	1288	1359	1383	1388
35	1079	1166	1226	1242	1277
40	932	1069	1080	1139	1184
45	824	942	969	1036	1080
50	646	744	828	900	958
55	357	465	589	652	676
60	93.4	182	339	393	373
65	28.1	58.9	137	172	139
70	13.5	35.4	55.7	66.5	40.5
75	8.32	20.6	33.2	28.5	12.7
80	5.08	11.3	19.5	12.6	5.11
85	2.16	4.83	8.54	3.77	1.19
90	0.380	0.640	1.22	0.670	0.000

Optical Distribution:
100% Direct

Coefficients of Utilization - Zonal Cavity Method:

pfc = 0.20

	.8	.7	.5	.3	.1	0												
pcc	.8	.7	.5	.3	.1	0												
pw	.7	.5	.3	.1	.5	.3	.1	.5	.3	.1	0							
RCR																		
0	69	69	69	69	67	67	67	64	64	64	61	61	61	59	59	59	58	
1	64	62	60	59	63	61	59	58	58	57	56	56	55	54	54	53	52	51
2	60	56	53	50	58	55	52	49	53	50	48	51	49	47	49	48	46	45
3	55	50	46	43	54	49	45	43	47	44	42	46	43	41	45	42	40	39
4	51	45	41	37	50	44	40	37	43	39	37	42	39	36	40	38	36	35
5	47	41	36	33	46	40	36	32	39	35	32	38	34	32	37	34	32	30
6	44	37	32	29	43	36	32	29	35	31	28	34	31	28	33	30	28	27
7	41	33	29	26	40	33	29	26	32	28	25	31	28	25	31	27	25	24
8	38	31	26	23	37	30	26	23	30	26	23	29	25	23	28	25	23	22
9	35	28	24	21	35	28	24	21	27	23	21	27	23	21	26	23	20	19
10	33	26	22	19	32	26	22	19	25	21	19	25	21	19	24	21	19	18



Total Luminaire Optical Efficiency = 58.2%