

Squares

AD-66-I-WM



TYPE _____

FEATURES

The AD 66 architectural linear series are extraordinarily efficient aluminum luminaires. The AD 66 I WM is designed with indirect distribution for wall mounting. This series can be mounted individually, in perfectly aligned continuous rows, or in any combination of patterns. The AD 66 series is an ideal solution for open spaces and provides maximum design versatility.

SPECIFICATIONS

Housing: One piece heavy gauge extruded aluminum 6063T5 alloy welded construction forming a 6" x 6 3/8" profile. Finished end caps are welded to housing with no exposed hardware or knockouts.

Reflector: Die formed 20-gauge cold rolled steel minimum 90% reflectivity finished in high gloss baked white enamel.

Electrical: Ballast is electronic, high power factor, thermally protected class P, sound rated A, with less than 20% total harmonic distortion. The minimum number of ballasts will be used unless otherwise specified.

Mounting: Provided with wall mounting brackets measuring 5" square by 1 7/16" deep. Finished in white to match housing.

Finish: Fixture housing and steel components are finished in baked white enamel applied over a five-stage pretreatment process.

Lamps: Fixtures are provided for use with one or two 32 watt T8 lamps or 54 watt T5 HO lamps. Supplied by Others)

Certification: Luminaires are U. L. Listed, C. S. A. certified and are Union Made in the United States of America I.B.E.W.

ORDERING GUIDE

MODEL NO.	DIRECTION	NO. OF LAMPS	LAMPS	MOUNTING	LENGTH	FINISH	VOLTAGE	OPTIONS
AD66	I	1=1 2=2	17 T8 (2') 25 T8 (3') 32 T8 (4') 40 T8 (5') 28 T5 (4') 54 T5 HO (4')	WM= Wall Mounted	2= ft 3= ft 4= ft 5= ft 6= ft 8= ft	W= White CC= Custom Color	120v 277v	See Options Below
			O=Other Specify	See Accessories	for other, please enter row length (eg. 48=48ft)			

Example: **AD-66-I-232T8-WM-4-W-120V**
 AD 66 indirect for two 232 watt T8 lamp wall mounted four foot fixture finished in baked white enamel 120v electronic ballast less than 20% total harmonic distortion

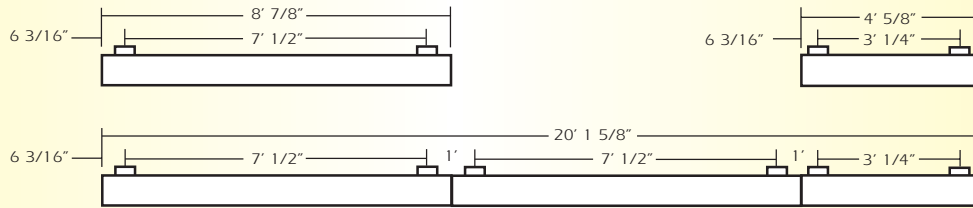
OPTIONS

- E10=** Electronic ballast, high power factor, thermally protected class P, sound rated A, < 10% total harmonic distortion
- DIM=** Dimming Ballast
- EPC=** Emergency Battery Pack
- EMC=** Emergency Circuit
- TCW=** Two Circuit Wiring
- OTH=** See Accessories for other options available

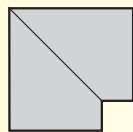
Squares

AD-66-I-WM

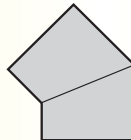
LINEAR SECTIONS AND SUSPENSION LOCATION



CORNERS Corners and fixture extensions are custom fabricated to precise dimensions. Please indicate the specific requirements on the layout



C2
90° Corner

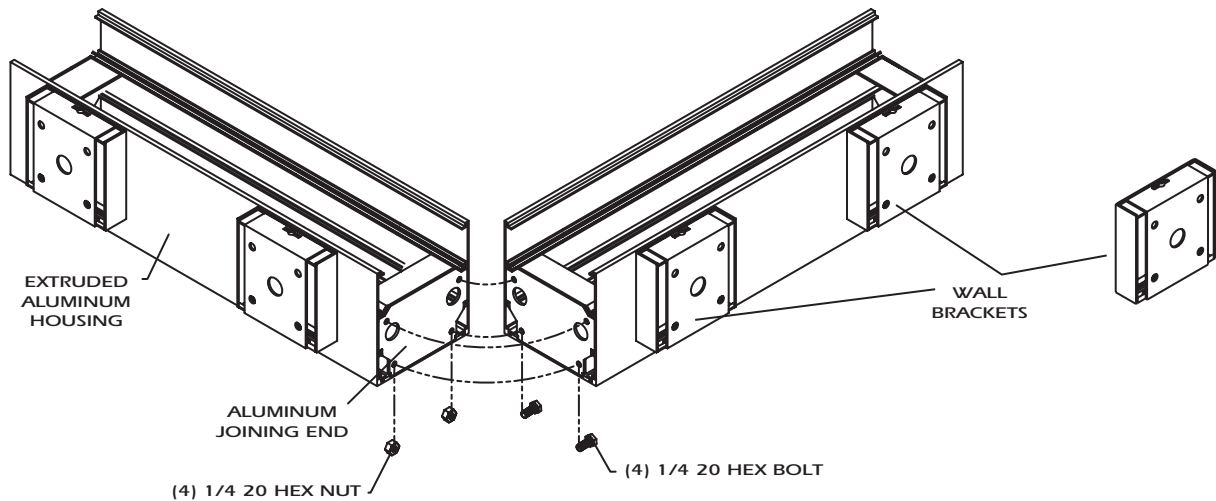


()° AC
Angular Corner

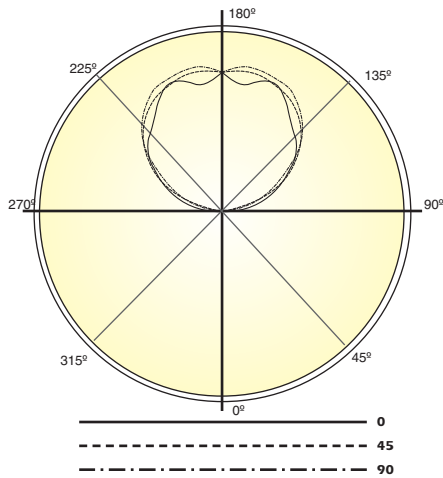
For any angular corner, ()° must be specified and dimensions must be included on the layout

For any pattern, a layout must accompany the order.

INSTALLATION PREPARATION



PHOTOMETRY



LAMP (2) 32W T8
LUMENS: 2900 PER LAMP

Candela Distribution:

Vert. Angle	0	22.5	45	67.5	90
90	8.99	10.0	11.9	16.1	13.6
95	63.5	59.5	48.4	63.8	74.4
100	164	195	147	139	128
105	289	332	320	285	262
110	412	470	452	460	463
115	521	597	596	641	630
120	628	709	743	772	787
125	717	823	877	904	904
130	849	933	987	1013	1030
135	907	972	1099	1137	1139
140	1001	1087	1208	1226	1249
145	1099	1207	1235	1358	1343
150	1176	1267	1397	1400	1454
155	1247	1333	1375	1447	1474
160	1325	1315	1362	1460	1447
165	1311	1352	1354	1425	1384
170	1291	1326	1351	1347	1363
175	1357	1370	1375	1407	1340
180	1400	1400	1400	1400	1400

Optical Distribution:
100% Indirect

Coefficients of Utilization - Zonal Cavity Method:

pfc = 0.20

pcc	.8	.7	.5	.3	.1	0													
pw	.7	.5	.3	.1	.7	.5	.3	.1	.5	.3	.1	.5	.3	.1	0				
RCR	0	74	74	74	74	63	63	63	63	43	43	43	24	24	24	7	7	7	0
1	67	64	61	59	57	55	52	50	37	36	35	21	21	20	6	6	6	0	
2	61	56	51	48	52	48	44	41	32	30	28	18	17	16	6	5	5	0	
3	55	49	43	39	47	42	37	34	28	26	24	16	15	14	5	4	4	0	
4	50	43	37	33	43	37	32	29	25	22	20	14	13	12	4	4	3	0	
5	46	38	32	28	39	32	28	24	22	19	17	13	11	10	4	3	3	0	
6	42	34	28	24	36	29	24	21	20	17	14	11	10	8	3	3	2	0	
7	39	30	24	20	33	26	21	18	18	15	12	10	8	7	3	2	2	0	
8	36	27	21	18	30	23	19	15	16	13	11	9	7	6	3	2	2	0	
9	33	24	19	15	28	21	16	13	14	11	9	8	7	5	2	2	1	0	
10	31	22	17	13	26	19	15	12	13	10	8	7	6	5	2	2	1	0	



Total Luminaire Optical Efficiency = 77.9%