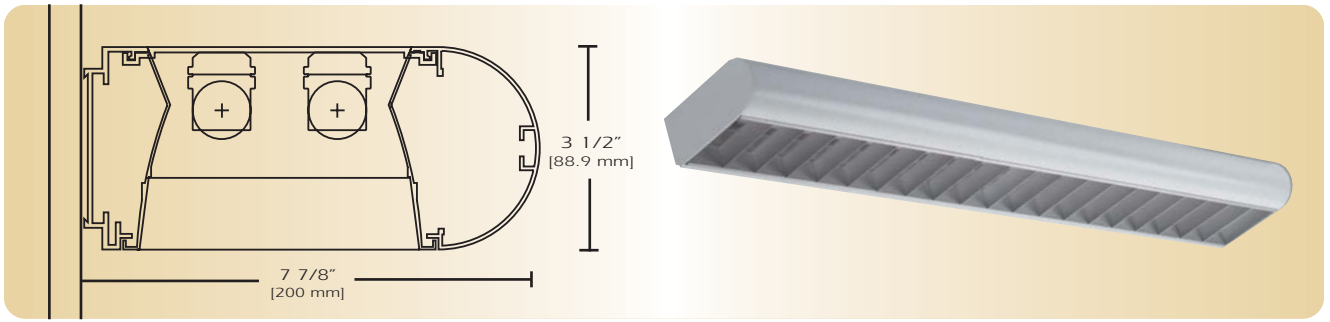


# Ovals

AD-357-DI-WM



TYPE \_\_\_\_\_

FEATURES

The AD357 oval aluminum luminaire is distinguished by its low profile and contemporary design. This high quality luminaire is suitable for most lighting systems and can be wall mounted to suit any project. The highly efficient design produces a uniform direct and indirect light distribution. The AD357 is ideal where style quality and performance applications apply.

SPECIFICATIONS

**Housing:** Two piece heavy gauge extruded aluminum 6063T5 alloy welded construction forming a 3 1/2" x 7 7/8" oval profile. Finished end caps are welded to housing with no exposed hardware or knockouts.

**Reflector:** Die formed 20-gauge cold rolled steel minimum 90% reflectivity finished in high gloss baked white enamel.

**Shielding:** Parabolic louver is semi-specular low iridescence aluminum 1 1/4" x 2.4" O.C. with 20 cells per 4' section. Four spring clips secure snap in baffle including two tethers.

**Electrical:** Ballast is electronic, high power factor, thermally protected class P, sound rated A, with less than 20% total harmonic distortion. The minimum number of ballasts will be used unless otherwise specified.

**Mounting:** Standard mounting holes are 5 1/4" in from each end for ease of installation.

**Finish:** Fixture housing and steel components are finished in baked white enamel applied over a five-stage pretreatment process.

**Lamps:** Fixtures are provided for use with one, two or three 32 watt T8 lamps or 54 watt T5 HO lamps. (Supplied by Others)

**Certification:** Luminaires are U. L. Listed, C. S. A. certified and are Union Made in the United States of America I.B.E.W.

ORDERING GUIDE

MODEL NO.	DIRECTION	SHIELDING	LAMPS	MOUNTING	LENGTH	FINISH	VOLTAGE	OPTIONS
<b>AD-357</b>	<b>DI</b>							
<b>AD-357</b>	<b>DI</b> = Direct/ Indirect	<b>PBL</b> = Parabolic Louder <b>SCB</b> = Steel Cross Baffle <b>PRS</b> = Prismatic Acrylic <b>WOA</b> = White Opal Acrylic	<b>132 T8</b> <b>232 T8</b> <b>332 T8</b> <b>154T5 HO</b> <b>254T5 HO</b> <b>354T5 HO</b>	<b>WM</b> = Wall Mounted  See Accessories	<b>4</b> = ft <b>8</b> = ft  for other, please enter row length (eg. 48=48ft)	<b>W</b> = White <b>CC</b> = Custom Color	<b>120v</b> <b>277v</b>	See Options Below

Example: **AD-357-DI-PBL-232T8-WM-4-W-120V**  
 AD 357 direct / indirect with parabolic louver for two 32 watt T8 lamps wall mounted four foot fixture finished in bake white enamel 120v electronic ballast less than 20% total harmonic distortion.

OPTIONS

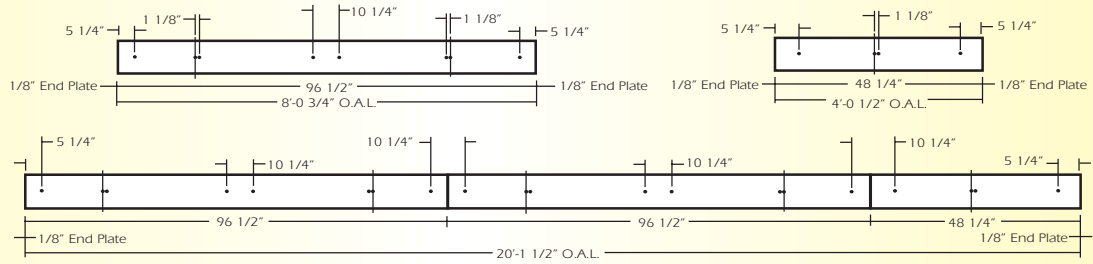
- E10=** Electronic ballast, high power factor, thermally protected class P, sound rated A, < 10% total harmonic distortion
- DIM=** Dimming Ballast
- EPC=** Emergency Battery Pack
- EMC=** Emergency Circuit
- TCW=** Two Circuit Wiring
- TDW=** Tandem Wiring
- OTH=** See Accessories for other options available

# Ovals

AD-357-DI-WM

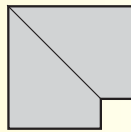
LINEAR SECTIONS AND SUSPENSION LOCATION

## WALL MOUNTING

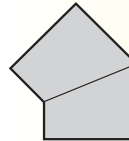


## CORNERS

Corners and fixture extensions are custom fabricated to precise dimensions. Please indicate the specific requirements on the layout



**C2**  
90° Corner

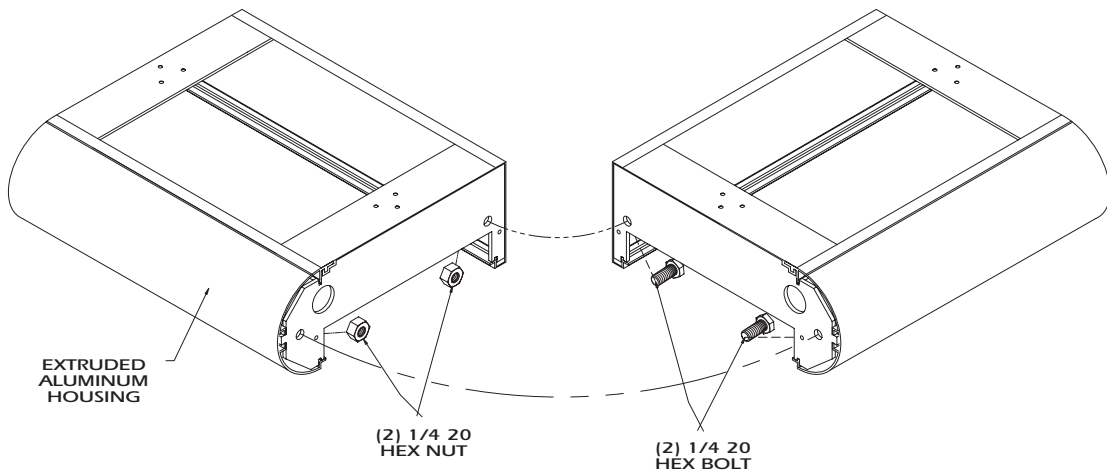


**( )° AC**  
Angular  
Corner

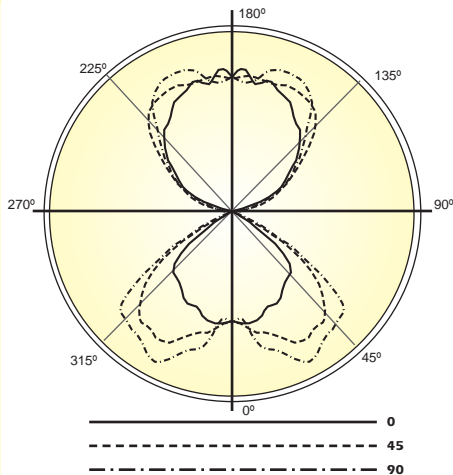
For any angular corner, ( )° must be specified and dimensions must be included on the layout

For any pattern, a layout must accompany the order.

INSTALLATION PREPARATION



PHOTOMETRY



LAMP (2) 32W T8  
LUMENS: 2900 PER LAMP  
PARABOLIC LOUVER

### Candela Distribution:

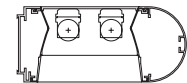
Vert. Angle	0	22.5	45	67.5	90
0	726	726	726	726	726
10	687	715	757	763	824
20	666	711	827	920	976
30	590	701	887	961	993
40	489	685	813	878	915
50	345	522	631	758	842
60	54.9	130	298	350	355
70	11.7	24.8	42.1	55.9	32.4
80	3.07	8.16	13.9	9.02	4.37
90	1.27	0.800	0.880	0.400	0.110
100	86.6	90.2	33.9	7.63	2.06
110	244	255	229	173	158
120	369	440	395	404	379
130	524	588	583	530	534
140	640	683	765	729	717
150	757	765	834	893	885
160	841	821	844	881	911
170	880	834	854	874	898
180	901	901	901	901	901

Optical Distribution:  
47% Direct: 53% Indirect

### Coefficients of Utilization - Zonal Cavity Method:

pfc = 0.20

	.8	.7	.5	.3	.1	0												
pcc	.8	.7	.5	.3	.1	0												
pw	.7	.5	.3	.1	.5	.3	.1	.5	.3	.1	0							
RCR																		
0	89	89	89	89	81	81	81	81	68	68	68	55	55	55	44	44	44	39
1	82	78	75	73	75	72	70	67	61	59	57	50	49	48	40	39	39	34
2	75	69	64	60	69	64	60	56	54	51	48	45	42	41	36	35	33	30
3	68	61	55	51	63	56	51	47	48	44	41	40	37	35	32	30	29	25
4	63	54	48	43	57	50	45	40	42	38	35	35	32	30	29	27	25	22
5	57	48	42	37	53	45	39	35	38	34	30	32	29	26	26	24	22	19
6	53	43	37	32	48	40	34	30	34	30	26	29	25	23	23	21	19	17
7	49	39	32	28	45	36	30	26	31	26	23	26	22	20	21	19	17	15
8	45	35	29	24	41	33	27	23	28	23	20	24	20	18	19	17	15	13
9	42	32	26	22	39	30	24	20	25	21	18	22	18	16	18	15	13	12
10	39	29	23	19	36	27	22	18	23	19	16	20	16	14	16	14	12	10



Total Luminaire Optical  
Efficiency = 83.6%