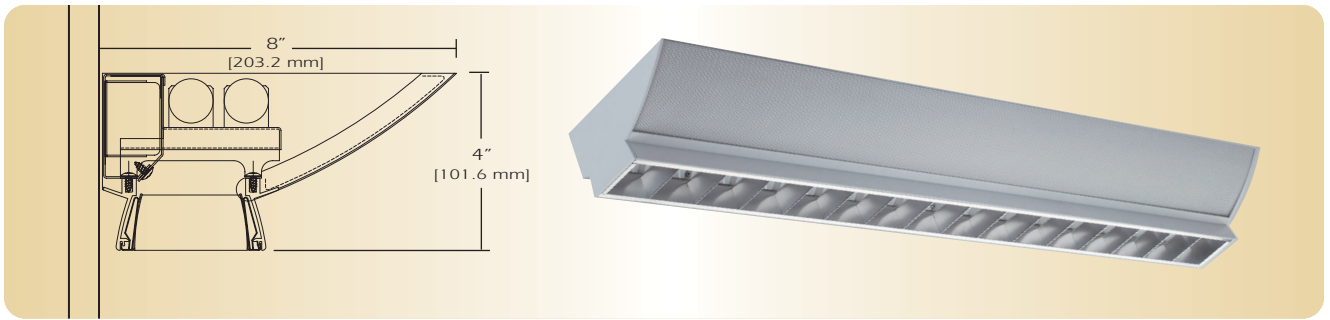


Special Profiles

AD-VEC-412-WM



TYPE _____

FEATURES

The AD VEC 412 DI is the suspended mounted variation of this complete family of luminaires. A smooth laser cut, mechanically fastened end finished the graceful contour of the extruded aluminum wings leaving no hardware exposed. The lower extruded housing is provided with a parabolic louver for a useful direct component, which provides glare control and visual contrast. The winged basket is perforated steel with 41% opening and a white translucent overlay that provides a diffuse indirect component. The computer designed optical system creates a wide asymmetric glare-free indirect component. These fixtures can be mounted individually, in continuous rows or patterns.

SPECIFICATIONS

- Housing:** One piece heavy gauge extruded aluminum 6063T5 alloy welded construction forming a 4" x 8" vector profile. Continuous perforated sides are 20 gauge cold rolled steel 1/16" x 3 /32" staggered centers with white acrylic .020 translucent overlay. Housing is also available with various perforated patterns.
- Reflector:** Die formed 20-gauge cold rolled steel minimum 90% reflectivity finished in high gloss baked white enamel.
- Shielding:** Parabolic louver is semi specular low iridescent aluminum 1 1/4" x 3" O.C. with 16 cells per 4' section.
- Electrical:** Ballast is electronic, high power factor, thermally protected class P, sound rated A, with less than 20% total harmonic distortion. The minimum number of ballasts will be used unless otherwise specified.
- Mounting:** Standard mounting holes are provided for ease of installation. Please see mounting details for specific locations in linear section.
- Finish:** Fixture housing and steel components are finished in baked white enamel applied over a five-stage pretreatment process.
- Lamps:** Fixtures are provided for use with one or two 32 watt T8 lamp or 54 watt T5 HO lamp. (Supplied by Others)
- Certification:** Luminaires are U. L. Listed, C. S. A. certified and are Union Made in the United States of America I.B.E.W.

ORDERING GUIDE

MODEL NO.	DIRECTION	SHIELDING	NO. OF LAMPS	LAMPS	MOUNTING	LENGTH	FINISH	VOLTAGE	OPTIONS
AD-VEC-412	DI								
AD-VEC-412	DI =Direct/ Indirect	PBL = Parabolic Louder	1 2	25T8 32T8 28T5 54T5 HO	WM = Wall Mount	4	W = White CC = Custom Color	120v 277v	See Options Below
				O =Other Specify	See Accessories	for other, please enter row length (eg. 48=48ft)			

Example: **AD VEC 412-DI-PBL-232T8-WM-4'-W-120V**
 AD VEC 412 direct/indirect with parabolic louver for two 32 watt T8 lamps wall mounted four foot fixture finished in baked white enamel 120V electronic ballast less than 20% total harmonic distortion.

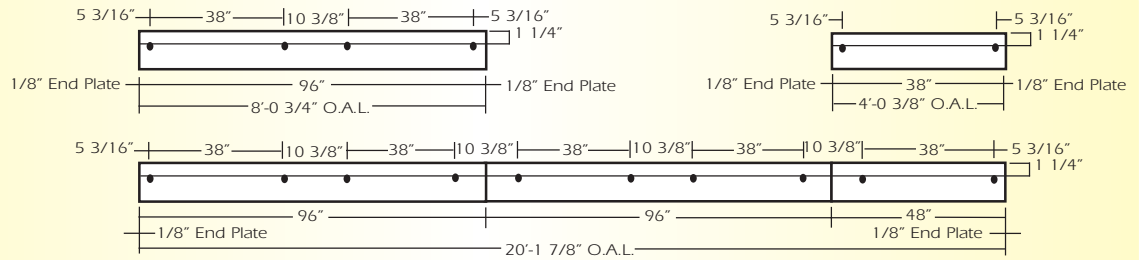
OPTIONS

- E10=** Electronic ballast, high power factor, thermally protected class P, sound rated A, < 10% total harmonic distortion
- DIM=** Dimming Ballast
- EPC=** Emergency Battery Pack
- EMC=** Emergency Circuit
- TCW=** Two Circuit Wiring
- TDW=** Tandem Wiring
- OTH=** See Accessories for other options available

Special Profiles

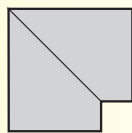
AD-VEC-412-WM

WALL MOUNTING

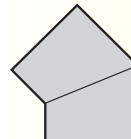


CORNERS

Corners and fixture extensions are custom fabricated to precise dimensions. Please indicate the specific requirements on the layout



C2
90° Corner



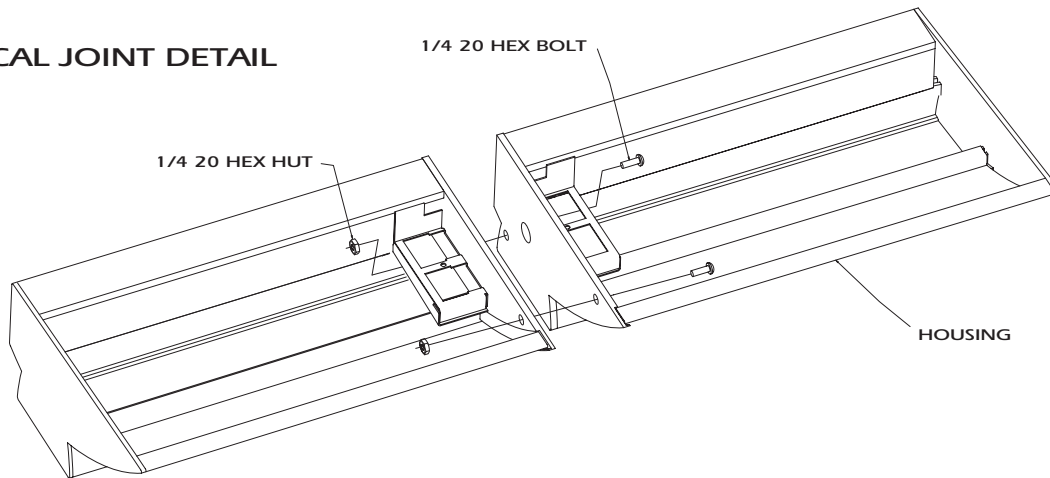
()° AC
Angular Corner

For any angular corner, ()° must be specified and dimensions must be included on the layout

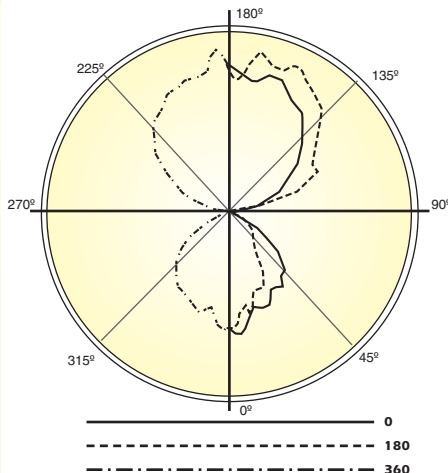
For any pattern, a layout must accompany the order.

INSTALLATION PREPARATION

TYPICAL JOINT DETAIL



PHOTOMETRY



LAMP (2) 32W T8
LUMENS: 2900 PER LAMP
PARABOLIC LOUVER

Candela Distribution:

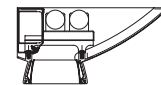
Vert. Angle	0	90	180	270	360
0	854	854	854	854	854
5	887	760	787	636	824
15	711	680	637	734	745
25	708	639	596	614	607
35	646	531	457	383	387
45	561	361	277	241	282
55	345	186	171	204	232
65	47.0	44.5	86.4	121	124
75	14.5	15.5	36.2	70.7	87.5
85	5.01	5.85	10.9	38.3	49.3
95	59.8	105	125	144	136
105	260	327	416	463	500
115	430	538	544	668	731
125	588	713	780	775	803
135	745	915	956	942	979
145	897	977	1044	1082	1090
155	990	1039	1072	1115	1173
165	1020	1104	1103	1120	1137
175	1024	1117	1121	1061	974
180	1066	1066	1066	1066	1066

Optical Distribution:
72% Indirect: 28% Direct

Coefficients of Utilization - Zonal Cavity Method:

pfc = 0.20

	.8	.7	.5	.3	.1	0													
pcc	.8	.7	.5	.3	.1	0													
pw	.7	.5	.3	.1	.5	.3	.1	.5	.3	.1	0								
RCR	0	84	84	84	84	75	75	75	75	59	59	59	44	44	44	30	30	30	23
1	77	74	71	68	69	66	64	62	52	50	49	39	38	37	27	26	26	20	
2	71	65	61	57	63	59	55	51	46	44	41	35	33	32	24	23	23	18	
3	65	58	52	48	58	52	47	44	41	38	35	31	29	28	22	21	20	16	
4	59	51	45	41	53	46	41	37	37	33	31	28	26	24	20	19	18	14	
5	55	46	40	35	49	41	36	32	33	29	27	25	23	21	18	17	16	13	
6	50	41	35	30	45	37	32	28	30	26	23	23	21	19	17	15	14	11	
7	47	37	31	27	42	34	28	25	27	23	21	21	18	16	15	14	13	10	
8	43	34	28	24	39	31	25	22	25	21	18	19	17	15	14	13	11	9	
9	40	31	25	21	36	28	23	19	23	19	16	18	15	13	13	11	10	8	
10	37	28	23	19	34	26	21	17	21	17	15	16	14	12	12	11	9	8	



Total Luminaire Optical Efficiency = 82.7%