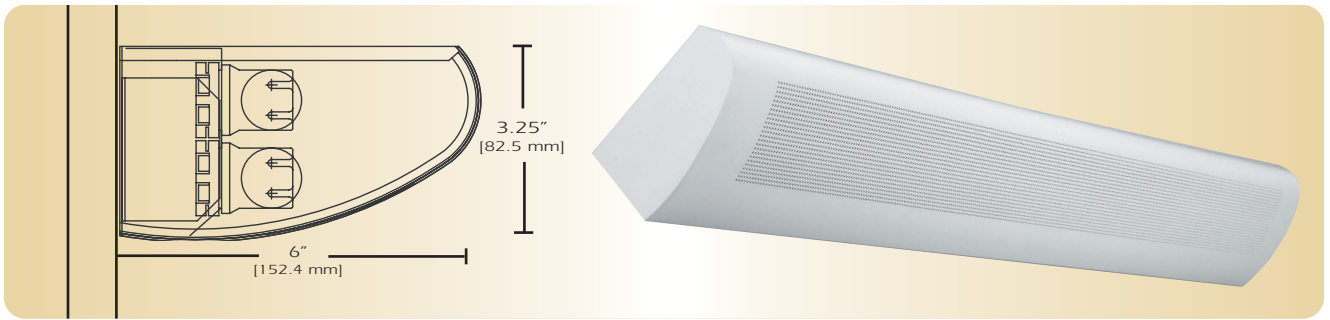


Generation Series 1

G1-WM



TYPE _____

FEATURES

The Generation Series is a complete group of wall mounted linear direct/indirect fluorescent luminaires. The low profile and modern design provide excellent efficiency and styling where high performance and uniform lighting is required. The computer generated optical system creates a widespread glare free indirect distribution. Designer creativity provides unique styling of perforated patterns and lamp configurations to meet a perceived source of illumination for the specific environment.

SPECIFICATIONS

Housing: One piece die formed 20-gauge cold rolled steel welded construction forming a 3 1/4" x 6" rounded profile. Continuous perforated sections are 1/16" diameter x 3/32" straight centers with white acrylic .020 translucent overlay. Finished end caps are laser cut 18-gauge cold rolled steel, with no exposed hard ware or knockouts. The wall mounted fixture is available in all perforated options. For additional perforation designs reference shielding sheet.

Reflector: Die formed 20-gauge cold rolled steel minimum 90% reflectivity finished in high gloss baked white enamel.

Electrical: Ballast is electronic, high power factor, thermally protected class P, sound rated A, with less than 20% total harmonic distortion. The minimum number of ballasts will be used unless otherwise specified.

Mounting: Mounting holes are provided at 18" on center for ease of installation.

Finish: Fixture housing and steel components are finished in baked white enamel applied over a five-stage pretreatment process.

Lamps: Fixtures are provided for use with one or two 32-watt T8 lamps or 54-watt T5 HO lamps. (Supplied by others)

Certification: Luminaires are U. L. Listed, C. S. A. certified and are Union Made in the United States of America I.B.E.W.

ORDERING GUIDE

| MODEL NO. | DIRECTION | SHIELDING | LAMPS | MOUNTING | LENGTH | FINISH | VOLTAGE | OPTIONS |
|-----------|---------------------------------|--|------------------------------------|---------------------------|--|---|----------------------------|--------------------------|
| G1 | DI | 3 | 132T8 232T8 | WM | 4 | W | 120v | See Options Below |
| G1 | DI = Direct/ Indirect | 3 = Perforated Continuous | 154T5 HO 254T5 HO | WM = Wall Mount | 8 = 8 ft 12 = 12 ft | W = White CC = Custom Color | 120v 277v | |
| | | O =Other See Generation Shielding Chart | O =Other Specify | See Accessories | for other, please enter row length (eg. 48=48ft) | | | |

Example: **G1-DI-3-232T8-WM-4-W-120V**
 Generation One with perforated continuous pattern with opal overlay for two 32 watt T8 lamps wall mounted finished in baked white enamel with 120v electronic ballast less than 20% total harmonic distortion.

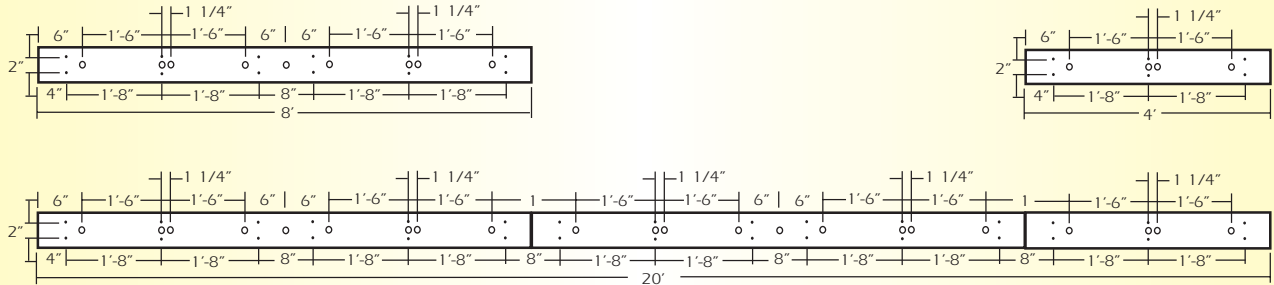
OPTIONS

- E10=** Electronic ballast, high power factor, thermally protected class P, sound rated A, < 10% total harmonic distortion
- DIM=** Dimming Ballast
- EPC=** Emergency Battery Pack
- EMC=** Emergency Circuit
- TCW=** Two Circuit Wiring
- OTH=** See Accessories for other options available

Generation Series 1

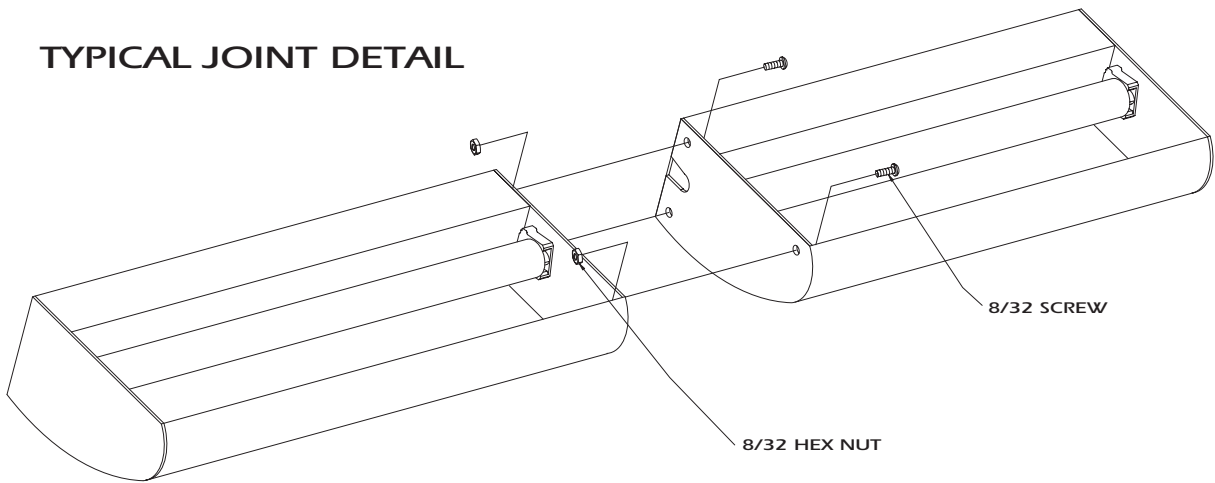
G1-WM

LINEAR SECTIONS AND SUSPENSION LOCATION

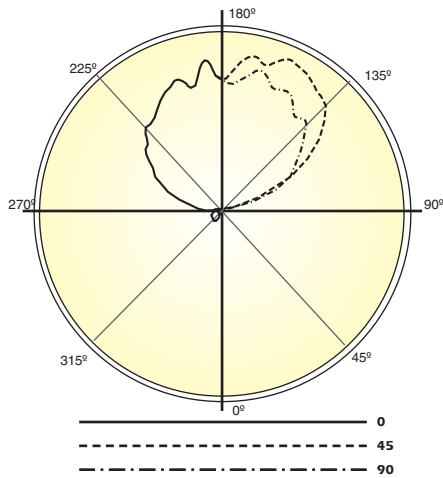


INSTALLATION PREPARATION

TYPICAL JOINT DETAIL



PHOTOMETRY



LAMP (2) 32W T8
LUMENS: 2900 PER LAMP

Candela Distribution:

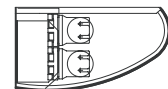
| Vert. Angle | 0 | 22.5 | 45 | 67.5 | 90 |
|-------------|------|------|-------|-------|-------|
| 0 | 57.4 | 57.4 | 57.4 | 57.4 | 57.4 |
| 10 | 54.0 | 49.9 | 55.3 | 41.5 | 56.7 |
| 20 | 61.0 | 48.0 | 43.2 | 45.3 | 49.8 |
| 30 | 54.4 | 49.8 | 53.2 | 70.3 | 54.4 |
| 40 | 48.4 | 36.6 | 37.1 | 31.7 | 33.2 |
| 50 | 41.7 | 35.6 | 28.4 | 31.1 | 31.1 |
| 60 | 32.8 | 31.3 | 24.6 | 25.5 | 25.3 |
| 70 | 26.3 | 26.6 | 16.9 | 12.8 | 10.6 |
| 80 | 21.7 | 1.99 | 0.000 | 0.000 | 0.000 |
| 90 | 4.71 | 4.73 | 6.83 | 5.81 | 6.86 |
| 100 | 137 | 107 | 144 | 133 | 129 |
| 110 | 330 | 243 | 222 | 230 | 234 |
| 120 | 505 | 383 | 355 | 346 | 339 |
| 130 | 664 | 537 | 493 | 442 | 448 |
| 140 | 784 | 708 | 616 | 576 | 548 |
| 150 | 848 | 854 | 722 | 704 | 640 |
| 160 | 960 | 913 | 905 | 816 | 757 |
| 170 | 911 | 1032 | 918 | 895 | 920 |
| 180 | 976 | 976 | 976 | 976 | 976 |

Optical Distribution:
94% Indirect: 6% Direct

Coefficients of Utilization - Zonal Cavity Method:

pfc = 0.20

| | .8 | .7 | .5 | .3 | .1 | 0 |
|-----|-------------|-------------|----------|----------|----------|---|
| pcc | .8 | .7 | .5 | .3 | .1 | 0 |
| pw | .7 .5 .3 .1 | .7 .5 .3 .1 | .5 .3 .1 | .5 .3 .1 | .5 .3 .1 | 0 |
| RCR | | | | | | |
| 0 | 58 58 58 58 | 50 50 50 50 | 35 35 35 | 22 22 22 | 9 9 9 | 3 |
| 1 | 53 50 48 46 | 45 43 42 40 | 31 29 28 | 19 18 17 | 8 7 7 | 2 |
| 2 | 48 44 40 37 | 41 38 35 33 | 27 25 23 | 16 15 14 | 7 6 6 | 2 |
| 3 | 44 38 34 31 | 37 33 30 27 | 23 21 19 | 14 13 12 | 6 5 5 | 1 |
| 4 | 40 34 29 26 | 34 29 25 23 | 20 18 16 | 12 11 10 | 5 4 4 | 1 |
| 5 | 36 30 25 22 | 31 26 22 19 | 18 16 14 | 11 10 9 | 4 4 3 | 1 |
| 6 | 33 26 22 19 | 28 23 19 16 | 16 14 12 | 10 8 7 | 4 3 3 | 1 |
| 7 | 31 24 19 16 | 26 20 17 14 | 14 12 10 | 9 7 6 | 3 3 2 | 1 |
| 8 | 28 21 17 14 | 24 18 15 12 | 13 11 9 | 8 6 5 | 3 3 2 | 0 |
| 9 | 26 19 15 12 | 22 17 13 11 | 12 9 8 | 7 6 5 | 3 2 2 | 0 |
| 10 | 24 17 13 11 | 21 15 12 9 | 11 8 7 | 6 5 4 | 3 2 2 | 0 |



Total Luminaire Optical Efficiency = 60.7%