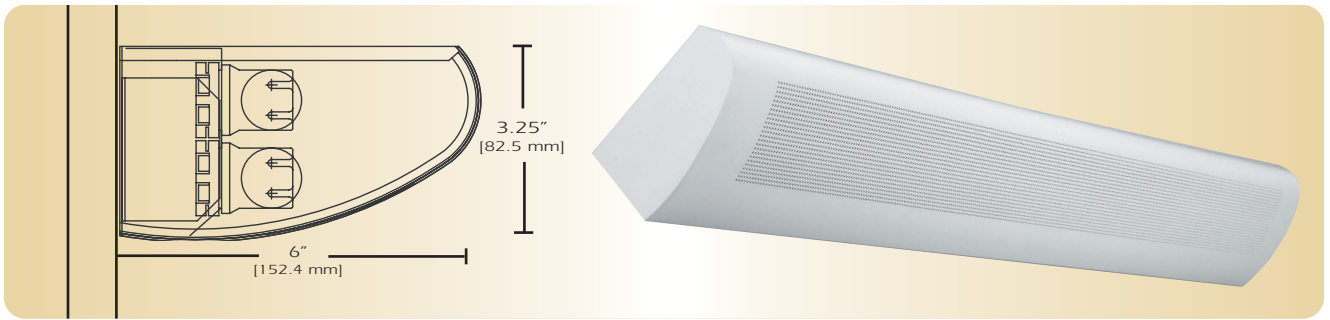


# Generation Series 1

G1-WM



**TYPE** \_\_\_\_\_

**FEATURES**

The Generation Series is a complete group of wall mounted linear direct/indirect fluorescent luminaires. The low profile and modern design provide excellent efficiency and styling where high performance and uniform lighting is required. The computer generated optical system creates a widespread glare free indirect distribution. Designer creativity provides unique styling of perforated patterns and lamp configurations to meet a perceived source of illumination for the specific environment.

**SPECIFICATIONS**

**Housing:** One piece die formed 20-gauge cold rolled steel welded construction forming a 3 1/4" x 6" rounded profile. Continuous perforated sections are 1/16" diameter x 3/32" straight centers with white acrylic .020 translucent overlay. Finished end caps are laser cut 18-gauge cold rolled steel, with no exposed hard ware or knockouts. The wall mounted fixture is available in all perforated options. For additional perforation designs reference shielding sheet.

**Reflector:** Die formed 20-gauge cold rolled steel minimum 90% reflectivity finished in high gloss baked white enamel.

**Electrical:** Ballast is electronic, high power factor, thermally protected class P, sound rated A, with less than 20% total harmonic distortion. The minimum number of ballasts will be used unless otherwise specified.

**Mounting:** Mounting holes are provided at 18" on center for ease of installation.

**Finish:** Fixture housing and steel components are finished in baked white enamel applied over a five-stage pretreatment process.

**Lamps:** Fixtures are provided for use with one or two 32-watt T8 lamps or 54-watt T5 HO lamps. (Supplied by others)

**Certification:** Luminaires are U. L. Listed, C. S. A. certified and are Union Made in the United States of America I.B.E.W.

**ORDERING GUIDE**

MODEL NO.	DIRECTION	SHIELDING	LAMPS	MOUNTING	LENGTH	FINISH	VOLTAGE	OPTIONS
<b>G1</b>	- <b>DI</b>	- <b>3</b>	- <input type="checkbox"/>	- <input type="checkbox"/>	- <input type="checkbox"/>	- <input type="checkbox"/>	- <input type="checkbox"/>	- <input type="checkbox"/>
<b>G1</b>	<b>DI</b> = Direct/ Indirect	<b>3</b> = Perforated Continuous  <input type="checkbox"/> <b>O</b> =Other See Generation Shielding Chart	<b>132T8</b> <b>232T8</b>  <b>154T5 HO</b> <b>254T5 HO</b>  <b>O</b> =Other Specify	<b>WM</b> = Wall Mount  See Accessories	<b>4</b> = 4 ft <b>8</b> = 8 ft <b>12</b> = 12 ft  for other, please enter row length (eg. 48=48ft)	<b>W</b> = White <b>CC</b> = Custom Color	<b>120v</b> <b>277v</b>	See Options Below

Example: **G1-DI-3-232T8-WM-4-W-120V**  
Generation One with perforated continuous pattern with opal overlay for two 32 watt T8 lamps wall mounted finished in baked white enamel with 120v electronic ballast less than 20% total harmonic distortion.

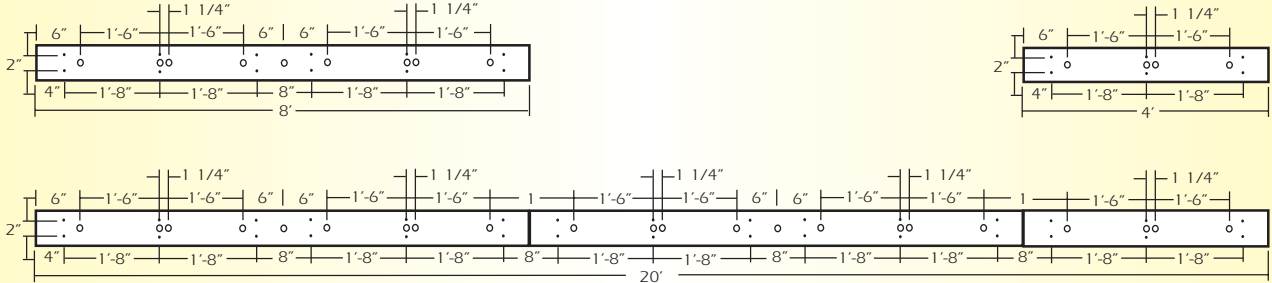
**OPTIONS**

- E10=** Electronic ballast, high power factor, thermally protected class P, sound rated A, < 10% total harmonic distortion
- DIM=** Dimming Ballast
- EPC=** Emergency Battery Pack
- EMC=** Emergency Circuit
- TCW=** Two Circuit Wiring
- OTH=** See Accessories for other options available

# Generation Series 1

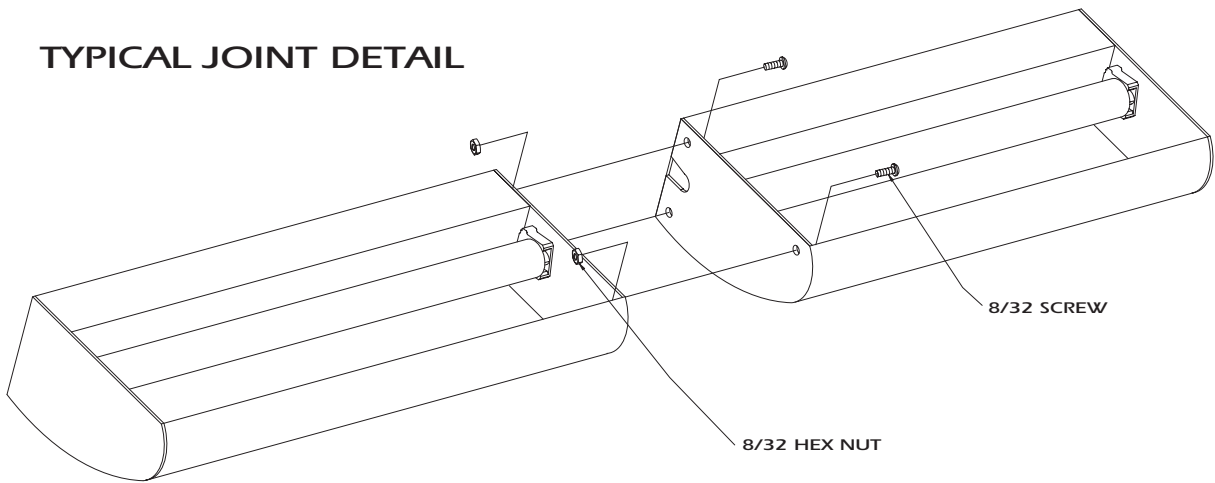
G1-WM

LINEAR SECTIONS AND SUSPENSION LOCATION

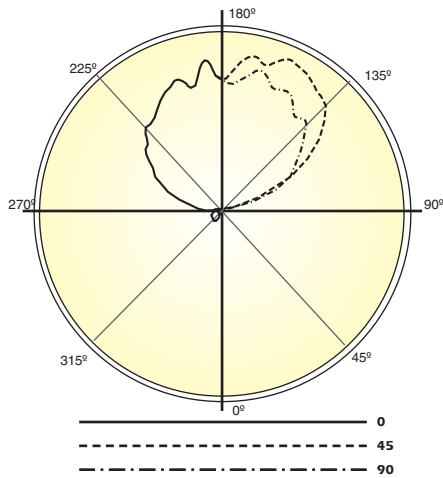


INSTALLATION PREPARATION

## TYPICAL JOINT DETAIL



PHOTOMETRY



LAMP (2) 32W T8  
LUMENS: 2900 PER LAMP

### Candela Distribution:

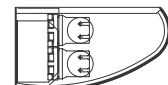
Vert. Angle	0	22.5	45	67.5	90
0	57.4	57.4	57.4	57.4	57.4
10	54.0	49.9	55.3	41.5	56.7
20	61.0	48.0	43.2	45.3	49.8
30	54.4	49.8	53.2	70.3	54.4
40	48.4	36.6	37.1	31.7	33.2
50	41.7	35.6	28.4	31.1	31.1
60	32.8	31.3	24.6	25.5	25.3
70	26.3	26.6	16.9	12.8	10.6
80	21.7	1.99	0.000	0.000	0.000
90	4.71	4.73	6.83	5.81	6.86
100	137	107	144	133	129
110	330	243	222	230	234
120	505	383	355	346	339
130	664	537	493	442	448
140	784	708	616	576	548
150	848	854	722	704	640
160	960	913	905	816	757
170	911	1032	918	895	920
180	976	976	976	976	976

Optical Distribution:  
94% Indirect: 6% Direct

### Coefficients of Utilization - Zonal Cavity Method:

pfc = 0.20

	.8	.7	.5	.3	.1	0
pcc	.8	.7	.5	.3	.1	0
pw	.7 .5 .3 .1	.7 .5 .3 .1	.5 .3 .1	.5 .3 .1	.5 .3 .1	0
RCR						
0	58 58 58 58	50 50 50 50	35 35 35	22 22 22	9 9 9	3
1	53 50 48 46	45 43 42 40	31 29 28	19 18 17	8 7 7	2
2	48 44 40 37	41 38 35 33	27 25 23	16 15 14	7 6 6	2
3	44 38 34 31	37 33 30 27	23 21 19	14 13 12	6 5 5	1
4	40 34 29 26	34 29 25 23	20 18 16	12 11 10	5 4 4	1
5	36 30 25 22	31 26 22 19	18 16 14	11 10 9	4 4 3	1
6	33 26 22 19	28 23 19 16	16 14 12	10 8 7	4 3 3	1
7	31 24 19 16	26 20 17 14	14 12 10	9 7 6	3 3 2	1
8	28 21 17 14	24 18 15 12	13 11 9	8 6 5	3 3 2	0
9	26 19 15 12	22 17 13 11	12 9 8	7 6 5	3 2 2	0
10	24 17 13 11	21 15 12 9	11 8 7	6 5 4	3 2 2	0



Total Luminaire Optical Efficiency = 60.7%