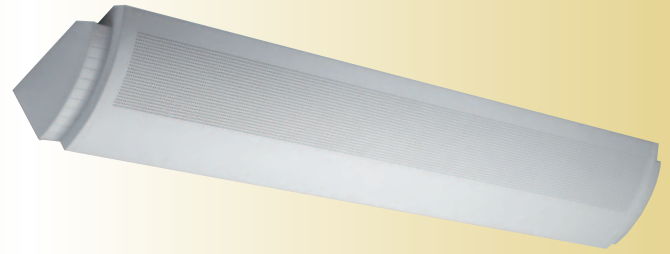
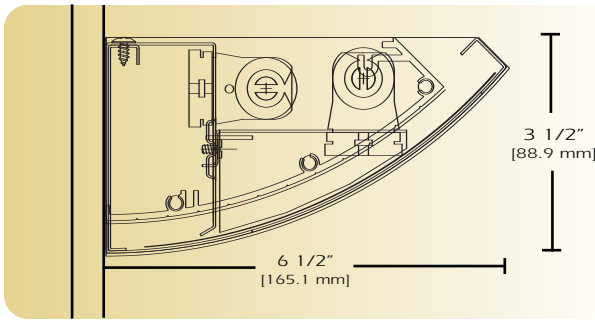


JAZZ Series

JAZ-DI-WM



TYPE _____

FEATURES

The Jazz DI Wall Mount is one variation of a complete family of direct/indirect fluorescent luminaires. Constructed of perforated steel and aluminum extrusions, it features a reveal between modules in continuous rows. The Jazz DI Wall Mount series can be furnished with a wide variety of perforated accent patterns in addition to the standard pattern. The standard pattern is a continuous perforation 3" wide. The perforations are 1/16" holes on 3/32" straight centers. Perforated corporate logos can also be supplied as a feature for reception areas and conference rooms. The computer designed optical system creates a widespread indirect distribution, while the variety of direct components provides useful contrast.

SPECIFICATIONS

Housing: One piece die formed 20-gauge cold rolled steel welded construction forming a 6 1/2" x 3 1/2" rounded profile. Continuous perforated sections are 1/16" x 3/32" straight centers with white .020 translucent overlay. Decorative finished end caps are extruded aluminum with no exposed hardware or knockouts.

Reflector: Die formed 20 gauge cold rolled steel minimum 90% reflectivity finished in high gloss baked white enamel. Die formed specular reflector is also available.

Electrical: Ballast is electronic, high power factor, thermally protected class P, sound rated A, with less than 20% total harmonic distortion. The minimum number of ballasts will be used unless otherwise specified.

Mounting: Standard installation is key slots 42" OC for ease of installation.

Finish: Fixture housing and steel components are finished in baked white enamel applied over a five-stage pretreatment process.

Lamps: Fixtures are provided for use with one or two 32 watt T8 lamps or 54 watt T5 HO lamps. (Supplied by Others)

Certification: Luminaires are U. L. Listed, C. S. A. certified and are Union Made in the United States of America I.B.E.W.

ORDERING GUIDE

MODEL NO.	DIRECTION	NO. OF LAMPS	LAMPS	MOUNTING	LENGTH	FINISH	VOLTAGE	OPTIONS
JAZ	DI	<input type="text"/>	<input type="text"/>	<input type="text"/>	<input type="text"/>	<input type="text"/>	<input type="text"/>	<input type="text"/>
JAZ	DI= Direct/ Indirect	1 2	17T8 25T8 32T8 14T5 21T5 28T5 24T5HO 39T5HO 54T5HO	WM= Wall Mount See Accessories	2= ft 3= ft 4= ft 6= ft 8= ft for other, please enter row length (eg. 48=48ft)	W= White CC= Custom Color	120v 277v	See Options Below

Example: **JAZ-DI-232T8-WM-4-W-120V**
Jazz direct/indirect with continuous perforated shielding for two 32-watt T8 lamps wall mounted four foot fixture finished in baked white enamel 120v electronic ballast less than 20% harmonic distortion.

OPTIONS

- E10=** Electronic ballast, high power factor, thermally protected class P, sound rated A, < 10% total harmonic distortion
- DIM=** Dimming Ballast
- EPC=** Emergency Battery Pack
- EMC=** Emergency Circuit
- TCW=** Two Circuit Wiring
- TDW=** Tandem Wiring
- QCW=** Quick Connect Wiring
- OTH=** See Accessories for other options available

126 Chestnut Street, Warwick RI 02888
t. (401) 467-8232 / f. (401) 941-2960 / e. sales@dayolite.com
www.dayolite.com

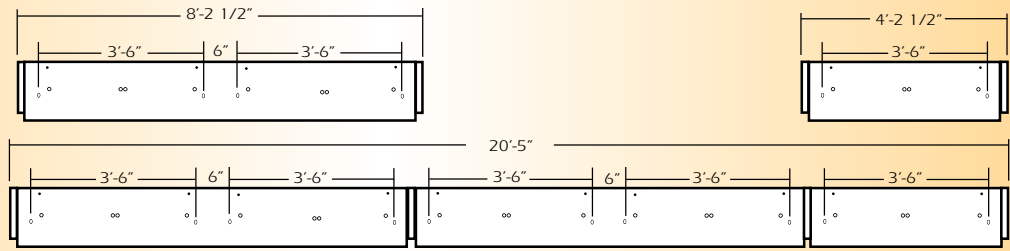


JAZZ Series

JAZ-DI-WM

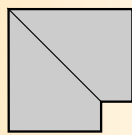
LINEAR SECTIONS AND SUSPENSION LOCATION

WALL MOUNTING

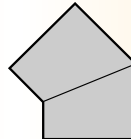


CORNERS

Corners and fixture extensions are custom fabricated to precise dimensions. Please indicated the specific requirements on the layout



C2
90° Corner

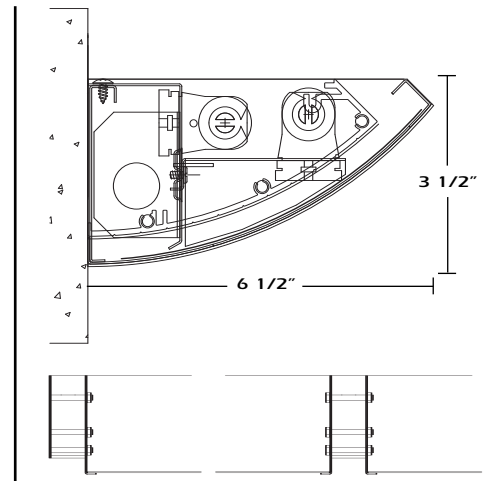
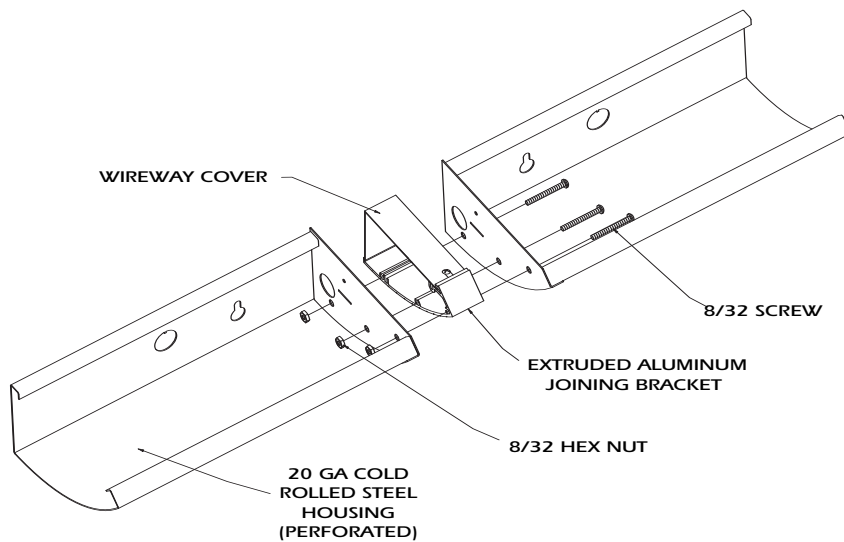


()° AC
Angular Corner

For any angular corner, ()° must be specified and dimensions must be included on the layout

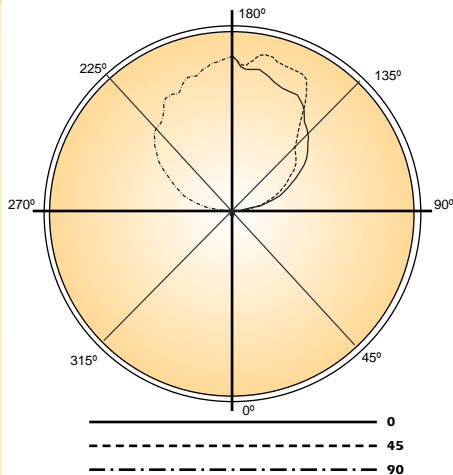
For any pattern, a layout must accompany the order.

INSTALLATION PREPARATION



MOUNTING INSTALLATION

PHOTOMETRY



LAMP (2) 32W T8
LUMENS: 2900 PER LAMP

Candela Distribution:

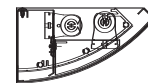
Vert. Angle	0	22.5	45	67.5	90
0	36.0	36.0	36.0	36.0	36.0
10	36.0	28.0	33.0	30.0	31.0
20	36.0	31.0	24.0	28.0	26.0
30	33.0	24.0	21.0	22.0	18.0
40	33.0	20.0	15.0	16.0	10.0
50	25.0	14.0	9.00	11.0	7.00
60	15.0	15.0	12.0	7.00	5.00
70	12.0	7.00	5.00	1.00	0.000
80	7.00	1.00	0.000	0.000	0.000
90	9.00	5.00	0.000	1.00	2.00
100	200	167	166	146	151
110	415	363	353	361	357
120	601	590	530	530	535
130	771	908	714	692	696
140	934	1014	1052	893	850
150	1096	1162	1209	1279	1200
160	1090	1213	1243	1211	1304
170	1152	1252	1317	1245	1316
180	1293	1293	1293	1293	1293

Optical Distribution:
Direct/Indirect

Coefficients of Utilization - Zonal Cavity Method:

pfc = 0.20

	.8	.7	.5	.3	.1	0
pcc	.8	.7	.5	.3	.1	0
pw	.7 .5 .3 .1	.7 .5 .3 .1	.5 .3 .1	.5 .3 .1	.5 .3 .1	0
RCR						
0	71 71 71 71	61 61 61 61	42 42 42	25 25 25	9 9 9	2
1	64 61 58 56	55 52 50 48	36 35 34	21 21 20	8 8 7	1
2	58 53 49 45	50 46 42 39	32 30 28	19 18 17	7 6 6	1
3	53 47 42 38	45 40 36 33	28 25 23	16 15 14	6 5 5	1
4	48 41 36 32	41 35 31 27	24 22 19	14 13 12	5 4 4	0
5	44 36 31 27	38 31 27 23	22 19 16	13 11 10	5 4 4	0
6	40 32 27 23	34 28 23 20	19 16 14	11 10 8	4 3 3	0
7	37 29 23 20	32 25 20 17	17 14 12	10 9 7	4 3 3	0
8	34 26 21 17	29 22 18 15	16 13 11	9 8 6	3 3 2	0
9	32 23 18 15	27 20 16 13	14 11 9	8 7 5	3 2 2	0
10	29 21 16 13	25 18 14 11	13 10 8	8 6 5	3 2 2	0



Total Luminaire Optical Efficiency = 74.2%