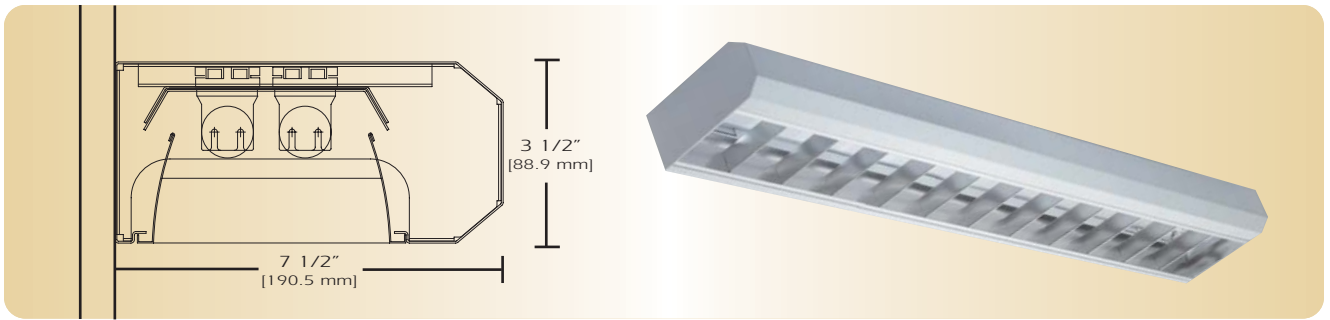


General Illumination AP-35-DI-WM



TYPE _____

FEATURES

The AP 35 DI WM series is a wall mounted version of the family of beveled steel luminaires. The AP 35 DI WM is designed for direct/indirect distribution to offset direct glare. This series can be mounted individually, in perfectly aligned continuous rows, or in any of combination of patterns. This series is available with a variety of down light shielding components. The AP 35 DI WM is complementary to all other members of the family providing maximum utilization of the unique shape throughout a space.

SPECIFICATIONS

- Housing:** Two piece die formed 20-gauge cold rolled steel welded construction forming a 3 1/2" x 7 1/2" beveled profile. Finished end caps are laser cut 18-gauge cold rolled steel, with no exposed hardware or knockouts.
- Reflector:** Die formed 20-gauge cold rolled steel minimum 90% reflectivity finished in high gloss baked white enamel.
- Shielding:** Parabolic louver is semi-specular low iridescence aluminum 1 1/4" x 4" O.C. with 12 cells per 4' section. Four spring clips secure snap in baffle including two tethers.
- Electrical:** Ballast is electronic, high power factor, thermally protected class P, sound rated A, with less than 20% total harmonic distortion. The minimum number of ballasts will be used unless otherwise specified.
- Mounting:** Standard installation is key slots 37 3/4" O.C. for ease of installation.
- Finish:** Fixture housing and steel components are finished in baked white enamel applied over a five-stage pretreatment process.
- Lamps:** Fixtures are provided for use with one, two or three 32 watt T8 lamps or 54 watt T5 HO lamps. (Supplied by Others)
- Certification:** Luminaires are U. L. Listed, C. S. A. certified and are Union Made in the United States of America. I.B.E.W.

ORDERING GUIDE

MODEL NO.	DIRECTION	SHIELDING	LAMPS	MOUNTING	LENGTH	FINISH	VOLTAGE	OPTIONS
AP-35	DI							
AP-35	DI=Direct/ Indirect	PBL=Parabolic Louder SCB= Steel Cross Baffle PRS=Prismatic Acrylic WOA= White Opal Acrylic	132 T8 232 T8 332 T8 154T5 HO 254T5 HO 354T5 HO O=Other Specify	WM= Wall See Accessories	4= ft 8= ft for other, please enter row length (eg. 48=48ft)	W= White CC= Custom Color	120v 277v	See Options Below

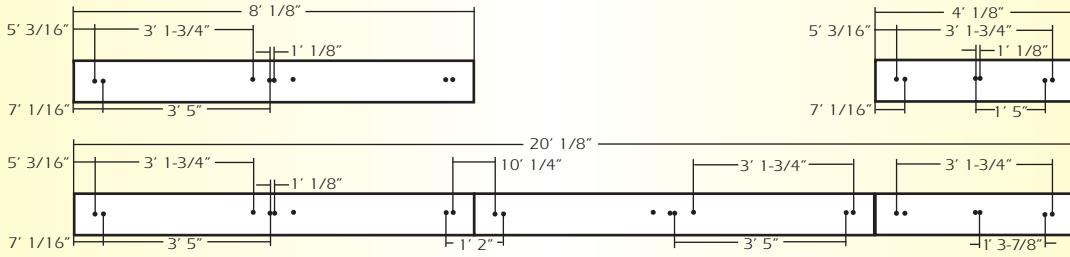
Example: **AP35-DI-PBL-232T8-WM-4-W-120V**
 AP35 direct / indirect with parabolic louver for two 32 watt T8 lamps wall mounted four foot fixture finished in baked white enamel 120v electronic ballast less than 20% total harmonic distortion.

OPTIONS

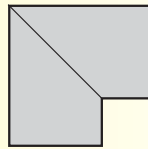
- E10=** Electronic ballast, high power factor, thermally protected class P, sound rated A, < 10% total harmonic distortion
- DIM=** Dimming Ballast
- EPC=** Emergency Battery Pack
- EMC=** Emergency Circuit
- TCW=** Two Circuit Wiring
- TDW=** Tandem Wiring
- OTH=** See Accessories for other options available

General Illumination AP-35-DI-WM

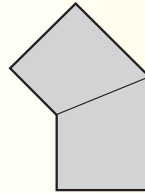
LINEAR SECTIONS AND SUSPENSION LOCATION



CORNERS Corners and fixture extensions are custom fabricated to precise dimensions. Please indicate the specific requirements on the layout

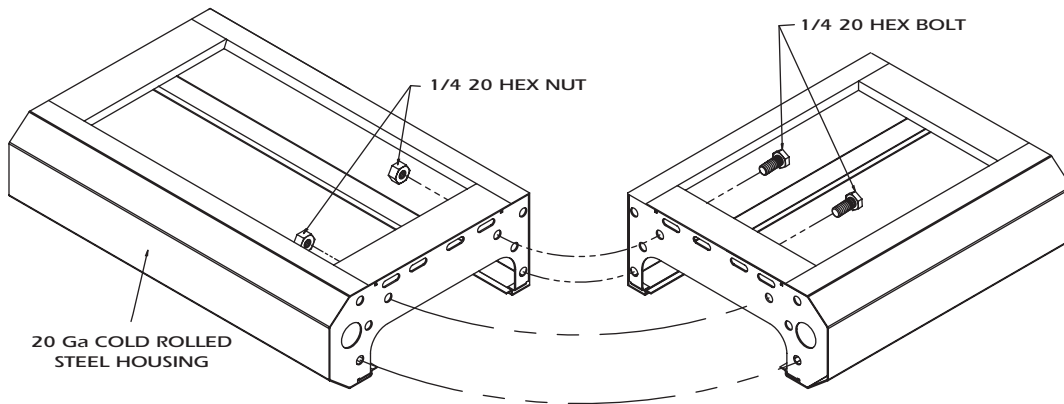


C2
90° Corner

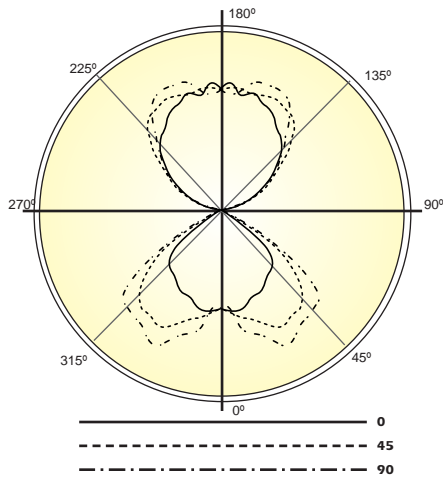


For any angular corner, ()° must be specified and dimensions must be included on the layout
()° AC
Angular Corner

INSTALLATION PREPARATION



PHOTOMETRY



LAMP (2) 32W T8
LUMENS: 2900 PER LAMP
PARABOLIC LOUVER

Candela Distribution:

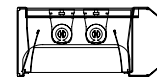
Vert. Angle	0	22.5	45	67.5	90
0	904	904	904	904	904
10	918	845	892	933	947
20	819	859	917	904	954
30	735	782	831	798	825
40	602	690	681	596	592
50	477	531	578	776	883
60	271	307	414	346	289
70	14.1	17.8	23.7	6.94	1.61
80	3.18	3.27	1.90	1.11	1.11
90	3.48	3.23	2.98	4.66	2.56
100	92.4	146	108	90.7	79.4
110	213	306	347	395	357
120	343	456	514	588	587
130	469	561	645	709	745
140	563	654	723	815	820
150	676	700	754	814	839
160	749	738	769	842	801
170	808	790	751	794	800
180	778	778	778	778	778

Optical Distribution:
55% Indirect / 45% Direct

Coefficients of Utilization - Zonal Cavity Method:

pfc = 0.20

	.8	.7	.5	.3	.1	0
pcc	.8	.7	.5	.3	.1	0
pw	.7 .5 .3 .1	.7 .5 .3 .1	.5 .3 .1	.5 .3 .1	.5 .3 .1	0
RCR						
0	94 94 94 94	86 86 86 86	71 71 71	57 57 57	45 45 45	39
1	86 83 80 77	79 76 73 71	63 62 60	52 50 49	41 40 40	35
2	79 73 68 64	72 67 63 59	56 53 50	46 44 42	37 35 34	30
3	72 64 58 53	66 59 54 50	50 46 43	41 38 36	33 31 29	26
4	66 57 50 45	60 53 47 42	44 40 37	37 33 31	29 27 25	22
5	61 51 44 39	55 47 41 36	40 35 32	33 29 27	26 24 22	19
6	56 45 38 34	51 42 36 31	36 31 27	30 26 23	24 21 19	17
7	51 41 34 29	47 38 32 27	32 27 24	27 23 21	22 19 17	15
8	48 37 30 26	44 34 28 24	29 25 21	24 21 18	20 17 15	13
9	44 34 27 23	41 31 25 21	27 22 19	22 19 16	18 16 14	12
10	41 31 24 20	38 29 23 19	24 20 17	21 17 15	17 14 12	11



Total Luminaire Optical Efficiency = 88.8%

SCW-2