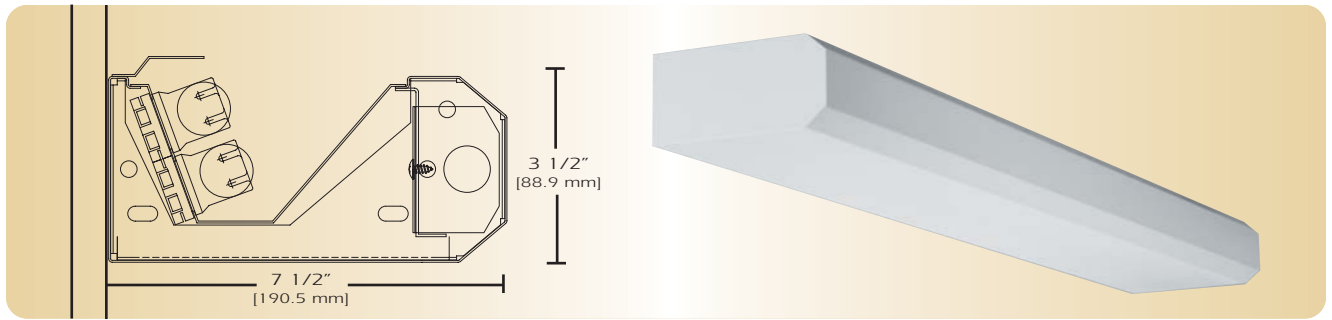


# General Illumination AP-35-IAS-WM



TYPE \_\_\_\_\_

## FEATURES

The AP 35 IAS WM series is a wall mounted version of the family of beveled steel luminaires. The AP 35 IAS WM is designed for total indirect distribution to eliminate direct glare entirely. This series can be mounted individually, in perfectly aligned continuous rows or in any of combination of patterns. The AP 35 IAS WM is complementary to all other members of the family providing maximum utilization of the unique shape throughout a space.

## SPECIFICATIONS

**Housing:** One piece die formed 20-gauge cold rolled steel welded construction forming a 3 1/2" x 7 1/2" beveled profile. Finished end caps are laser cut 18-gauge cold rolled steel, with no exposed hardware or knockouts.

**Reflector:** Die formed 20-gauge cold rolled steel minimum 90% reflectivity finished in high gloss baked white enamel.

**Electrical:** Ballast is electronic, high power factor, thermally protected class P, sound rated A, with less than 20% total harmonic distortion. The minimum number of ballasts will be used unless otherwise specified.

**Mounting:** Standard installation is key slots 37 3/4" O.C. for ease of installation.

**Finish:** Fixture housing and steel components are finished in baked white enamel applied over a five-stage pretreatment process.

**Lamps:** Fixtures are provided for use with one or two 32 watt T8 lamps or 54 watt T5 HO lamps. (Supplied by Others)

**Certification:** Luminaires are U. L. Listed, C. S. A. certified and are Union Made in the United States of America. I.B.E.W.

## ORDERING GUIDE

MODEL NO.	DIRECTION	LAMPS	MOUNTING	LENGTH	FINISH	VOLTAGE	OPTIONS
AP-35	IAS	132 T8 232 T8 154T5 HO 254T5 HO	WM= Wall	4= ft 8= ft	W= White CC= Custom Color	120v 277v	See Options Below
		O=Other Specify	See Accessories	for other, please enter row length (eg. 48=48ft)			

Example: **AP35-IAS-232T8-WM-4-W-120V**

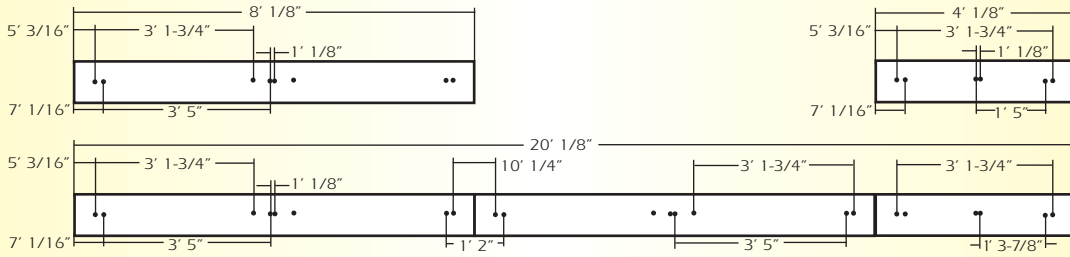
AP35 indirect asymmetric for two 32 watt T8 lamps wall mounted four foot fixture finished in baked white enamel 120v electronic ballast less than 20% total harmonic distortion.

## OPTIONS

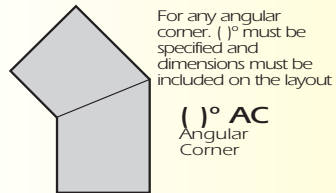
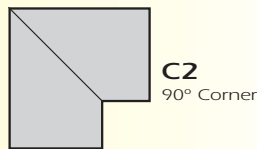
- E10=** Electronic ballast, high power factor, thermally protected class P, sound rated A, < 10% total harmonic distortion
- DIM=** Dimming Ballast
- EPC=** Emergency Battery Pack
- EMC=** Emergency Circuit
- TCW=** Two Circuit Wiring
- TDW=** Tandem Wiring
- OTH=** See Accessories for other options available

# General Illumination AP-35-IAS-WM

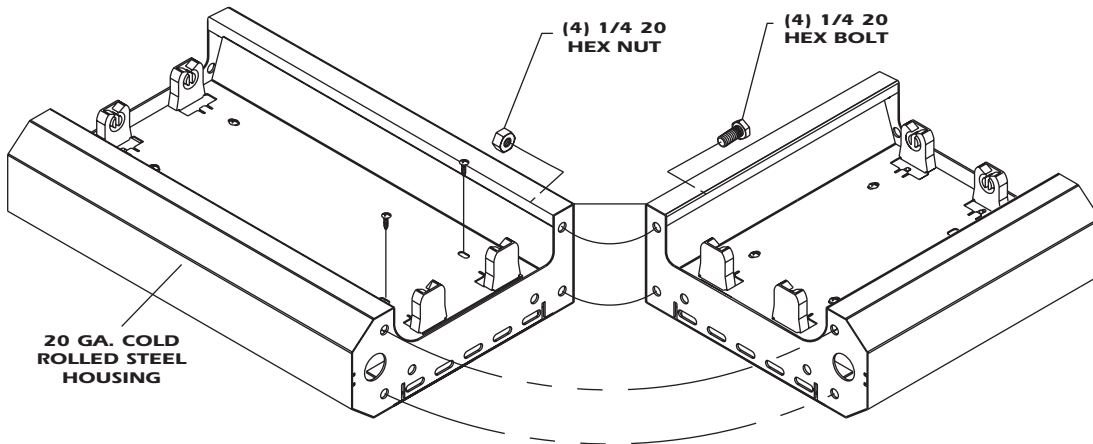
LINEAR SECTIONS AND SUSPENSION LOCATION



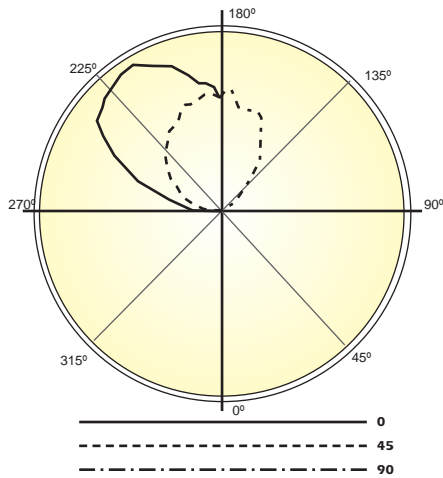
**CORNERS** Corners and fixture extensions are custom fabricated to precise dimensions. Please indicate the specific requirements on the layout



INSTALLATION PREPARATION



PHOTOMETRY



LAMP (2) 32W T8  
LUMENS: 2900 PER LAMP

### Candela Distribution:

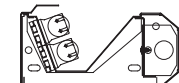
Vert. Angle	225	247.5	270	292.5	315
90	125	148	159	130	131
95	219	223	235	229	212
100	366	372	370	361	347
105	538	555	556	571	520
110	702	737	714	733	708
115	837	906	892	905	833
120	949	1032	1036	1036	943
125	1024	1165	1200	1165	1005
130	1087	1202	1244	1220	1065
135	1109	1285	1290	1267	1131
140	1158	1272	1309	1251	1146
145	1151	1239	1352	1279	1112
150	1184	1275	1335	1260	1122
155	1075	1289	1266	1176	1191
160	1117	1154	1225	1170	1063
165	1004	1080	1129	1172	990
170	995	1022	1027	1048	1018
175	1074	980	995	1090	927
180	883	883	883	883	883

Optical Distribution:  
100% Indirect

### Coefficients of Utilization - Zonal Cavity Method:

pfc = 0.20

	.8	.7	.5	.3	.1	0
pcc	.8	.7	.5	.3	.1	0
pw	.7 .5 .3 .1	.7 .5 .3 .1	.5 .3 .1	.5 .3 .1	.5 .3 .1	0
RCR						
0	54 54 54 54	46 46 46 46	31 31 31	18 18 18	5 5 5	0
1	49 47 45 43	42 40 38 37	27 26 25	15 15 15	5 4 4	0
2	45 41 38 35	38 35 32 30	24 22 21	13 13 12	4 4 4	0
3	41 36 32 29	34 31 27 25	21 19 17	12 11 10	3 3 3	0
4	37 31 27 24	31 27 23 21	18 16 15	10 9 8	3 3 2	0
5	34 28 23 20	29 24 20 18	16 14 12	9 8 7	3 2 2	0
6	31 25 20 17	26 21 18 15	14 12 10	8 7 6	2 2 2	0
7	28 22 18 15	24 19 15 13	13 11 9	7 6 5	2 2 1	0
8	26 20 16 13	22 17 14 11	12 9 8	7 5 4	2 1 1	0
9	24 18 14 11	21 15 12 10	10 8 7	6 5 4	2 1 1	0
10	22 16 12 10	19 14 11 8	9 7 6	5 4 3	1 1 1	0



Total Luminaire Optical Efficiency = 57.5%