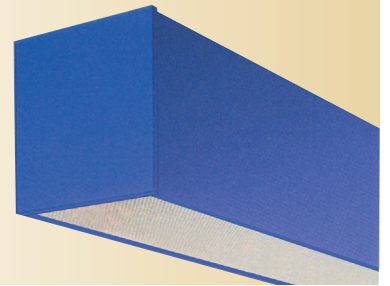
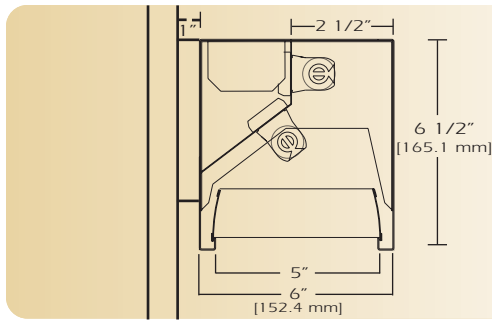


General Illumination PTP-DIA-WM



TYPE _____

FEATURES

The PTP architectural linear series is an extraordinarily efficient steel luminaires. The PTP DIA is designed for wall mounting. The PTP DIA is an asymmetric indirect distribution while providing a symmetric direct distribution. This series can be mounted individually, in perfectly aligned continuous rows or in any of combination of patterns. This series is available with an almost limitless variety of down light shielding. The PTP series is an ideal solution for open spaces and provides maximum design versatility.

SPECIFICATIONS

Housing: Die formed 20 gauge cold rolled steel welded construction, bottom of housing has a 3/8" regression for structural rigidity and conformity. A 2 1/2" wide opening on top of housing provides indirect ceiling and wall illumination. Joiner ends are notched below the lamps for ease of installation and continuous baffle appearance. Finished end caps are laser cut 18 gauge cold rolled steel, with no exposed hardware or knockouts. Housing aligners provide precision alignment for continuous rows.

Reflector: Die formed 20-gauge cold rolled steel minimum 90% reflectivity finished in high gloss baked white enamel.

Shielding: Parabolic louver is semi-specular low iridescence aluminum 1 1/2" x 2" O.C. with 24 cells per 4' section.

Electrical: Ballast is electronic, high power factor, thermally protected class P, sound rated A, with less than 20% total harmonic distortion. The minimum number of ballasts will be used unless otherwise specified.

Mounting: Provided with wall mounting brackets measuring 5" square by 1" deep. Finished in white to match housing.

Finish: Fixture housing and steel components are finished in baked white enamel applied over a five-stage pretreatment process.

Lamps: Fixtures are provided for use with one or two 32 watt T8 lamps or 54 watt T5 HO lamps. (Supplied by Others)

Certification: Luminaires are U. L. Listed, C. S. A. certified and are Union Made in the United States of America. I.B.E.W.

ORDERING GUIDE

MODEL NO.	DIRECTION	SHIELDING	NO. OF LAMPS	LAMPS	MOUNTING	LENGTH	FINISH	VOLTAGE	OPTIONS
PTP	DIA								
PTP	DIA= Direct/ Indirect Asymmetric	PBL= Parabolic Louver SCB= Steel Cross Baffle PRS= Prismatic Acrylic WOA= White Opal Acrylic	1= 1 2= 2	17 T8 (2') 25 T8 (3') 32 T8 (4') 40 T8 (5') 28 T5 (4') 54 T5 HO (4')	WM= Wall See Accessories	2= ft 3= ft 4= ft 5= ft 6= ft 8= ft for other, please enter row length (eg. 48=48ft)	W= White CC= Custom Color	120v 277v	See Options Below

Example: **PTP-DIA-PBL-232T8-WM-4-W-120V**

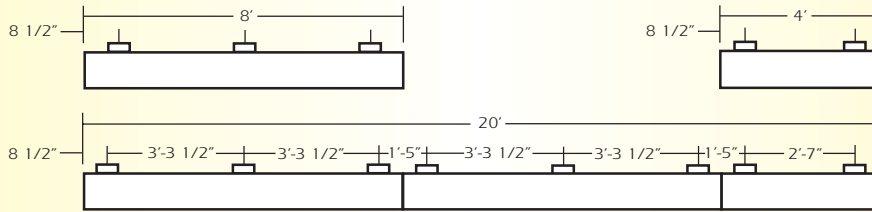
PTP- direct indirect with parabolic louver for two 32 watt T8 lamps wall mounted four foot fixture finished in baked white enamel 120v electronic ballast less than 20% total harmonic distortion.

OPTIONS

- E10=** Electronic ballast, high power factor, thermally protected class P, sound rated A, < 10% total harmonic distortion
- DIM=** Dimming Ballast
- EPC=** Emergency Battery Pack
- EMC=** Emergency Circuit
- TCW=** Two Circuit Wiring
- OTH=** See Accessories for other options available

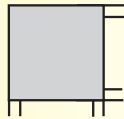
General Illumination PTP-DIA-WM

LINEAR SECTIONS AND SUSPENSION LOCATION



JOINERS

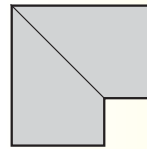
JB2



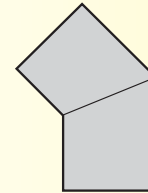
JB2-90° (Corner) Joiner Box

CORNERS

Corners and fixture extensions are custom fabricated to precise dimensions. Please indicate the specific requirements on the layout



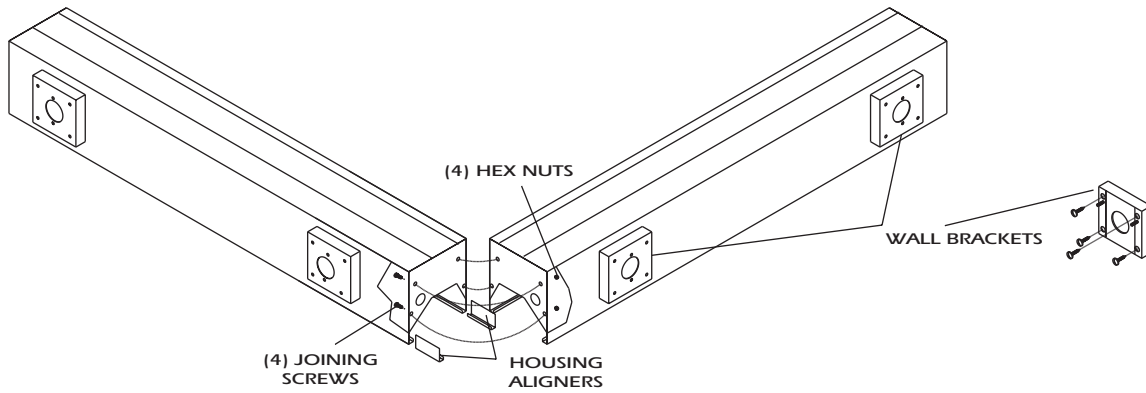
C2
90° Corner



For any angular corner, ()° must be specified and dimensions must be included on the layout

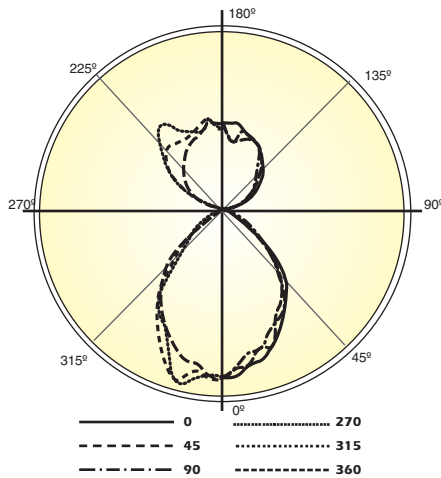
()° AC
Angular Corner

INSTALLATION PREPARATION



TYPICAL JOINT DETAIL

PHOTOMETRY



LAMP (2) 32W T8
LUMENS: 2900 PER LAMP
PARABOLIC LOUVER

Candela Distribution:

Vert. Angle	0	22.5	45	67.5	90
0	1094	1094	1094	1094	1094
5	1122	1032	1040	989	1038
15	1052	922	938	945	957
25	846	818	801	802	827
35	697	638	657	681	697
45	481	501	444	427	428
55	169	199	229	248	278
65	15.9	27.6	54.1	89.7	95.5
75	4.83	7.35	15.8	14.9	7.08
85	1.06	1.47	2.25	1.57	1.48
95	27.7	28.1	36.0	37.8	43.0
105	110	92.5	98.4	141	136
115	190	180	166	215	244
125	270	285	238	263	305
135	362	365	330	320	289
145	426	414	419	406	404
155	495	418	494	497	463
165	514	463	440	498	549
175	568	485	445	413	494
180	552	552	552	552	552

Optical Distribution:
49% Indirect: 51% Direct

Coefficients of Utilization - Zonal Cavity Method:

pfc = 0.20

	.8	.7	.5	.3	.1	0												
pcc	.8	.7	.5	.3	.1	0												
pw	.7	.5	.3	.1	.5	.3	.1	.5	.3	.1	0							
RCR																		
0	66	66	66	66	61	61	61	61	52	52	52	43	43	43	35	35	35	31
1	61	59	57	55	57	55	53	51	47	45	44	39	38	38	32	32	31	28
2	57	52	49	46	52	49	46	44	42	40	38	35	34	33	30	29	28	25
3	52	47	43	40	48	44	40	37	38	35	33	32	30	29	27	26	25	22
4	48	42	38	34	44	39	35	32	34	31	29	29	27	25	25	23	22	20
5	44	38	33	30	41	35	31	28	31	28	25	27	24	22	23	21	20	18
6	41	34	30	26	38	32	28	25	28	25	22	24	22	20	21	19	18	16
7	38	31	27	23	35	29	25	22	26	22	20	22	20	18	19	17	16	14
8	36	28	24	21	33	27	23	20	23	20	18	20	18	16	18	16	14	13
9	33	26	22	19	31	25	21	18	22	18	16	19	16	15	16	14	13	12
10	31	24	20	17	29	23	19	16	20	17	15	18	15	13	15	13	12	11



Total Luminaire Optical Efficiency = 62.0%