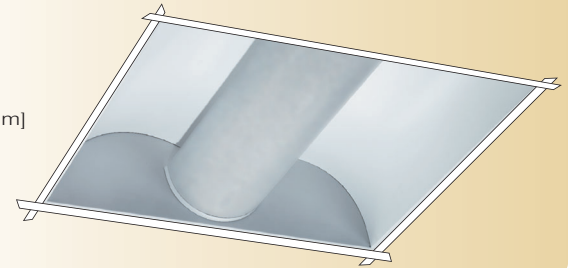
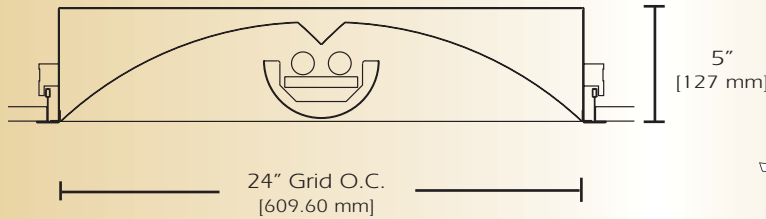


New Age Series

NAS-PI



TYPE _____

FEATURES

The NAS-PI is one variation of a complete group of Recessed Direct luminaires featuring a centered metal perforated lamp shield with an acrylic overlay to obscure direct lamp image. The centered perforated lamp shield is positioned above the ceiling plane. Lamp output is distributed over a computer designed reflector system to provide soft glare-free illumination. The NAS-PI series can be used in any installation where high performance and comfortable lighting are required.

SPECIFICATIONS

Housing: Die formed 20-gauge cold rolled steel finished in baked white enamel. Housing has an access plate on top with two 7/8" diameter knockouts.

Shielding: Die formed 20 gauge perforated steel lamp shield has a 41% opening with white acrylic .020 translucent overlay. The hinged lamp shield is removable for easy lamp access.

Reflector: Die formed .020 aluminum 90% minimum reflectivity finished in low glare matte baked white enamel.

Electrical: Ballast is electronic, high power factor, thermally protected class P, sound rated A, with less than 20% total harmonic distortion. The minimum number of ballasts will be used unless otherwise specified.

Mounting: Standard installation is 2 x 2 exposed inverted T-bar ceiling. Optional trims are also available for installations in miniature grid, drywall or plaster ceiling. For mounting detail information consult factory. Four support brackets are included with each fixture.

Finish: Fixture housing and steel components are finished in baked white enamel applied over a five-stage pretreatment process.

Lamps: Fixtures are provided for use with 40 or 50 watt compact fluorescent or 17 watt T8 lamps. (Supplied by Others)

Certification: Luminaires are U. L. Listed, C.S.A. certified and are Union Made in the United States of America I.B.E.W.

ORDERING GUIDE

MODEL NO.	LAMPS	SIZE	MOUNTING	FINISH	VOLTAGE	OPTIONS
NAS-PI	-	22	-	-	-	-
NAS-PI	240-CF 250-CF 217-T8	22= 2X2	G= Standard Lay-in Grid MG= Miniature Grid F= Flanged	W= White CC= Custom Color	120v 277v	See Options Below
	O= Other Specify					

Example: **NAS-PI-240CF-22-G-W-120V**
New Age Series with perforated lamp shield two 40 watt compact fluorescent 2x2 grid fixture finished in baked white enamel 120 volt electronic ballast less than 20% harmonics.

OPTIONS

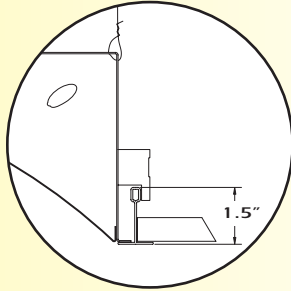
- E10=** Electronic ballast, high power factor, thermally protected class P, sound rated A, <10% total harmonic distortion
- DIM=** Dimming Ballast
- EPC=** Emergency Battery Pack
- EMC=** Emergency Circuit
- TCW=** Two Circuit Wiring
- ARS=** Air return system
- FWH=** Flexible wiring harness
- OTH=** See Accessory Section for other options available

New Age Series

NAS-PI

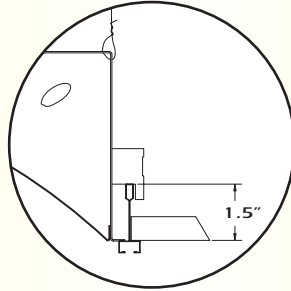
LINEAR SECTIONS AND SUSPENSION LOCATION

MOUNTING "G"



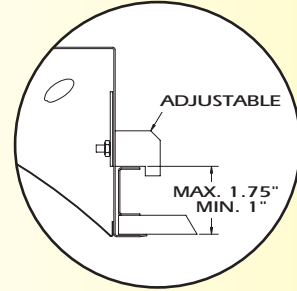
STD. 1 1/2" INVERTED "T" BAR

MOUNTING "MG"



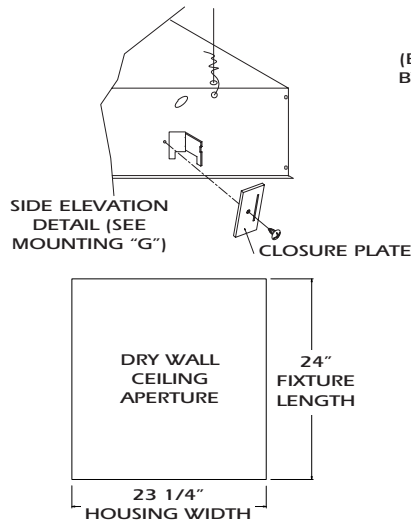
1 1/2" MINIATURE GRID CEILING

MOUNTING "F"

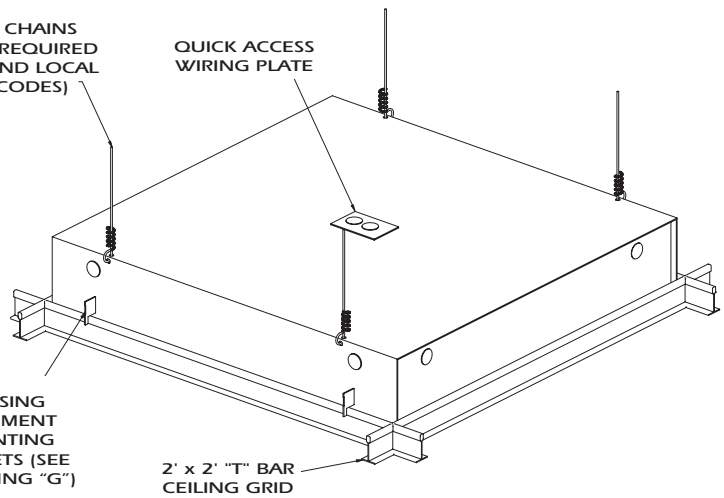


PLASTER OR DRY WALL CEILING

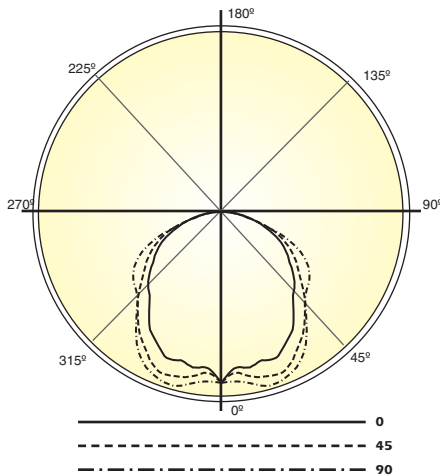
INSTALLATION PREPARATION



WIRE TIES OR CHAINS
(BY OTHERS AS REQUIRED
BY NATIONAL AND LOCAL
ELECTRICAL CODES)



PHOTOMETRY



LAMP (2) 40W C.F.
LUMENS: 3150 PER LAMP

Candela Distribution:

Vert. Angle	0	22.5	45	67.5	90
0	1266	1266	1266	1266	1266
5	1171	1161	1183	1263	1240
10	1181	1203	1256	1244	1308
15	1109	1180	1260	1324	1367
20	1144	1169	1301	1332	1317
25	1056	1141	1230	1293	1295
30	1060	1049	1162	1203	1212
35	913	999	1065	1093	1111
40	791	890	971	973	986
45	750	813	870	891	852
50	662	723	761	818	878
55	596	639	680	772	798
60	509	557	601	692	740
65	448	457	516	592	627
70	356	369	406	446	422
75	269	271	283	271	270
80	181	176	158	183	181
85	94.3	78.9	76.5	85.0	92.1
90	18.8	18.4	17.1	16.5	20.7

Optical Distribution:
100% Direct

Coefficients of Utilization - Zonal Cavity Method:

pfc = 0.20

	.8	.7	.5	.3	.1	0												
pcc	.8	.7	.5	.3	.1	0												
pw	.7	.5	.3	.1	.5	.3	.1	.5	.3	.1	0							
RCR	0	73	73	73	73	71	71	71	68	68	68	65	65	65	62	62	62	61
1	66	63	60	58	64	62	59	57	59	57	55	57	55	53	54	53	52	50
2	60	55	50	47	58	53	49	46	51	48	45	49	46	44	47	45	43	42
3	54	48	43	38	53	47	42	38	45	41	37	43	40	37	42	39	36	35
4	50	42	37	32	48	41	36	32	40	35	32	38	34	31	37	34	31	29
5	46	37	32	28	44	37	31	27	35	31	27	34	30	27	33	29	27	25
6	42	34	28	24	41	33	28	24	32	27	24	31	27	23	30	26	23	22
7	39	30	25	21	38	30	25	21	29	24	21	28	24	21	27	23	21	19
8	36	28	22	19	35	27	22	19	26	22	19	26	21	18	25	21	18	17
9	34	25	20	17	33	25	20	17	24	20	17	24	19	17	23	19	16	15
10	32	23	18	15	31	23	18	15	22	18	15	22	18	15	21	18	15	14



Total Luminaire Optical
Efficiency = 61.3%