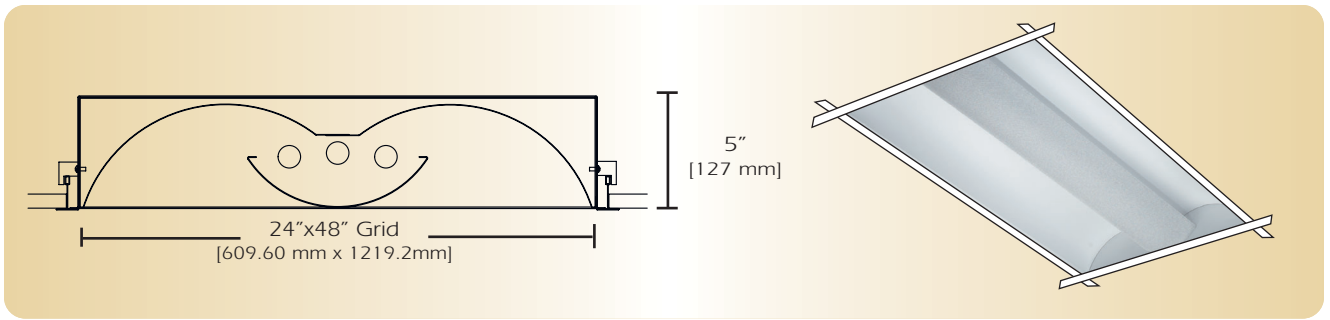


New Age Series

NAS-PIW



TYPE _____

FEATURES

The NAS-PIW is one variation of a complete group of Recessed Direct luminaires featuring a centered metal perforated lamp shield with an acrylic overlay to obscure direct lamp image. The centered perforated lamp shield is positioned above the ceiling plane. Lamp output is distributed over a computer designed reflector system to provide soft glare-free illumination. The NAS-PIW series can be used in any installation where high performance and comfortable lighting are required.

SPECIFICATIONS

- Housing:** Die formed 20-gauge cold rolled steel finished in baked white enamel. Housing has an access plate on top with two 7/8" diameter knockouts.
- Shielding:** Die formed 20 gauge perforated steel lamp shield has a 41% opening with white acrylic .020 translucent overlay. The hinged lamp shield is removable for easy lamp access.
- Reflector:** Die formed .020 aluminum 90% minimum reflectivity finished in low glare matte baked white enamel.
- Electrical:** Ballast is electronic, high power factor, thermally protected class P, sound rated A, with less than 20% total harmonic distortion. The minimum number of ballasts will be used unless otherwise specified.
- Mounting:** Standard installation is 2 x 4 exposed inverted T-bar ceiling. Optional trims are also available for installations in miniature grid, drywall or plaster ceiling. For mounting detail information consult factory. Four support brackets are included with each fixture.
- Finish:** Fixture housing and steel components are finished in baked white enamel applied over a five-stage pretreatment process.
- Lamps:** Fixtures are provided for use with four 40 or 50 watt compact fluorescent or two or three 32 watt T8 lamps. (Supplied by Others)
- Certification:** Luminaires are U. L. Listed, C.S.A. certified and are Union Made in the United States of America I.B.E.W.

ORDERING GUIDE

MODEL NO.	LAMPS	SIZE	MOUNTING	FINISH	VOLTAGE	OPTIONS
NAS-PIW	-	24	-	-	-	-
NAS-PIW	440-CF 450-CF 232-T8 332-T8	24= 2X4	G= Standard Lay-in Grid MG= Miniature Grid F= Flanged	W= White CC= Custom Color	120v 277v	See Options Below
	O= Other Specify					

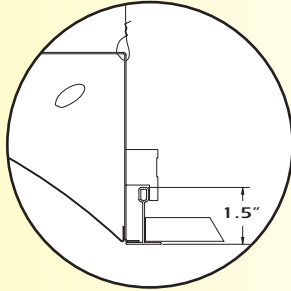
Example: **NAS-PIW-332-T8-24-G-W-277V**
New Age Series with perforated lamp shield three 32 watt T8 fluorescent 2x4 grid fixture finished in baked white enamel 277 volt electronic ballast less than 20% harmonics.

OPTIONS

- E10=** Electronic ballast, high power factor, thermally protected class P, sound rated A, <10% total harmonic distortion
- DIM=** Dimming Ballast
- EPC=** Emergency Battery Pack
- EMC=** Emergency Circuit
- TCW=** Two Circuit Wiring
- ARS=** Air return system
- FWH=** Flexible wiring harness
- OTH=** See Accessory Section for other options available

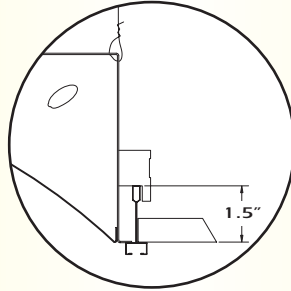
LINEAR SECTIONS AND SUSPENSION LOCATION

MOUNTING "G"



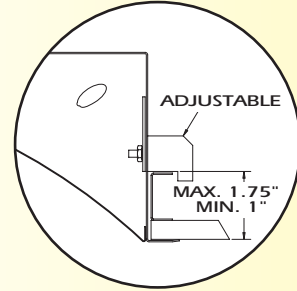
STD. 1 1/2" INVERTED "T" BAR

MOUNTING "MG"



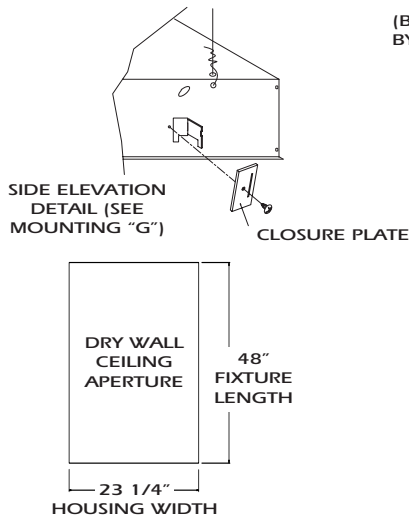
1 1/2" MINIATURE GRID CEILING

MOUNTING "F"

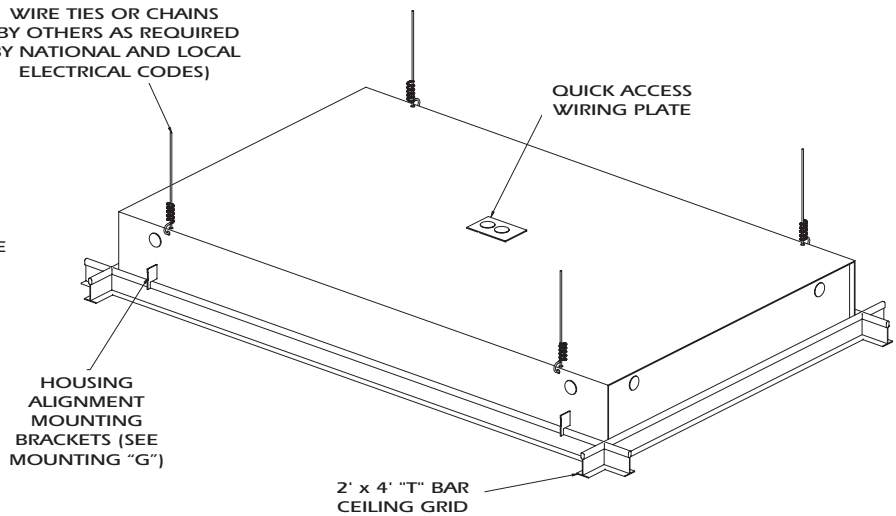


PLASTER OR DRY WALL CEILING

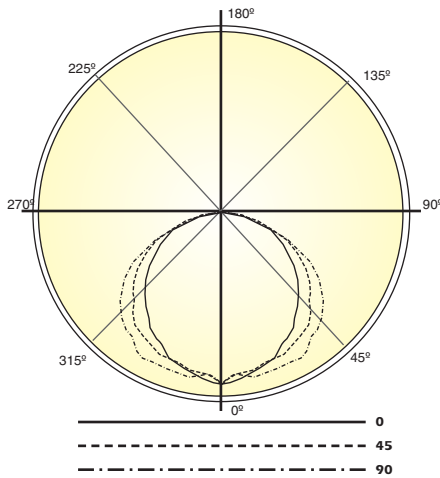
INSTALLATION PREPARATION



WIRE TIES OR CHAINS
(BY OTHERS AS REQUIRED
BY NATIONAL AND LOCAL
ELECTRICAL CODES)



PHOTOMETRY



LAMP (3) 32W T8
LUMENS: 2900 PER LAMP

Candela Distribution:

Vert. Angle	0	22.5	45	67.5	90
0	1608	1608	1608	1608	1608
5	1577	1475	1526	1547	1523
10	1522	1492	1517	1552	1568
15	1488	1439	1473	1518	1560
20	1446	1443	1469	1521	1553
25	1346	1358	1438	1506	1543
30	1305	1336	1404	1519	1550
35	1192	1252	1352	1419	1450
40	1113	1152	1298	1365	1409
45	1008	1090	1168	1287	1339
50	925	978	1088	1195	1239
55	801	876	975	1083	1131
60	688	768	853	934	974
65	593	638	727	754	791
70	483	541	562	555	538
75	358	403	379	340	339
80	248	259	218	207	220
85	125	113	103	106	92.3
90	8.18	11.6	9.00	8.98	8.98

Optical Distribution:
100% Direct

Coefficients of Utilization - Zonal Cavity Method:

pfc = 0.20

	.8	.7	.5	.3	.1	0
0	69	69	69	69	69	69
1	62	60	57	55	61	58
2	56	51	47	44	55	50
3	51	45	40	36	50	44
4	47	39	34	30	45	39
5	43	35	30	26	41	34
6	39	31	26	22	38	31
7	36	28	23	19	35	28
8	34	26	21	17	33	25
9	31	23	18	15	31	23
10	29	22	17	14	29	22



Total Luminaire Optical
Efficiency = 58.3%