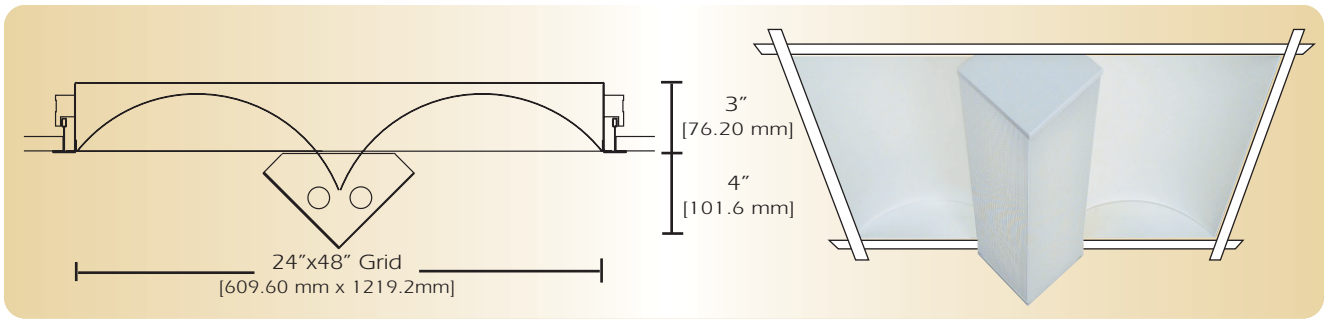


New Age Series

NAS-POV



TYPE _____

FEATURES

The NAS-POV is one variation of a complete group of Recessed Direct/Indirect luminaires featuring a centered metal perforated "v" shaped lamp shield with an acrylic overlay to obscure direct lamp image. The centered perforated lamp shield is positioned below the ceiling plane. Lamp output is distributed over a computer designed reflector system to provide soft glare-free illumination. The NAS-POV series can be used in any installation where high performance and comfortable lighting are required.

SPECIFICATIONS

- Housing:** Die formed 20-gauge cold rolled steel finished in baked white enamel. Housing has an access plate on top with two 7/8" diameter knockouts.
- Shielding:** Die formed 20 gauge perforated steel lamp shield has a 41% opening with white acrylic .020 translucent overlay. The end caps are 18 gauge and welded to lamp shield. The hinged lamp shield is removable for easy lamp access.
- Reflector:** Die formed .020 aluminum 90% minimum reflectivity finished in low glare matte baked white enamel.
- Electrical:** Ballast is electronic, high power factor, thermally protected class P, sound rated A, with less than 20% total harmonic distortion. The minimum number of ballasts will be used unless otherwise specified.
- Mounting:** Standard installation is 2 x 4 exposed inverted T-bar ceiling. Optional trims are also available for installations in miniature grid, drywall or plaster ceiling. For mounting detail information consult factory. Four support brackets are included with each fixture.
- Finish:** Fixture housing and steel components are finished in baked white enamel applied over a five-stage pretreatment process.
- Lamps:** Fixtures are provided for use with 40 or 50 watt compact fluorescent or 32 watt T8 lamps. (Supplied by Others)
- Certification:** Luminaires are U. L. Listed, C.S.A. certified and are Union Made in the United States of America I.B.E.W.

ORDERING GUIDE

MODEL NO.	LAMPS	SIZE	MOUNTING	FINISH	VOLTAGE	OPTIONS
NAS-POV	-	24	-	-	-	-
NAS-POV	440-CF 450-CF 232-T8 332-T8	24= 2X4	G= Standard Lay-in Grid MG= Miniature Grid F= Flanged	W= White CC= Custom Color	120v 277v	See Options Below
	O= Other Specify					

Example: **NAS-POV-232T8-24-G-W-277V**
New Age Series with perforated V shape lamp shield two 32 watt T8 fluorescent 2x4 grid fixture finished in baked white enamel 277 volt electronic ballast less than 20% harmonics.

OPTIONS

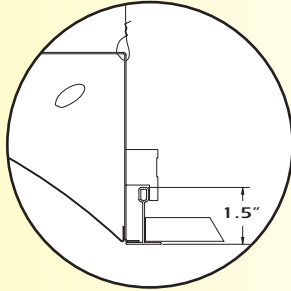
- E10=** Electronic ballast, high power factor, thermally protected class P, sound rated A, <10% total harmonic distortion
- DIM=** Dimming Ballast
- EPC=** Emergency Battery Pack
- EMC=** Emergency Circuit
- TCW=** Two Circuit Wiring
- ARS=** Air return system
- FWH=** Flexible wiring harness
- OTH=** See Accessory Section for other options available

New Age Series

NAS-POV

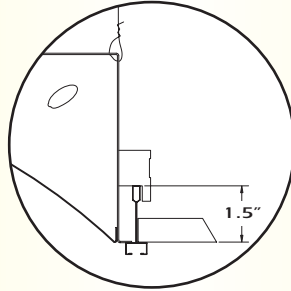
LINEAR SECTIONS AND SUSPENSION LOCATION

MOUNTING "G"



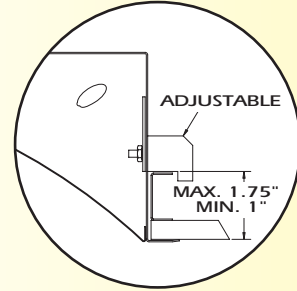
STD. 1 1/2" INVERTED "T" BAR

MOUNTING "MG"



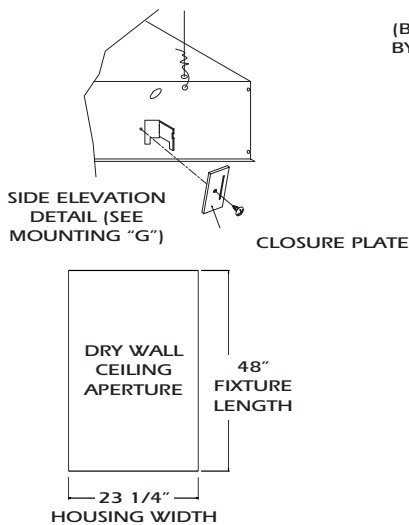
1 1/2" MINIATURE GRID CEILING

MOUNTING "F"

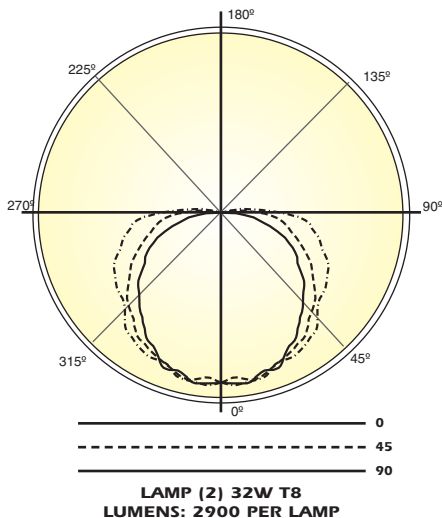


PLASTER OR DRY WALL CEILING

INSTALLATION PREPARATION



PHOTOMETRY



Candela Distribution:

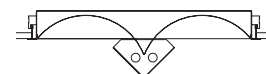
Vert. Angle	0	22.5	45	67.5	90
0	954	954	954	954	954
5	966	925	944	963	937
15	929	923	954	921	961
25	846	875	868	898	909
35	770	783	832	861	861
45	648	670	755	755	776
55	526	569	623	693	730
65	431	442	519	638	667
75	287	305	400	525	593
85	123	200	312	432	492
95	18	77.3	134	194	213
105	4.85	15.5	25.8	50.5	70.2
115	2.73	4.72	8.30	2.39	0.17
125	2.41	2.73	2.25	1.39	0
135	1.17	1.54	1.28	0.23	0
145	0.34	0.95	0.55	0	0
155	0.54	0.45	0.24	0	0
165	1	0.3	0	0	0
175	0	0	0	0	0
180	0	0	0	0	0

Optical Distribution:
5% Indirect: 95% Direct

Coefficients of Utilization - Zonal Cavity Method:

pfc = 0.20

	.8	.7	.5	.3	.1	0													
pcc	.8	.7	.5	.3	.1	0													
pw	.7	.5	.3	.1	.5	.3	.1	.5	.3	.1	0								
RCR	0	79	79	79	79	77	77	77	77	72	72	72	69	69	69	65	65	65	64
1	69	65	61	58	67	63	60	57	60	57	54	56	54	52	53	52	50	48	48
2	62	55	50	45	60	54	49	44	51	46	43	48	44	41	45	42	40	38	38
3	56	48	41	36	54	46	41	36	44	39	35	42	37	34	39	36	33	31	31
4	51	42	35	30	49	41	35	30	39	33	29	37	32	28	35	31	27	26	26
5	47	37	30	25	45	36	30	25	34	29	25	33	28	24	31	27	23	22	22
6	43	33	27	22	41	32	26	22	31	25	21	29	24	21	28	24	20	19	19
7	40	30	24	19	38	29	23	19	28	22	19	27	22	18	25	21	18	16	16
8	37	27	21	17	36	26	21	17	25	20	16	24	20	16	23	19	16	14	14
9	34	25	19	15	33	24	19	15	23	18	15	22	18	14	21	17	14	13	13
10	32	23	17	13	31	22	17	13	21	17	13	21	16	13	20	16	13	11	11



Total Luminaire Optical Efficiency = 67.3%