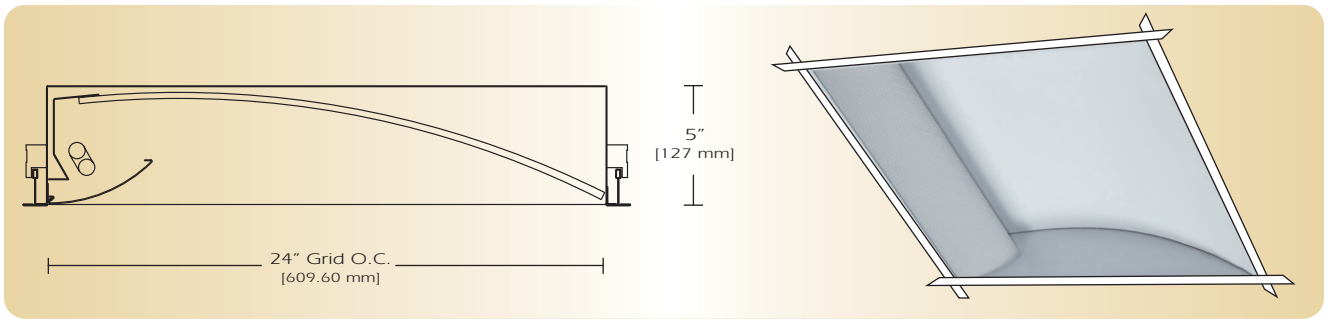


New Age Series

NAS-ERA-22



TYPE _____

FEATURES

The NAS-ERA is one variation of a complete group of Recessed Direct luminaires featuring a metal perforated lamp shield with an acrylic overlay to obscure direct lamp image. The perforated lamp shield is asymmetrically positioned above the ceiling plane. Lamp output is distributed over a computer designed reflector system to provide soft glare-free illumination. The NAS-ERA series can be used in any installation where high performance and comfortable lighting are required.

SPECIFICATIONS

- Housing:** Die formed 20-gauge cold rolled steel finished in baked white enamel. Housing has an access plate on top with two 7/8" diameter knockouts.
- Shielding:** Die formed 20 gauge perforated steel lamp shield has a 41% opening with white acrylic .020 translucent overlay. The hinged lamp shield is removable for easy lamp access.
- Reflector:** Die formed .020 aluminum 90% minimum reflectivity finished in low glare matte baked white enamel.
- Electrical:** Ballast is electronic, high power factor, thermally protected class P, sound rated A, with less than 20% total harmonic distortion. The minimum number of ballasts will be used unless otherwise specified.
- Mounting:** Standard installation is 2 x 2 exposed inverted T-bar ceiling. Optional trims are also available for installations in miniature grid, drywall or plaster ceiling. For mounting detail information consult factory. Four support brackets are included with each fixture.
- Finish:** Fixture housing and steel components are finished in baked white enamel applied over a five-stage pretreatment process.
- Lamps:** Fixtures are provided for use with 40 or 50 watt compact fluorescent or 17 watt T8 lamps. (Supplied by Others)
- Certification:** Luminaires are U. L. Listed, C.S.A. certified and are Union Made in the United States of America I.B.E.W.

ORDERING GUIDE

MODEL NO.	LAMPS	SIZE	MOUNTING	FINISH	VOLTAGE	OPTIONS
NAS-ERA	-	22	-	-	-	-
NAS-ERA	140-CF 150-CF 117-T8	22= 2X2	G= Standard Lay-in Grid MG= Miniature Grid F= Flanged	W= White CC= Custom Color	120v 277v	See Options Below
	O= Other Specify					

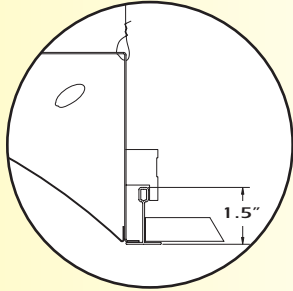
Example: **NAS-ERA-140CF-22-G-W-120V**
New Age Series with perforated lamp shield one 40 watt compact fluorescent 2x2 grid fixture finished in baked white enamel 120 volt electronic ballast less than 20% harmonics.

OPTIONS

- E10=** Electronic ballast, high power factor, thermally protected class P, sound rated A, <10% total harmonic distortion
- DIM=** Dimming Ballast
- EPC=** Emergency Battery Pack
- EMC=** Emergency Circuit
- ARS=** Air return system
- FWH=** Flexible wiring harness
- OTH=** See Accessory Section for other options available

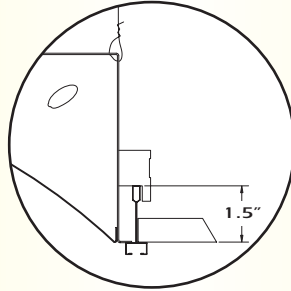
LINEAR SECTIONS AND SUSPENSION LOCATION

MOUNTING "G"



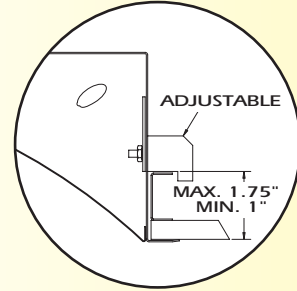
STD. 1 1/2" INVERTED "T" BAR

MOUNTING "MG"



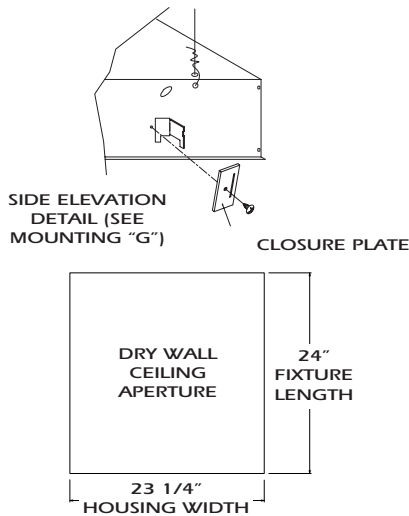
1 1/2" MINIATURE GRID CEILING

MOUNTING "F"



PLASTER OR DRY WALL CEILING

INSTALLATION PREPARATION

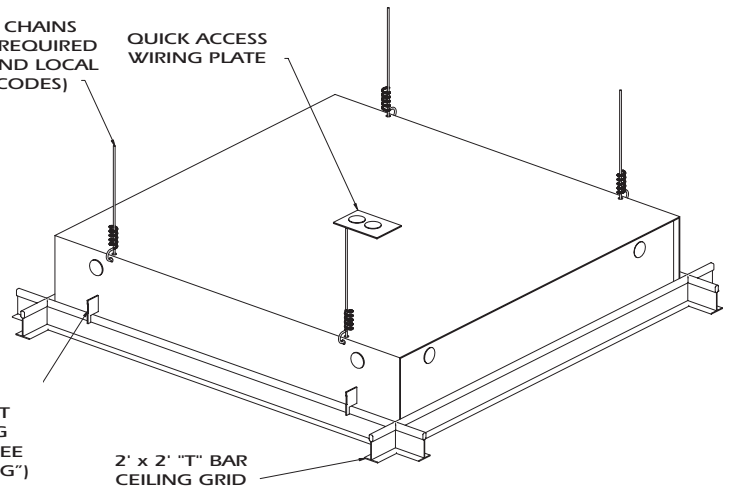


WIRE TIES OR CHAINS (BY OTHERS AS REQUIRED BY NATIONAL AND LOCAL ELECTRICAL CODES)

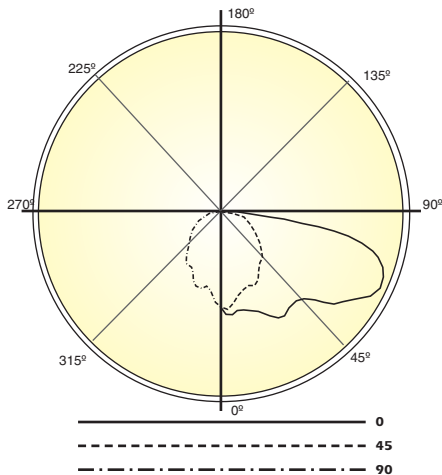
QUICK ACCESS WIRING PLATE

HOUSING ALIGNMENT MOUNTING BRACKETS (SEE MOUNTING "G")

2' x 2' "T" BAR CEILING GRID



PHOTOMETRY



LAMP (1) 40W C.F.
LUMENS: 3150 PER LAMP

Candela Distribution:

Vert. Angle	0	22.5	45	67.5	90
0	462	462	462	462	462
5	473	434	457	478	511
10	426	435	505	485	492
15	401	422	467	500	502
20	384	433	482	520	520
25	392	427	472	534	564
30	366	422	485	562	600
35	327	372	455	539	585
40	303	369	468	544	580
45	287	339	456	538	605
50	256	328	447	600	707
55	224	304	431	658	758
60	189	285	447	717	837
65	167	272	461	743	865
70	141	257	485	716	842
75	106	239	422	651	773
80	83.7	180	296	446	553
85	46.5	71.2	81.7	87.4	92.4
90	6.67	7.15	8.48	7.38	6.83

Optical Distribution:
100% Direct

Coefficients of Utilization - Zonal Cavity Method:

pfc = 0.20

	.8	.7	.5	.3	.1	0
pcc	.8	.7	.5	.3	.1	0
pw	.7	.5	.3	.1	.5	.3
RCR	.1	.7	.5	.3	.1	.5
0	69	69	69	69	67	67
1	61	58	55	52	60	57
2	55	49	44	40	53	48
3	49	42	36	32	47	41
4	44	36	30	26	43	36
5	40	32	26	22	39	31
6	37	29	23	19	36	28
7	34	26	20	16	33	25
8	32	23	18	14	31	23
9	30	21	16	13	29	21
10	28	19	15	11	27	19



Total Luminaire Optical Efficiency = 58.7%