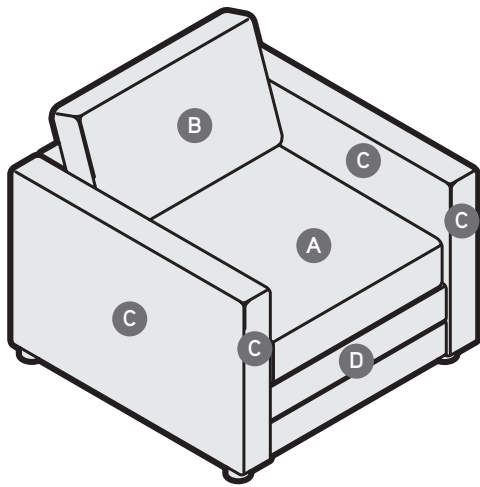


# Palermo Contrasting Sketches



Model 13-70 Shown Above

TO: \_\_\_\_\_

FROM: \_\_\_\_\_

DATE: \_\_\_\_\_

FAX....888.413.5161

**A** Seat (upholstery selections default for entire unit if B is not selected): \_\_\_\_\_

**B** Back: \_\_\_\_\_

**C** Arms: \_\_\_\_\_

**D** Base Frame: \_\_\_\_\_

\$105 list per contrasting fabric specified.  
List price based on highest grade textile specified.

Specify model below:

13-70 Chair

13-80 Two Seat Sofa

13-85 Three Seat Sofa