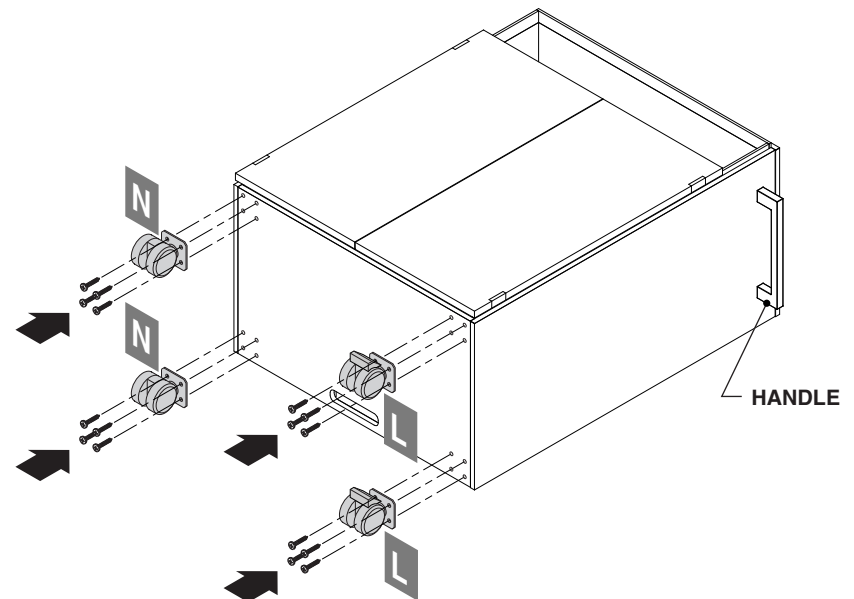
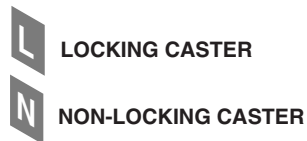
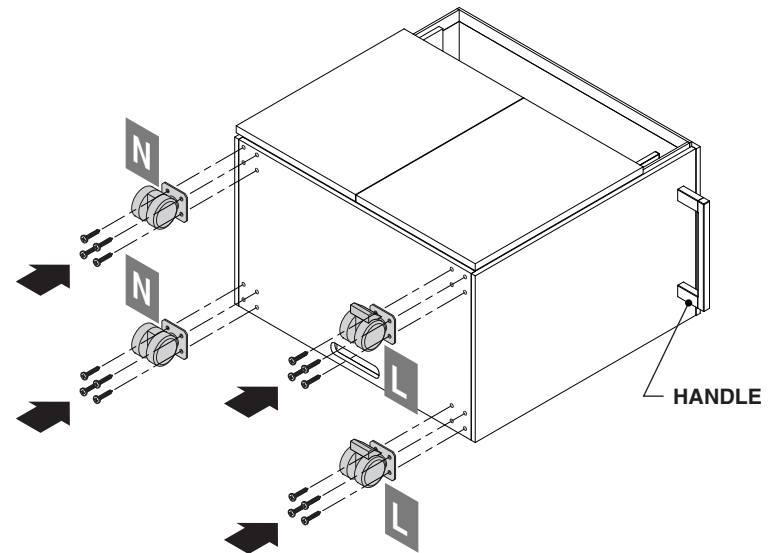


1. Place the unit on its back, on a protected surface.

2. Locate the two (2) locking casters. Place these casters on the same end of the cart that has the handle.

3. Locate the remaining two (2) non-locking casters on the opposite end of the unit.

4. Attach the casters using the supplied hardware and tighten to 40 in-lbs.



If you have a problem, question, or request, call your local dealer, or Coalesse at 1.800.627.6770 Or visit our website: www.coalesse.com

© 2011 Coalesse
San Francisco, California U.S.A.
Printed in U.S.A.