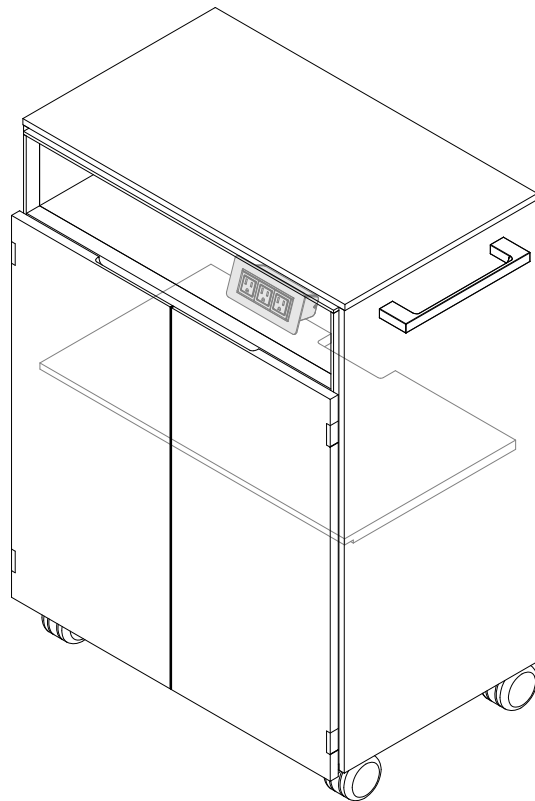
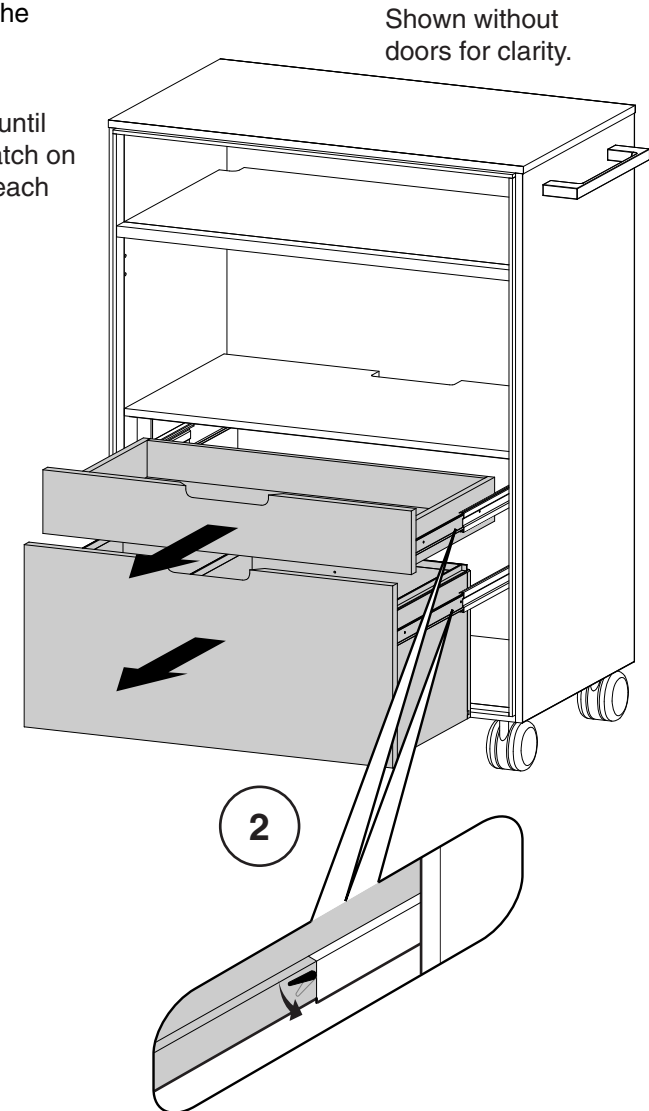
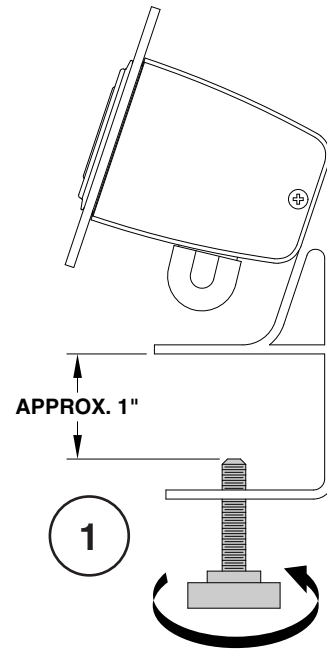


Exponents™ Moby Relocatable Power Tap (RPT) Unit



1. Loosen the thumb screws on the RPT so there is roughly 1" between the screws and the mounting bracket. This will allow the RPT mounting bracket to slide over the shelf.

2. Pull the box and file drawers out until they stop. Press down on the lock catch on each side of drawer and pull out on each drawer as shown.



If you have a problem, question, or request, call your local dealer, or Coalesse at 1.800.627.6770 Or visit our website: www.coalesse.com

© 2011 Coalesse
San Francisco, California U.S.A.
Printed in U.S.A.

3. Insert the RPT mounting bracket and cord through the cutout in the back of the shelf (3a). Slide the RPT unit to either side of the cabinet (3b).

4. Route the cord down the back of the unit and out the cutout in the bottom panel.

5. Tighten the RPT thumb screws until the unit is held securely in place.

6. Reinstall box and file drawers that were removed on step 2.

