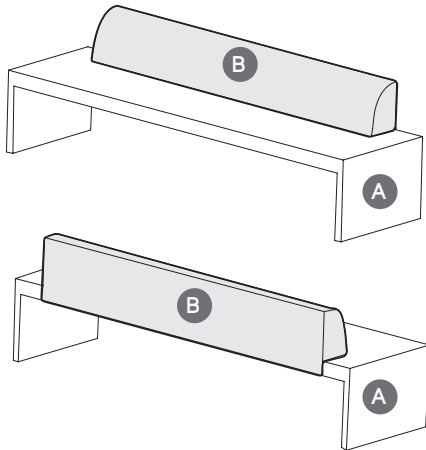


# Together Contrasting Sketches



TO: \_\_\_\_\_

FROM: \_\_\_\_\_

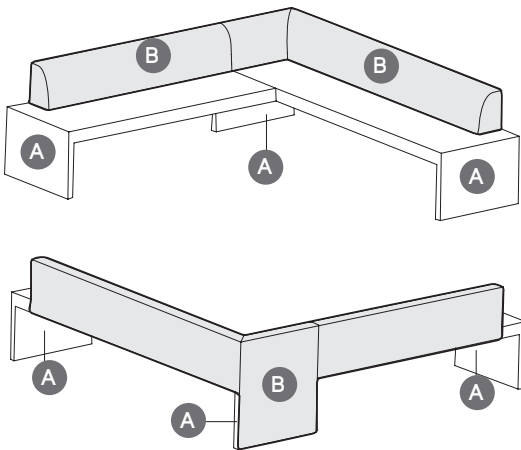
DATE: \_\_\_\_\_

FAX...888.413.5161

## Together Bench/Straight with Back

**A** Upholstery selections (default for entire unit if B is not selected): \_\_\_\_\_

**B** Back: \_\_\_\_\_



## Together Bench/Corner with Back

**A** Upholstery selections (default for entire unit if B is not selected): \_\_\_\_\_

**B** Back: \_\_\_\_\_