

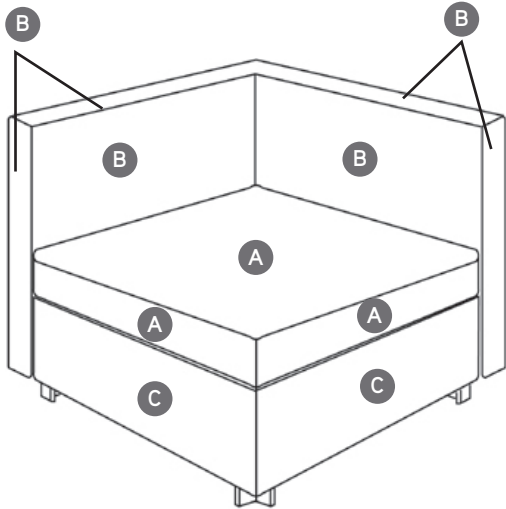
14-5 Evaneau Contrasting Sketches

TO: _____

FROM: _____

DATE: _____

FAX....888.413.5161



A Seat (upholstery selections default for entire unit if B is not selected): _____

B Back: _____

C Base Frame: _____

\$105 list per contrasting fabric specified.
List price based on highest grade textile specified.

