

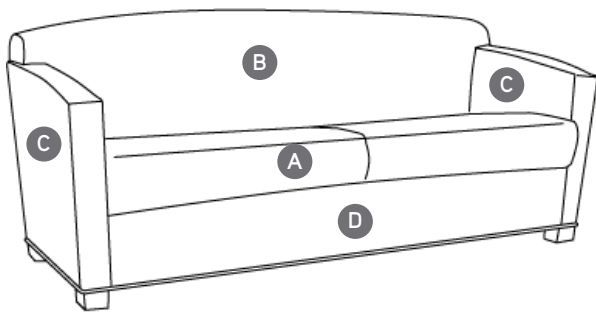
Swathmore Grande Contrasting Sketches

TO: _____

FROM: _____

DATE: _____

FAX....888.413.5161



A Seat (upholstery selections default for entire unit if B is not selected): _____

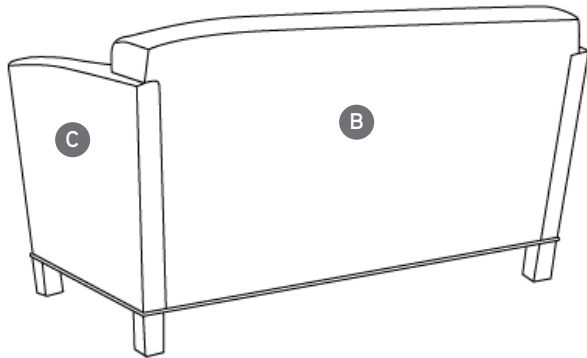
B Back: _____

C Arms: _____

D Base Frame: _____

\$105 list per contrasting fabric specified.
List price based on highest grade textile specified.

* Contrasting welt offered as a separate option. \$116 upcharge.



Specify model below:

- 243 Swathmore Grande Chair
- 243-2 Swathmore Grande Two Seat Sofa
- 243-3 Swathmore Grande Three Seat Sofa
- 243B-30 Swathmore Grande Bariatric
- 243B-40 Swathmore Grande Bariatric
- 244 Swathmore Grande Chair/Wood Louver Base
- 244-2 Swathmore Grande Two Seat Sofa /Wood Louver Base
- 244-3 Swathmore Grande Three Seat Sofa /Wood Louver Base

Model 243-2 Shown Above