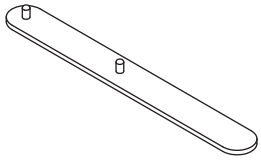


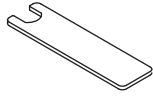
V7TM Installation Instructions

INSTALLATION HARDWARE

Hardware Kit



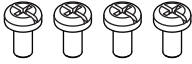
Two-Prong Spanner Wrench



10 mm Flat Wrench



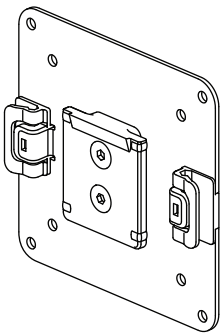
Hex Key (2mm)



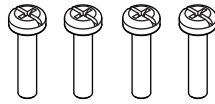
4 Standard VESA Bracket Screws



4 Keyboard Tray Screws



VESA Bracket



4 Extended VESA Bracket Screws



4 Plastic Spacers



4 3M Dual Lock Coins

Additional hardware required:
Electric drill with 3" driver or driver extension

STEP 1: MOUNT TRACK TO WALL

a. For new construction, Track can be mounted to a wall stud or mounting board. For existing construction, test the wall by drilling a pilot hole to determine what fasteners are most suitable for installation. Be sure to drill the pilot hole in a spot that will be covered by the Track.

Recommendations:

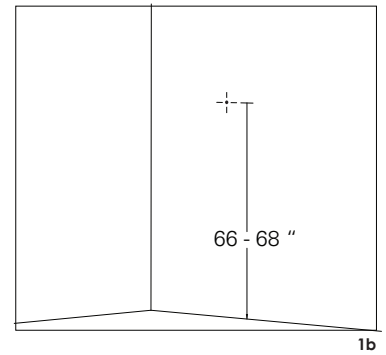
For wood – Use 2" #10 flat-head wood screws.

For metal – Use 2 3/4" #10 flat-head self-tapping screws.

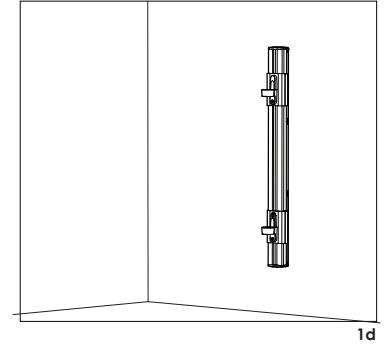
For drywall – Use 3/16" flat-head toggle bolts (Hilti brand recommended).

Note: For exact fastener requirements, please refer to OSHPD specifications (OPA-2238-07) included.

b. Choose the desired hole location for top fastener, ideally 66" to 68" off the floor. Drill hole and install appropriate fastener.

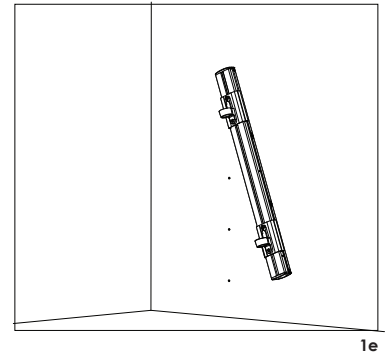


c. Hold Track against the wall and fasten using the appropriate fastener in pre-drilled hole.



d. Use level to ensure Track is perfectly plumb. Mark the other 4 mounting hole locations.

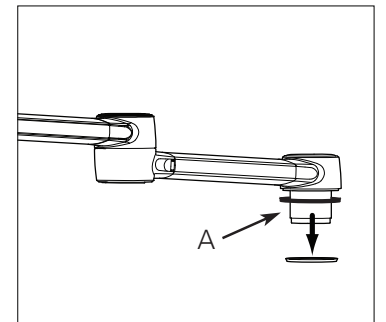
e. Pre-drill the 4 remaining mounting holes and install appropriate fastener.



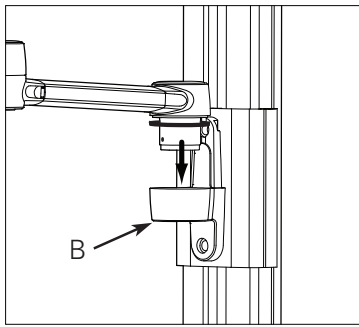
f. Fasten Track with appropriate fasteners in the remaining mounting holes. Be sure to tighten fully so fastener heads do not protrude beyond track surface.

STEP 2: ATTACH MONITOR ARM TO TRACK

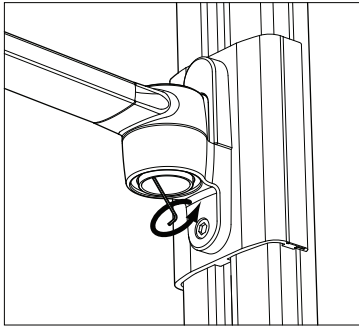
a. Unscrew aluminum nut from the bottom of Aluminum Bushing (A).



b. Slide Aluminum Bushing into top Slider Assembly (B), ensuring set screw is aligned with the small notch in the mount. Be sure Plastic Washer sits between Monitor Arm and Track Mount.

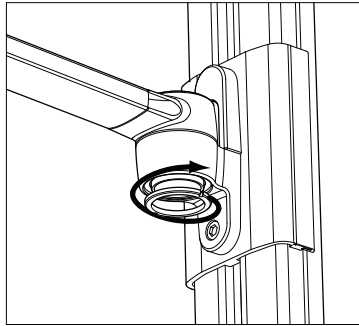


c. Using the ball end of the 2mm Hex Key (provided), tighten Set Screw located inside Aluminum Bushing.



Note: Set Screw does not need to be fully tightened, but should prevent Bushing from rotating.

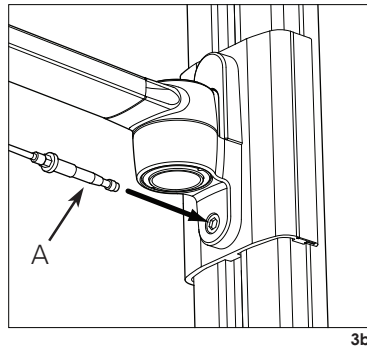
d. Reattach the aluminum nut to the bottom of Aluminum Bushing. Tighten using Two-Prong Spanner Wrench (provided).



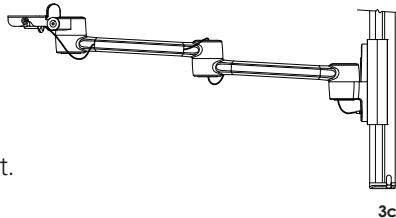
STEP 3: ATTACH KEYBOARD ARM TO TRACK

a. Repeat Step 2 to attach Keyboard Arm.

b. Insert Threaded Screw attached to the length of Cable (A) into the hole in Slider Assembly. Tighten fully.

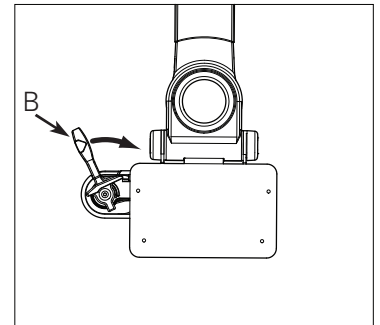


c. Distribute cable evenly throughout Keyboard Arm, ensuring equal amounts of slack are available at each joint.

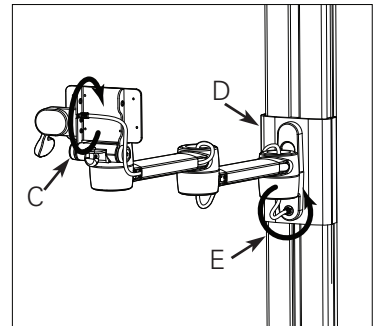


Note: Release Handle will not function properly unless cable is evenly distributed throughout the arm.

d. Try Release Handle (B) to ensure it functions properly. Arm should move freely when the Release Handle is triggered.



Note: If necessary, adjust cable tension using adjustment under the Keyboard Mount (C) and at the point where it connects to Track (D). Additional cable tension adjustment can be achieved by tightening the screw on Mount (E).

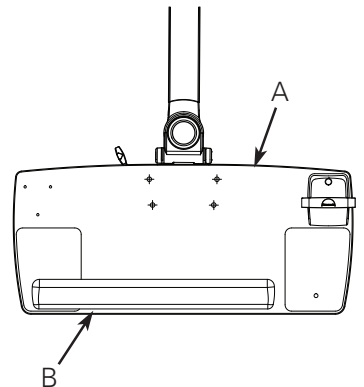


STEP 4: ATTACH KEYBOARD TRAY TO KEYBOARD ARM

a. Place Keyboard Tray (A) on top of Keyboard Arm and align holes.

b. Fasten Keyboard Tray to Keyboard Arm using 4 Keyboard Tray Installation Screws.

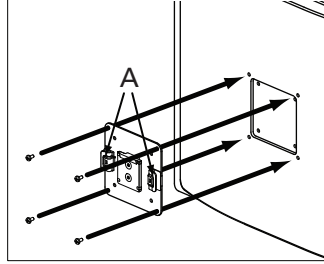
c. Snap Palm Rest (B) into the holes on Keyboard Tray.



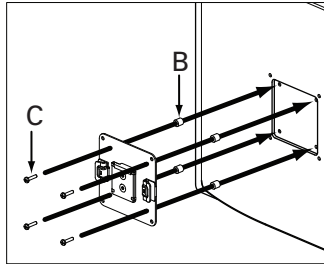
STEP 5: ATTACH MONITOR TO MONITOR ARM

a. Attach appropriate VESA bracket to Monitor.

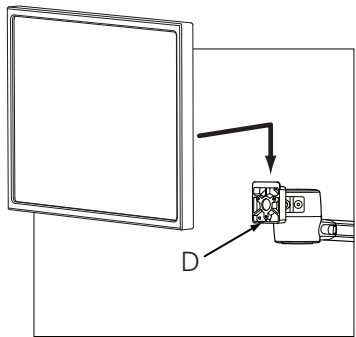
i. Place VESA Bracket in position on back of Monitor with Lips (A) on the left and right. Attach using 4 Standard VESA Bracket Screws.



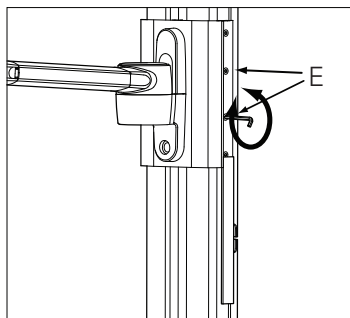
ii. If mounting space for 75mm VESA bracket is inset into back of Monitor, place 4 Plastic Spacers (B) between VESA Bracket and Monitor. Align hole pattern. Using 4 Extended VESA Bracket Screws (C), attach through Spacers.



b. Slide VESA Bracket into Ball Joint (D) until it clicks.



c. Monitor should ride up and down effortlessly and stay in position when set. If Monitor tends to drift up or down, tension may be adjusted via the two center screws (E) under the white plastic slide on each side of Mount. Using Hex Key located under Keyboard Tray, loosen screws to increase tension and tighten screws to decrease tension.

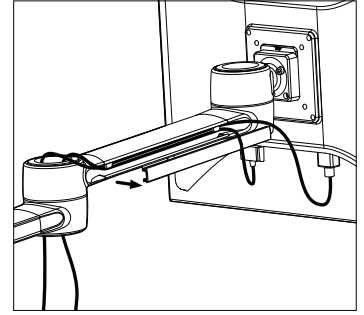


Note: Do NOT adjust top or bottom screw.

CABLE MANAGEMENT

a. Route monitor cables starting from Monitor going to Track.

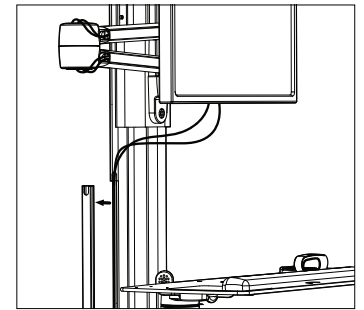
i. Remove gray arm covers from one side of Monitor Arm. Insert monitor cables into the groove of Monitor Arm's front link. Thread cables behind the cable management tabs to hold them in place. Check that Monitor has enough slack to rotate, then replace front arm cover.



ii. Route cables down through Monitor Arm's center joint. Repeat above step to route cables through Monitor Arm's rear link. Check that Monitor Arm has enough slack to bend and move, then replace rear arm cover.

b. Route monitor cables through Track.

i. Remove cable management covers on one side of Track. Insert monitor cables into the groove of Track. Replace cable management covers.



Note: Where monitor cables exit Track should be determined by the location of your CPU and nearest outlet.

c. Repeat above steps to route keyboard and mouse cables.

ATTACH KEYBOARD TO KEYBOARD TRAY

- Place 4 3M Dual Lock Coins on the underside of Keyboard.
- Once attached, remove the film from the exposed sides of Dual Lock Coins and attach to Keyboard Tray.