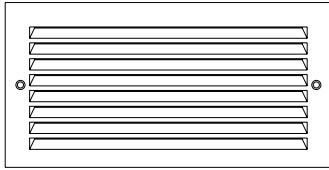


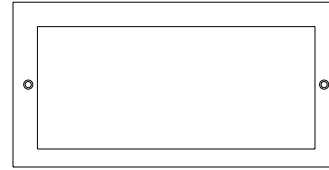
INSTALLATION SHEET

Safety, Warnings and Suggestions

- ¹ **Avoid** installing fixtures in locations where water collects and stands for prolonged periods.
- ² **Make** sure that electrical power is disconnected before any work is performed.
- ³ **All** wiring and installation should meet local, state and national electrical codes.



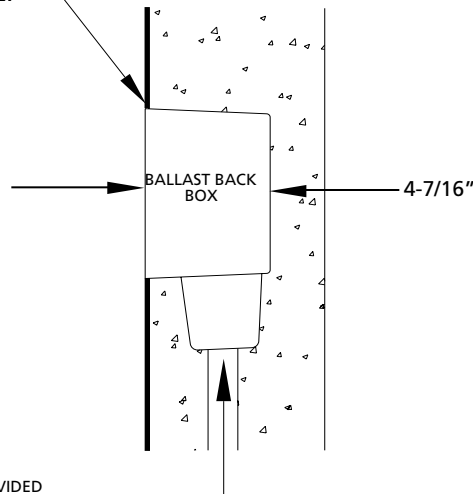
SP-05



SP-05-OLF

BACK BOX SHOULD BE FLUSH TO WALL SURFACE.

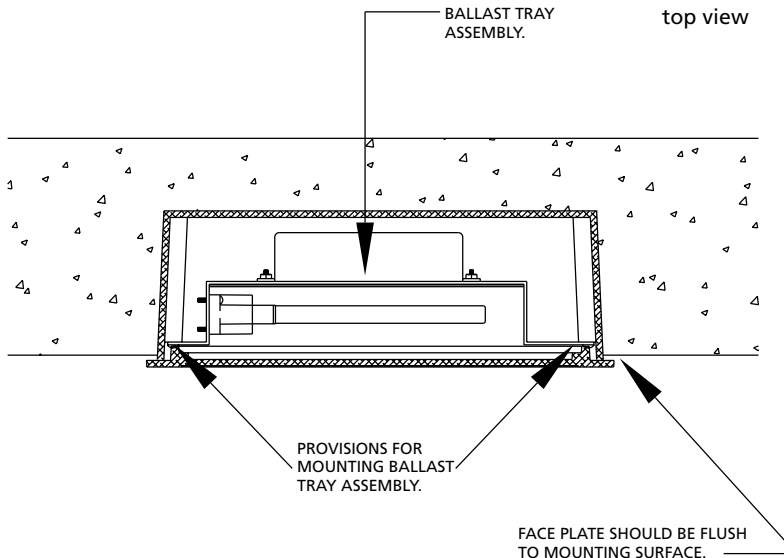
side view



(2) PROVISIONS PROVIDED FOR CONDUIT.

1. Remove face plate, internal reflector and internal ballast tray. Make sure all hardware is carefully saved until needed.
2. With back box by itself, connect conduit to the provisions on the bottom of the back box. See illustration for details.
3. Once the conduit has been connected, Secure back box to wall opening or any mounting provisions being used to hold box in place. Make sure that back box is flush to wall or to any other mounting provisions being used. See installation sheet for details.
4. After all preparations to wall have been finished, carefully clean out any dirt left inside of back box.
5. Install and secure ballast tray with hardware provided. Carefully make all necessary connection using UL listed connectors.
6. Install and secure reflector to ballast tray with available hardware. Make sure to install proper lamp source as designated on lamp label.
7. Install face plate onto back box by using screws provided. Once face plate has been tightened, See illustration for details.

top view



PROVISIONS FOR MOUNTING BALLAST TRAY ASSEMBLY.

FACE PLATE SHOULD BE FLUSH TO MOUNTING SURFACE.