

Low Level Lighting
8" Round Aluminum Bollard
Landscape Accent
Walkways
Building Entrances
Planter Areas
Parks
Parking Lots



Specifications



- Certifications** The fixture shall be ETL and CETL listed for wet location.
- Light Distribution** The LL-04 luminaire shall meet the specified light distribution and footcandle levels with an internal optical system.
- Assembly** The fixture shall be factory pre-wired, with high temperature wire completely assembled and tested prior to shipment. Field installation to mounting base shall be accomplished without having to remove or disassemble any fixture components. Fixture shall be ETL listed "suitable for wet locations."
- Housing** The housing shall be constructed from 8" diameter one piece extruded 6063 alloy aluminum tube.
- Ballast** Ballast shall be readily accessible, removable and insulated. Quick disconnects are standard.
- Lens** Clear or opal 1/4" thick polycarbonate.
- Optical Assembly** The specified optical system shall be of all non-ferrous components, mounted and removable as a one-piece self-contained unit.
- Finish** BK-BZ-WH-GR-GY-NA baked enamel standard, other colors available.. Anodized finish also available.

PROJECT
FIXTURE TYPE
CATALOG#

2930 South Fairview Street
 Santa Ana, CA 92704
 Phone: 714 668 3660
 Fax: 714 668 1107
 allighting@earthlink.net
 http://www.allighting.com

LL-04

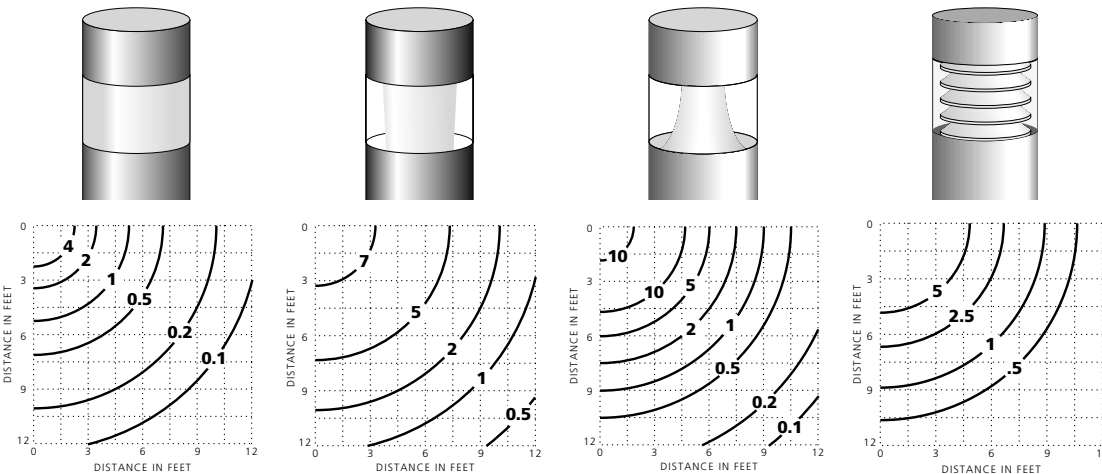
Product Order Guide

Series	Max Watts	Lamp Type	Voltage ¹	Optical System	Overall Height	Finish ¹	Options
LL-04	35 LPS	T17	120	O	30"	BZ Bronze	F Fusing
	100 MH	E-17	208	CLF	36"	BK Black	FF Double Fusing
	100 HPS	E-17	240	CLR ⁴	42"	WH White	DT Dome Top
	26 CFQ	CFQ ²	277	CLL		GR Green	HSS House Side Shield
	42 CFT	CFT ²				NA Natural Aluminum	CON Concrete Base ³
	13 CF	CF ²				GY GRAY	EMG Emergency Battery Backup
						CC Custom Color	HDBP Heavy Duty Base Plate
						BAA Clear Anodized	
						BZA Bronze Anodized	
						BKA Black Anodized	

- 1 Consult factory for other colors and voltages
- 2 CF = single biax, CFQ = double biax, CFT = triple biax
- 3 Anti-Graffiti Coating standard
- 4 CLR does not accept 35LPS lamp.

Example: LL-04-70HPS-E17-120-CLR-42-BZ-PL

Photometric Data

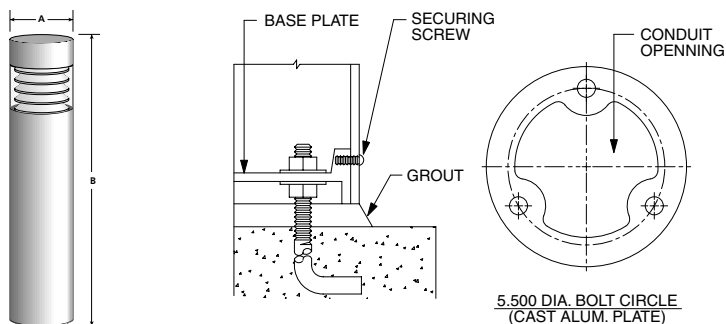


ISOLUX Curves—value in initial footcandles
 Clear Lamp
 5,800 Lumens
 36" Mounting Height

LL-04-70HPS-O-36 LL-04-70HPS-CLF-36 LL-04-70HPS-CLR-36 LL-04-70HPS-CLL-36

Luminaire Dimensions

Luminaire	A	B	Weight
LL-04	8"	30"	28#
		36"	30#
		42"	32#



Anchor Bolt Size
 (3) 1/2" x 12" x 3"