

Low Level Lighting

Vandal Resistant

Landscape Accent

Parks

Walkways



Specifications



- Certifications** The fixture shall be ETL and CETL listed for wet location.
- Light Distribution** The luminaire shall meet the specified light distribution and footcandle levels with an internal optical system.
- Assembly** The fixture shall be factory pre-wired, with high temperature wire completely assembled and tested prior to shipment. Field installation to mounting base shall be accomplished without having to remove or disassemble any fixture components. Fixture shall be ETL listed "suitable for wet locations."
- Housing** The fixture housing is heavy cast aluminum to discourage vandalism. Housing mounting post shall be constructed from 6" diameter aluminum 6063 one piece extruded tube. Anchor bolts included.
- Ballast** Ballast shall be readily accessible, removable and insulated. Quick disconnects are standard.
- Lens** Standard lens is Type V acrylic. Type III acrylic and Type V or III polycarbonate are also available.
- Optical Assembly** The specified optical system shall be of all non-ferrous components, mounted and removable as a one-piece self-contained unit.
- Finish** BK-BZ-WH-GR-GY-NA baked enamel standard, other colors available.

PROJECT
FIXTURE TYPE
CATALOG#

2930 South Fairview Street
 Santa Ana, CA 92704
 Phone: 714 668 3660
 Fax: 714 668 1107
 allighting@earthlink.net
 http://www.allighting.com

LL-10

Product Order Guide

Series	Max Watts	Lamp Type	Voltage ¹	Refractor Lens Type	Overall Height	Finish ¹	Options
LL-10	18 LPS	T17	120	VP	36"	BZ Bronze	F Fusing
	100 MH	E-17	208	IIIP	42"	BK Black	FF Double Fusing
	150 HPS	E-17	240	VA	48"	GR Green	PCB Photo Control
	42 CFT	CFT ²	277	IIIA	60"	WH White	HSS House Side Shield
	26 CFQ	CFQ ²			72"	NA Natural Aluminum	EMG Emergency Battery Backup
	13 CF	CF ²			84"	GY Gray	HDBP Heavy Duty Base Plate
					96"	CC Custom Color	

¹ Consult factory for other colors and voltages

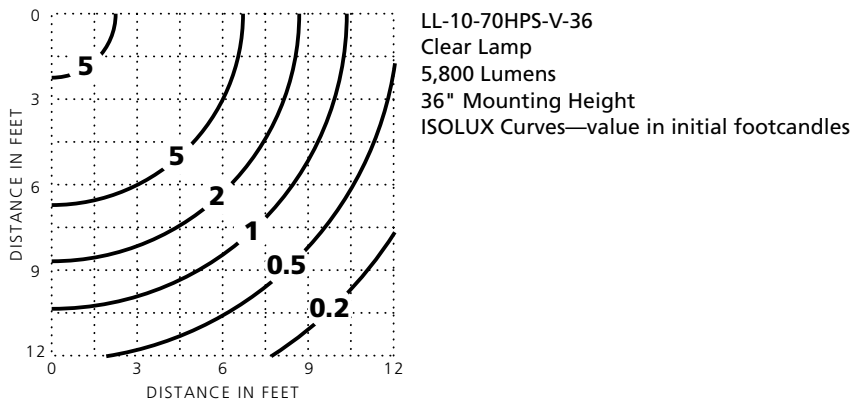
² CF = single biax, CFQ = double biax, CFT = triple biax

Refractor Lens Type

VP Type 5 Polycarbonate
 IIIP Type 3 Polycarbonate
 VA Type 5 Acrylic
 IIIA Type 3 Acrylic

Example: LL-10-100MH-E17-120-VP-42-BZ-PCB

Photometric Data



Luminaire Dimensions

	A	B	C	D	Weight
Luminaire	13-1/2"	13-1/2"	N/A	N/A	27#
Post	N/A	N/A	28"	6" Rd	10#

