

Specification Grade

Sign Accent

Building Entrances

Doorways

Pedestrian Areas

Walkways

Building Accent

Wall Wash



Specifications



Certifications

ETL and CETL listed for wet location and meets IP65 standard, dust-tight and water-jet proof.

Fixture Housing/Knuckle

The fixture housing is constructed of heavy wall aluminum casting with a minimum 3/16" thickness. The knuckle is constructed of heavy wall die cast aluminum castings.

Lens

Clear tempered 3/16" thick, silicone sealed to lens frame.

Lens Frame

Cast aluminum minimum thickness of 3/16". Attached to fixture housing with two stainless steel hinge pins and two stainless steel cap screws.

Reflectors

Spun aluminum highly specular Alzak™ finish for either type R2 spot (2H2V) or R3 flood (3H3V) distribution. Three segmented asymmetric reflectors are available, types R4 (6H7V), R5 (7H5V) and R6 (7H7V).

Lamp Holder

Porcelain 4kv pulse rated medium base for HID and Incandescent lamp sources.

Options

Color Filter (CF), Polycarbonate Lens Shield (PL), Barndoors (BD), Grid Louver (GL), Visor (V), Fusing (F), Double Fusing (FF), Quartz Standby (QS), Photo Control Button (PCB).

Mounting Detail

The FL-04 Knuckle is field adjustable up to 116° tilt and 360° horizontal rotation and slips over a 2-3/8" tenon. The FL-04 may be horizontal surface mounted using either the Pier Mount (PM) or Stanchion Mount (SM) options. The FL-04 may be wall or pole mounted using the Designer Wall Bracket (DWB), Standard Wall Bracket (WBT) or the Heavy Duty Wall Bracket (AWBT). Call factory for custom mounting arrangements. Mounting hardware and junction box by others.

Finish

BK-BZ-WH-GR-GY-NA baked enamel paint standard. Powder coat and custom colors available on request.

PROJECT
FIXTURE TYPE
CATALOG#

2930 South Fairview Street
 Santa Ana, CA 92704
 Phone: 714 668 3660
 Fax: 714 668 1107
 allighting@earthlink.net
 http://www.allighting.com

FL-04

natural aluminum

Product Order Guide

Series	Mounting Type	Max Watts	Lamp Type	Voltage ¹	Reflector Type	Finish ²	Options
FL-04	K	175 MH	E17	120	R2 2H2V Spot	BK ³ Black	CF Color Filter
		150 MH	T6	208	R3 3H3V Flood	BZ ³ Bronze	PL Polycarbonate Lens Shield
		150 HPS	E17	240	R4 6H7V Asym	WH ³ White	BD Barn Doors
				277	R5 7H5V Asym	GR ³ Green	GL Grid Louver
		250 HAL	T4 ⁴	120	R6 7H7V Asym	NA ³ Natl Aluminum	V Visor
						GY ³ Gray	DWB Designer Wall Bracket
						CC ³ Custom Color	PM Pier Mount
							SM Stanchion Mount
							WBT Wall Bracket with Tenon
							AWBT Heavy Duty Wall Bracket
							JBA Junction Box 1/2" NPT Adaptor
							F Fusing
							FF Double Fusing
							QS Quartz Standby
							PCB Photo Control Button

bronze

gray

¹ Consult factory for other voltages.

² Consult factory for other finishes.

³ Baked enamel paint is standard, powder coat is optional.

⁴ T4, Clear lamp and Mini-Can Base

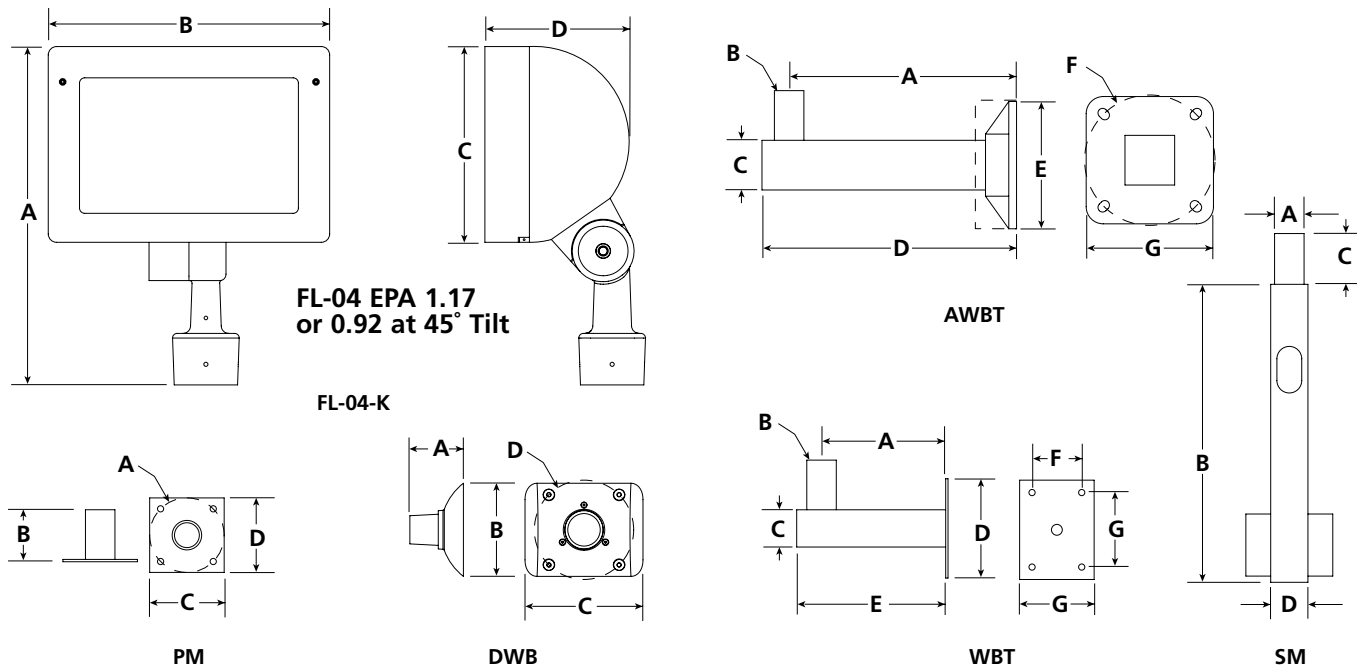
Note: E-17 Lamps 175W and below are medium base
 CF=single biax, CFQ=double biax, CFT=triple biax

Example: FL-04-K-175MH-E17-277-R2-BK-DWB

Luminaire Dimensions

Luminaire	A		B		C		D		E		F		G		Weight	
	Inch	mm	Inch	mm	Inch	mm	Inch	mm	Inch	mm	Inch	mm	Inch	mm	lbs.	kg
FL-04-K	16.42	417	13.50	343	9.50	241	7.00	178	n/a	n/a	n/a	n/a	n/a	n/a	35	15.9
PM	6.00	152	4.00	102	6.00	152	6.00	152	n/a	n/a	n/a	n/a	n/a	n/a	3	1.4
SM	2.375	60	24.00	610	4.09	104	3.00	76	n/a	n/a	n/a	n/a	n/a	n/a	4	1.8
WBT	10.00	254	2.375	60	3.00	76	8.00	203	12.00	305	4.00	102	6.00	152	7	3.2
AWBT	18.31	465	2.375	60	4.00	102	20.50	521	10.25	260	10.50	268	10.25	260	15	6.8
DWB	4.31	109	7.50	191	9.50	241	8.00	203	n/a	n/a	n/a	n/a	n/a	n/a	5	2.3

white



black