

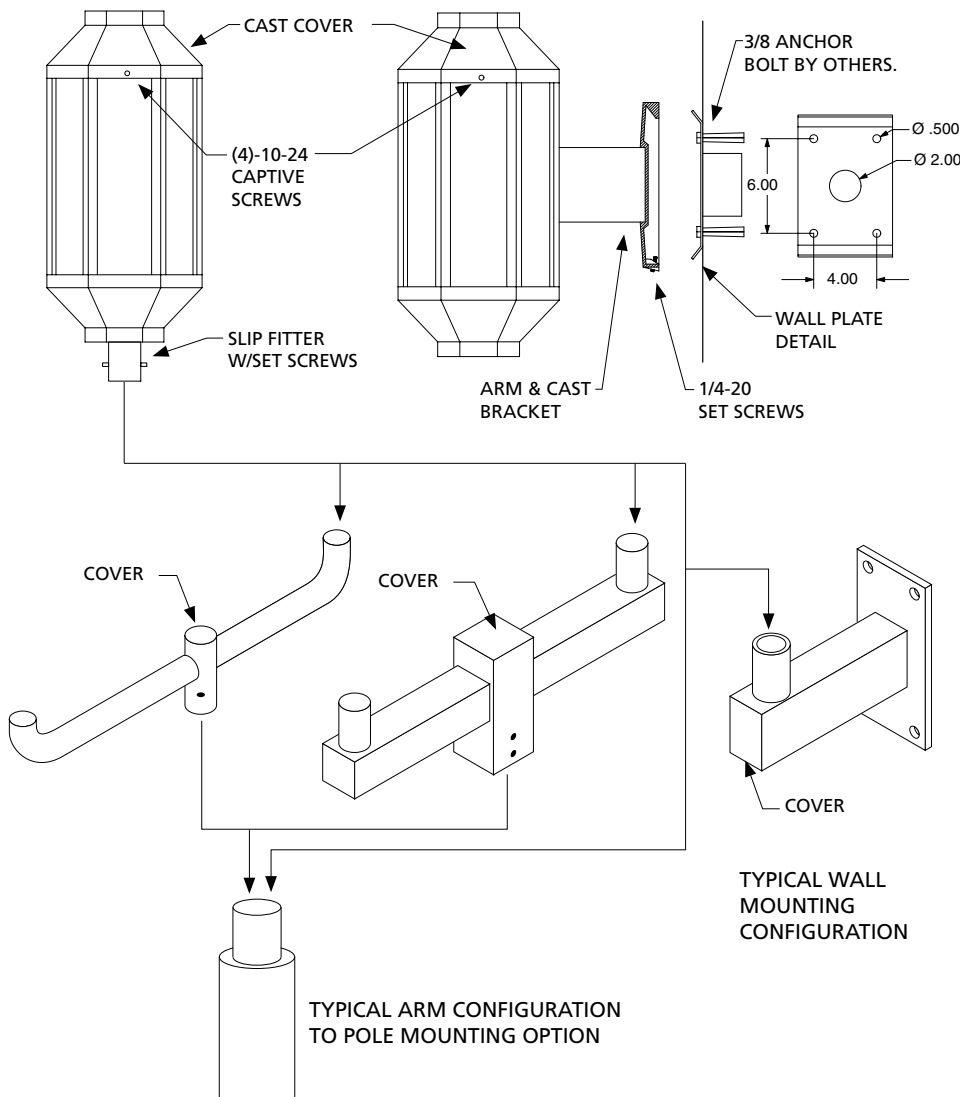
INSTALLATION SHEET

Safety, Warnings and Suggestions

- ¹ *Care* should be taken not to position fixtures in locations where bare skin can come into contact with the potentially high temperatures on the lens.
- ² *Avoid* installing fixtures in locations where water collects and stands for prolonged periods.
- ³ *Make* sure that electrical power is disconnected before any work is performed.
- ⁴ *All* gaskets and sealing surfaces must be kept clean during installation.
- ⁵ *All* wiring and installation should meet local, state and national electrical codes.
- ⁶ *Install* correct lamp type and wattage.

TYPICAL POST TOP INSTALLATION

TYPICAL CAST WALL BRACKET INSTALLATION



1. Secure the arm assembly or wall bracket as required if they are not already installed.

2. (POST TOP INSTALLATION)
Remove the fixture from the box and install to the tenon on the pole, arm assembly or wall bracket (See step 3). Then tighten the set screws or bolts which are provided with the tenon fitter.

2-A. (CAST BRACKET INSTALLATION)
Remove the fixture from the box and remove the wall plate by loosening (2)-1/4-20 set screws from the bottom of the cast cover. Secure the wall plate to the wall with (4)-3/8 bolts or anchor bolts (hardware by others). (See step 3) Reinstall the unit by mounting it over the wall plate and retightening the set screws at the bottom of the cast bracket.

3. Make power and ground connections using UL approved connectors at the pole or splice connection or at the J-box (J-box by others).

4. (LAMP INSTALLATION)
Remove the cast cover by loosening (4)-10-24 cap screws and set aside. Install the correct lamp, reinstall the cast cover and retighten the captive screws.