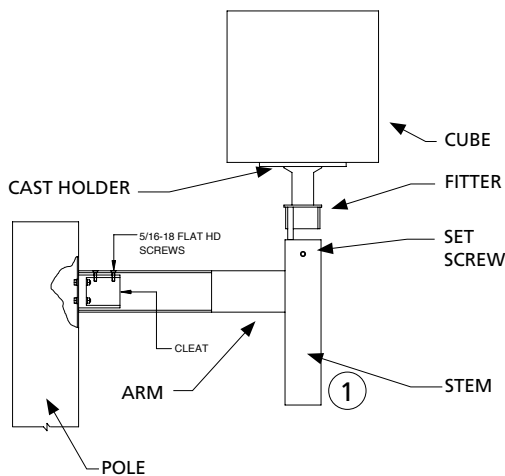


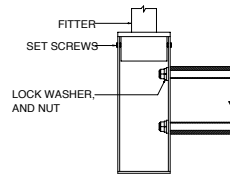
INSTALLATION SHEET

Safety, Warnings and Suggestions

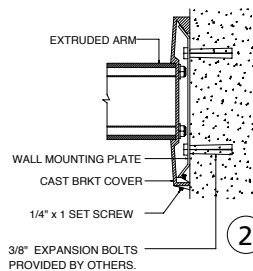
- ¹ *Care* should be taken not to position fixtures in locations where bare skin can come into contact with the potentially high temperatures on the lens.
- ² *Avoid* installing fixtures in locations where water collects and stands for prolonged periods.
- ³ *Make* sure that electrical power is disconnected before any work is performed.
- ⁴ *All* gaskets and sealing surfaces must be kept clean during installation.
- ⁵ *All* wiring and installation should meet local, state and national electrical codes.
- ⁶ *Install* correct lamp type and wattage.



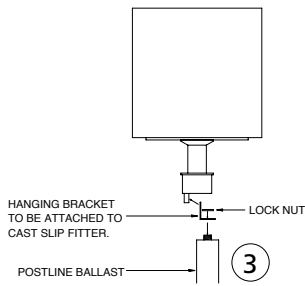
Typical arm with stem tenon to pole installation



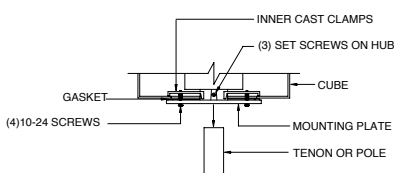
ARM MOUNTING DETAIL



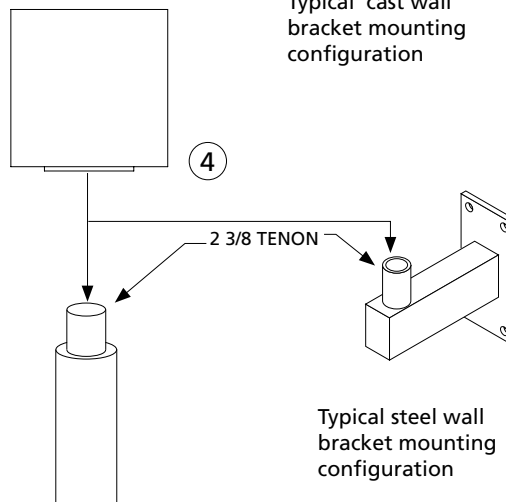
WALL MOUNTING DETAIL



POST BALLAST INSTALLATION



Typical fixture configuration To pole mounting option



Typical steel wall bracket mounting configuration

1. Secure the arm assembly or wall bracket as required if they are not already installed.
2. (SINGLE FIXTURE INSTALLATION) (A)-Remove the fixture from the box. (B)-Loosen 4-screws from underneath of the cast holder. (C)-Make wire splice (see step 5). Install the cast holder to the tenon on the pole or on the wall bracket with (3)-1/4-20 set screw. The set screws are under the ballast compartment. (see detail 3 & 4)
3. (CAST BRACKET INSTALLATION) Remove the fixture from the box and remove the wall plate by loosening (2)-1/4-20 set screws from the bottom of the cast cover. Secure the wall plate to the wall with (4)-3/8 bolts or anchor bolts, (hardware by others) (See step 5). Reinstall the unit by mounting it over the wall plate and retightening the bottom set screws (see detail 2).
4. (ARM INSTALLATION) (A)-Secure the arm assembly to the pole as shown in Detail 1 (B)-Make wire splice (see step 5). Install the fixture into the stem on the arm and secure with the 1/4-20 set screws or bolts.
5. Make power and ground connections using UL approved connectors at the pole, splice connection or J-box (J-box by others).
6. (LAMP INSTALLATION) NOTE: The cube is shipped separately to the job site from the manufacturer. Install the correct lamp and install the globe as shown. Retighten the (4)-10-24 captive screws from underneath the cast holder.