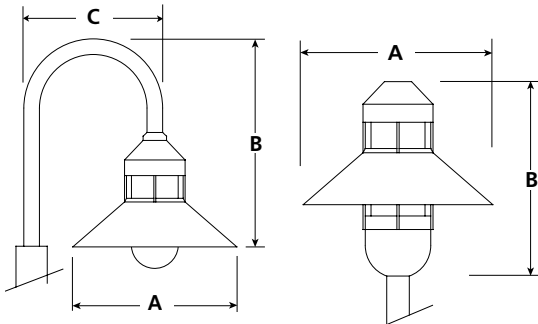


Alleys
Shopping Malls
Walkways
Parking Lots
Building Entrances



Luminaire Dimensions

Luminaire	A	B	C	EPA
AA-30	20-1/2"	25"	17-1/2" or 25-1/2"	1.0
AA-35	20-1/2"	22"	17-1/2" or 25-1/2"	0.9
AA-40	20-1/2"	20"		1.4



Specifications



Certifications The fixture shall be ETL and CETL listed for wet location. Also meets IP65 standard

Ballast Housing Vandal and corrosion resistant cast aluminum.

Shade Vandal and corrosion resistant cast aluminum.

Arm The arm of the AA-30 and AA-35 shall internally slipfit 3" or 4" O.D. pole. The AA-40 shall externally slipfit a 2-3/8" O.D. (min. 2-1/2" high) tenon. Consult factory for other pole sizes.

Lens The lens shall be opal acrylic.

Lampholder The standard lampholder shall be 4KV pulse rated medium base, for HID and Incandescent lamp source.

Hardware All external hardware shall be stainless steel.

Finish BK-BZ-WH-GR-GY-NA baked enamel standard, other colors available.

Product Order Guide

Series	Max Watts	Lamp Type	Voltage ¹	Finish ¹	Options
AA-30	70 HPS	E-17 ²	120	BK Black	WB Wall Bracket
AA-35	100 MH	E-17 ²	208	BZ Bronze	SM Stem Mount ³
AA-40			240	WH White	
			277	GR Green	
				NA Natural Aluminum	
				GY Gray	
				CC Custom Color	

¹ Consult factory for other colors and voltages
² Lamps 175 W and below are medium base.

³ AA30/35 only

AA-40-70HPS-E17-120-BK

PROJECT
FIXTURE TYPE
CATALOG#

PROJECT
FIXTURE TYPE
CATALOG#

2930 South Fairview Street
 Santa Ana, CA 92704
 Phone: 714 668 3660
 Fax: 714 668 1107
 allighting@earthlink.net
 http://www.allighting.com

AA-31/36/41



AA-31



AA-36



AA-41

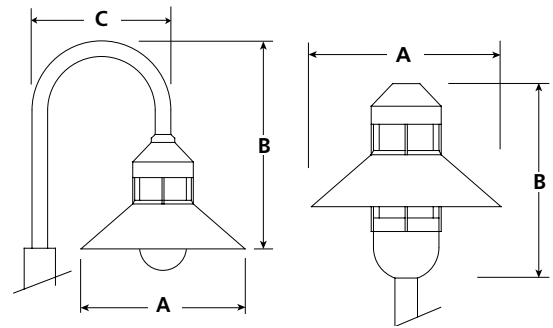
Alleys

Shopping Malls

Walkways

Parking Lots

Building Entrances



Luminaire Dimensions

Luminaire	A	B	C	EPA
AA-31	24"	30"	19-1/2" or 25-1/2"	1.5
AA-36	24"	25"	19-1/2" or 25-1/2"	1.3
AA-41	24"	25"		1.9

Specifications



Certifications The fixture shall be ETL and CETL listed for wet location. Also meets IP65 standard.

Ballast Housing Vandal and corrosion resistant cast aluminum.

Shade Vandal and corrosion resistant cast aluminum.

Arm The arm of the AA-31 and AA-36 shall internally slipfit 3" or 4" O.D. pole. The AA-41 shall externally slipfit a 3" O.D. (min. 3" high) tenon. Consult factory for other pole sizes.

Lens The lens shall be opal acrylic.

Lampholder The standard lampholder shall be 4KV pulse rated medium base, for HID and Incandescent lamp source.

Hardware All external hardware shall be stainless steel.

Finish BK-BZ-WH-GR-GY-NA baked enamel standard, other colors available.

Product Order Guide

Series	Max Watts	Lamp Type	Voltage ¹	Finish ¹	Options
AA-31	150 HPS	E-17 ²	120	BK Black	WB Wall Bracket
AA-36	175 MH	E-17 ²	208	BZ Bronze	SM Stem Mount ³
AA-41			240	WH White	
			277	GR Green	
				NA Natural Aluminum	
				GY Gray	
				CC Custom Color	

¹ Consult factory for other colors and voltages

² Lamps 175 W and below are medium base.

³ AA31/36 only

EX: AA-41-150HPS-E17-120-BK