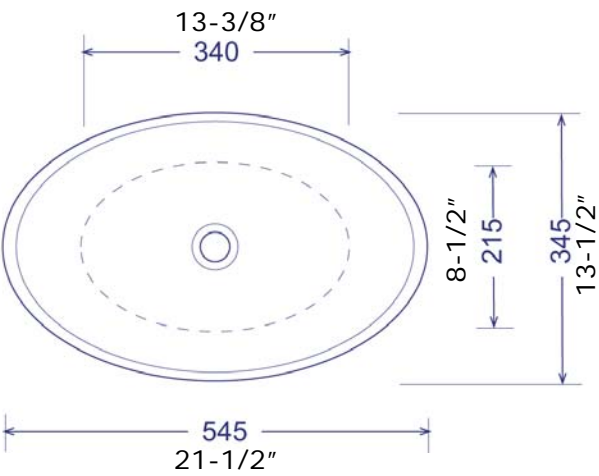
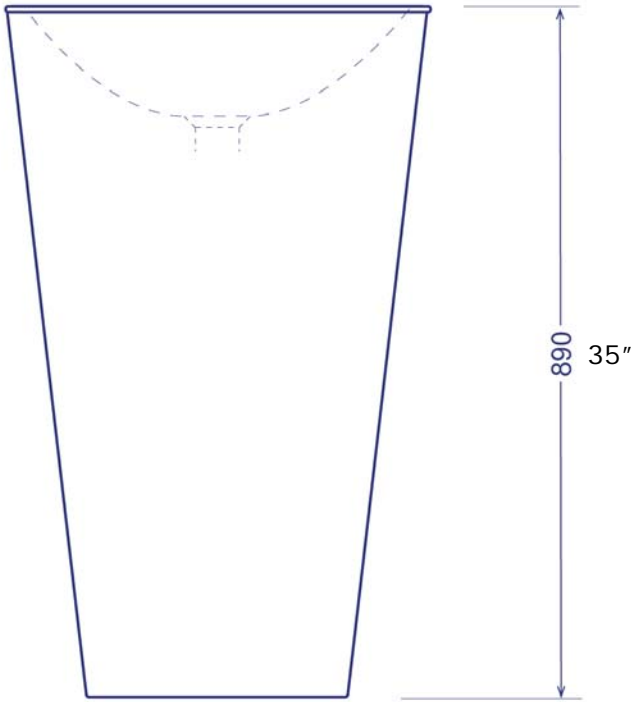




DIP CONSOLE

PLASTICRYL MATERIAL



Project Information		
Job Name: _____	Date: _____	Type of wood/Finish: _____
Comments: _____		
Approved: _____		