



Humanscale Pricing and Specification Guide





Seating

freedom® Features & Characteristics

With Freedom, the knobs, levers and locks of current-generation task chairs have been replaced by intelligent mechanisms that automatically support the body as it moves from task to task. By minimizing the need for manual controls, Freedom maximizes natural, spontaneous movement, which is essential for a healthy body and a comfortable day's work. Freedom's many features can be enjoyed with virtually no effort.



PHYSICAL CHARACTERISTICS

CUSHIONS

- Molded polyurethane foam cushions
- Optional arm pads and seat have top layer of Technogel®
- Upholstered with a variety of materials customized to the unique form of the cushion

CUSHION PANS, ARMREST SUPPORTS, HEADREST FRAME, AND FIVE-ARM BASE

- Injection-molded, structural, integral color plastics

EXTERNAL FRAME AND OPTIONAL BASE UPGRADE

- Die-cast aluminum with fused plastic coating or polished aluminum finish

STORED ENERGY DEVICES

- Nitrogen-charged gas cylinder for adjustable seat height
- Coil spring in the self-adjusting recline mechanism
- Elastomer spring in the pivoting backrest

OPTIONAL FOOT RING

- Chrome-plated steel ring

STANDARD FEATURES

SELF-ADJUSTING RECLINE

- Intelligent counter-balance recline mechanism automatically provides the right amount of support through the full range of recline motion, regardless of user size and weight
- No tension springs to adjust
- No recline locks to set / release
- During recline, the angle between torso and legs opens up for better body function
- User maintains near-constant eye level during recline

PIVOTING BACKREST

- Extra motion of the backrest during recline automatically adjusts to the changing needs of the spine
- Provides up to 1" additional lumbar support when needed

SYNCHRONOUS ARMRESTS

- Revolutionary armrests move in tandem to eliminate uneven arm positioning
- Natural lift and release action for immediate repositioning without buttons or locks
- 6" range of vertical motion to accommodate all users and tasks
- Can be positioned below thigh level for close to table or desk work
- Attached to backrest so arms stay in same relation to body during recline
- Duron arm pad for durability and comfort

STANDARD CYLINDER

- Provides seat height range that accommodates 95% of the population

MODIFIED BACK SHELL

- Maintains desired height of the chair
- Adds stability and encourages fluid movement

CONTOURED CUSHIONS

- Carefully sculpted to match body contours
- Increased contact area reduces pressure points
- Modular for easy replacement

BODY FIT

- Size adjustable to fit more than 95% of the population
- Adjustments for fit-to-size:
 - Headrest: 5" vertical adjustment range
 - Seat Height: 5" adjustment range
 - Seat Depth: 2.25" adjustment range
 - Backrest/Lumbar Support Height: 3" adjustment range

HARD CASTERS

- 2.5" double-wheel casters for carpeted floors

OPTIONAL FEATURES

DYNAMIC HEADREST

- Position-sensitive headrest moves into place when you recline and out of the way when you sit upright
- 5" vertical adjustment to fit all users
- Moves in the natural arc of head/neck for perfect support through range of recline
- Contoured to cradle the head and neck in comfort

GEL SEAT CUSHION

- Non-degradable, non-compressible Technogel® layer on top of foam core
- Provides maximum pressure distribution
- Offers unmatched, long-term comfort

ARM PAD OPTION

- Standard Flexible Duron
- Duron with Gel for optimal comfort

ADVANCED ARMRESTS

- Automatically lock in place
- Aesthetically align with Niels Diffrient's original design intent
- Improved functionality and durability

CYLINDER OPTIONS

- Low cylinder for small users
- Tall cylinder for very tall users
- High cylinder with foot ring
- Extra-high cylinder with foot ring (Saddle seat only)

FOOT RING

- Polished finish
- Height-adjustable

CASTER OPTIONS

- 2.5" soft double-wheel casters for hard floors
- Non-rolling glides for fixed-location use
- 2.5" locking casters

FIREPROOFING

- CAL 133-approved
 - Fireproof barrier between textile and foam
 - Fire-retardant plastics

LEATHER STITCHING

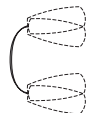
- For leather textiles only
- Box-stitched design for added comfort and enhanced aesthetic

freedom® Options & Prices

TASK CHAIR



Armless	F110
Standard Duron Arms	F111
Standard Duron Arms with Matching Textile Cover	F112
Standard Duron Gel Arms	F11X
Standard Gel Arms with Matching Textile Cover	F11M
Advanced Duron Arms	F113
Advanced Duron Arms with Matching Textile Cover	F114
Advanced Duron Gel Arms*	F11D
Advanced Gel Arms with Matching Textile Cover*	F11C



TASK CHAIR WITH HEADREST



Armless	F210
Standard Duron Arms	F211
Standard Duron Arms with Matching Textile Cover	F212
Standard Duron Gel Arms	F21X
Standard Gel Arms with Matching Textile Cover	F21M
Advanced Duron Arms	F213
Advanced Duron Arms with Matching Textile Cover	F214
Advanced Duron Gel Arms*	F21D
Advanced Gel Arms with Matching Textile Cover*	F21C



SADDLE SEAT AND PONY SADDLE



Saddle Seat	F300
Pony Saddle	F400

* Advanced Duron Arms available Q2 2013.

TEXTILE 0	TEXTILE 1	TEXTILE 2	TEXTILE 3	LEATHER 0	LEATHER 1	LEATHER 2	LEATHER 3
\$1,005	\$1,025	\$1,080	\$1,180	\$1,365	\$1,855	\$2,270	\$2,425
\$1,115	\$1,135	\$1,190	\$1,290	\$1,475	\$1,965	\$2,380	\$2,535
\$1,140	\$1,160	\$1,215	\$1,315	\$1,500	\$1,990	\$2,405	\$2,560
\$1,145	\$1,165	\$1,220	\$1,320	\$1,505	\$1,995	\$2,410	\$2,565
\$1,170	\$1,190	\$1,245	\$1,345	\$1,530	\$2,020	\$2,435	\$2,590
\$1,200	\$1,220	\$1,275	\$1,375	\$1,560	\$2,050	\$2,465	\$2,620
\$1,225	\$1,245	\$1,300	\$1,400	\$1,585	\$2,075	\$2,490	\$2,645
\$1,230	\$1,250	\$1,305	\$1,405	\$1,590	\$2,080	\$2,495	\$2,650
\$1,255	\$1,275	\$1,330	\$1,430	\$1,615	\$2,105	\$2,520	\$2,675

\$1,205	\$1,225	\$1,290	\$1,395	\$1,615	\$2,120	\$2,540	\$2,720
\$1,315	\$1,335	\$1,400	\$1,505	\$1,725	\$2,230	\$2,650	\$2,830
\$1,340	\$1,360	\$1,425	\$1,530	\$1,750	\$2,255	\$2,675	\$2,855
\$1,345	\$1,365	\$1,430	\$1,535	\$1,755	\$2,260	\$2,680	\$2,860
\$1,370	\$1,390	\$1,455	\$1,560	\$1,780	\$2,285	\$2,705	\$2,885
\$1,400	\$1,420	\$1,485	\$1,590	\$1,810	\$2,315	\$2,735	\$2,915
\$1,425	\$1,445	\$1,510	\$1,615	\$1,835	\$2,340	\$2,760	\$2,940
\$1,430	\$1,450	\$1,515	\$1,620	\$1,840	\$2,345	\$2,765	\$2,945
\$1,455	\$1,475	\$1,540	\$1,645	\$1,865	\$2,370	\$2,790	\$2,970

\$320	\$330	\$360	\$415	\$510	\$765	\$965	\$1,040
\$290	\$300	\$330	\$385	\$480	\$735	\$935	\$1,010

freedom® Options & Prices

REPLACEMENT PARTS*

Replacement Cushions



- Seat (Foam)
- Seat (Gel)
- Back
- Saddle Seat
- Pony Saddle
- Headrest
- Standard Duron Arm Pads (Pair)
- Advanced Duron Arm Pads (Pair)
- Standard Duron Gel Arm Pads (Pair)
- Advanced Duron Gel Arm Pads (Pair)**
- Standard Duron Arm Pads with Matching Textile (Pair)
- Advanced Duron Arm Pads with Matching Textile (Pair)
- Standard Gel Arm Pads with Matching Textile (Pair)
- Advanced Gel Arm Pads with Matching Textile (Pair)**

S	1222	FC	—
S	1222	GC	—
B	1222	FC	—
L	1222	C	—
LP	1222	C	—
H	1222	FC	—
FA			\$50
FV			\$50
FX			\$80
FD			\$80
FAM	1222	C	—
FVM	1222	C	—
FXM	1222	C	—
FDM	1222	C	—

RETROFIT PARTS*

Retrofit Armrest Kits



- Advanced Duron Arms
- Advanced Duron Gel Arms**
- Advanced Duron Arms with Matching Textile
- Advanced Gel Arms with Matching Textile**

KDA	3		\$185
KA	3		\$215
KDAM	31222	C	—
KAM	31222	C	—

1-Textile Code 2 - Cushion Color 3 - Frame/Cushion Shell Color (G=Graphite, T=Titanium) 4 - Mesh (M,C,T)

* All Freedom Replacement and Retrofit Parts are CAL 133-approved.

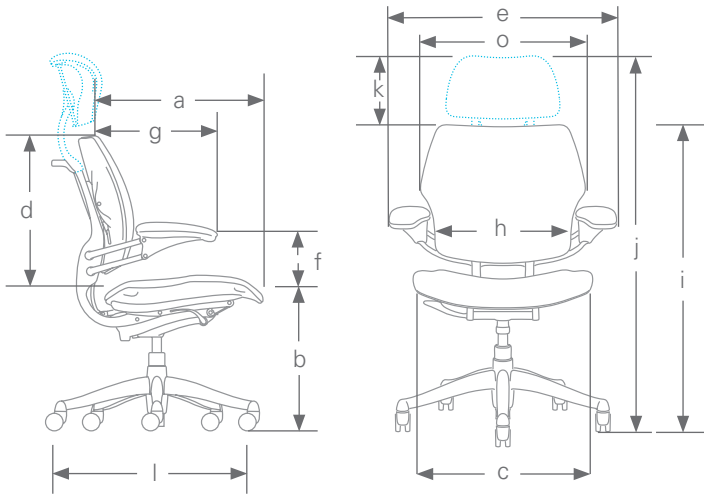
** Advanced Duron Gel Arms available Q2 2013.

TEXTILE 0	TEXTILE 1	TEXTILE 2	TEXTILE 3	LEATHER 0	LEATHER 1	LEATHER 2	LEATHER 3
\$125	\$135	\$160	\$210	\$320	\$555	\$760	\$835
\$200	\$210	\$235	—	—	—	—	—
\$120	\$130	\$155	\$205	\$315	\$550	\$755	\$830
\$135	\$145	\$195	\$240	\$345	\$585	\$795	\$870
\$120	\$130	\$180	\$225	\$330	\$570	\$780	\$855
\$105	\$115	\$125	\$145	\$170	\$240	\$305	\$380
—	—	—	—	—	—	—	—
—	—	—	—	—	—	—	—
—	—	—	—	—	—	—	—
—	—	—	—	—	—	—	—
\$60	\$70	\$90	\$90	\$100	\$120	\$150	\$190
\$60	\$70	\$90	\$90	\$100	\$120	\$150	\$190
\$90	\$100	\$120	\$120	\$130	\$150	\$180	\$220
\$90	\$100	\$120	\$120	\$130	\$150	\$180	\$220

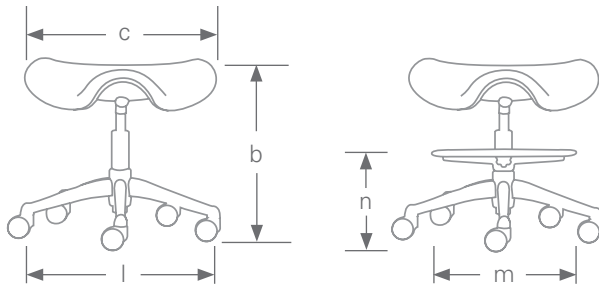
—	—	—	—	—	—	—	—
—	—	—	—	—	—	—	—
\$195	\$205	\$215	\$215	\$225	\$250	\$285	\$330
\$225	\$235	\$245	\$245	\$255	\$280	\$315	\$360

freedom[®] Specifications

TASK CHAIR



SADDLE SEAT



SCOPE OF USERS

- Standard chair fits more than 95% of the office population
 - 5'0" Woman to 6'4" Man
 - 100 to 300 lbs.
- Users outside the standard range can be accommodated by
 - Low or Tall Cylinder
 - Advanced Armrests

WEIGHT

- 35 lbs. Standard Chair
- 39 lbs. Chair with Headrest
- 13.9 lbs. Saddle
- 19 lbs. Saddle with Foot Ring
- 12.5 lbs. Pony Saddle
- 16.5 lbs. Pony Saddle with Foot Ring

BACKREST RECLINE

- 22° recline plus 7° backrest tilt

REFERENCE ANGLE BETWEEN SEAT AND BACK

- 100° to 129°

HEADREST RADIAL MOTION

(automatic motion during recline)

- 30°

LUMBAR SUPPORT INCREASE IN RECLINE

- 1"

CODE	DESCRIPTION	MEASUREMENT
a	seat depth <i>(from face of lumbar to front of seat)</i>	16.25" – 18.5"
b	seat height <i>(floor to compressed front center of seat cushion)</i>	16" – 21" standard chair 15.25" – 19" low-cylinder chair 17" – 22.25" tall-cylinder chair 20.5" – 28.5" high-cylinder chair 17.5" – 22.75" standard Saddle / Pony 20.25" – 28.25" high Saddle / Pony 23" – 33" extra-high Saddle / Pony
c	seat width	21" chair 22" Saddle seat 16" Pony Saddle seat
d	backrest height <i>(from seat cushion to top of backrest)</i> – adjustment range	18" – 21" 3" in 0.25" increments
e	chair width	27.25"
f	armrest height <i>(compressed seat cushion to top of armrest)</i> – adjustment range	5" – 11" 6" in 0.33" increments
g	armrest length <i>(from face of lumbar to front of armrest)</i>	13"
h	distance between armrests <i>(front inside edge)</i>	20" standard 18.25" – 21.25" Advanced
i	height, task chair	33.5" – 41.5" standard chair 32.75" – 39.5" low-cylinder chair 34.5" – 42.75" tall-cylinder chair 38" – 49" high-cylinder chair
j	height, task chair with headrest	43" – 53" standard chair 42.25" – 51" low-cylinder chair 44" – 54.25" tall-cylinder chair 47.5" – 60.5" high-cylinder chair
k	headrest height adjustment range	5"
l	base diameter	25" chair, high or extra-high Saddle / Pony 22" standard Saddle / Pony
m	foot ring diameter	18" or 21"
n	foot ring height adjustment <i>(from floor)</i>	6" – 11"
o	backrest width	21"

freedom® Build Your Product Code



COMPONENT	CODE	DESCRIPTION
1 LINE	F	Freedom
2 STYLE	1	Standard Task Chair
	2	Task Chair with Headrest
	3	Saddle Seat
	4	Pony Saddle Seat
3 MECHANISM	1	Standard
	0	Saddle/Pony†
4 ARMRESTS	0	Armless (Required option for Saddle/Pony)
	1	Standard Duron Arms
	2	Standard Duron Arms with Matching Textile
	3	Advanced Duron Arms*
	4	Advanced Duron Arms with Matching Textile*
	X	Standard Duron Gel Arms
	M	Standard Gel Arms with Matching Textile
	D	Advanced Duron Gel Arms
	C	Advanced Gel Arms with Matching Textile
5 FRAME COLOR	G	Graphite
	T	Titanium
	A	Polished Aluminum with Graphite shells on cushions and armrests** (see pricing below)
	M	Polished Aluminum with Titanium shells on cushions and armrests** (see pricing below)
	<i>For A or M, add \$250 for Task Chair with Headrest, \$230 for Standard Task Chair, \$133 for Saddle/Pony</i>	
6 TEXTILE	<i>See pages 35-38 and textile samples for textile codes.</i>	
7 TEXTILE COLOR	<i>See pages 35-38 and textile samples for color options and codes.</i>	

*Advanced Duron Arms available Q4 2012

**Comes standard with polished aluminum base.

† Saddle and Pony Saddle will always ship with aluminum base.

COMPONENT	CODE	DESCRIPTION	
8 GEL SEAT	—	Standard Foam Seat Pan	
	G ¹	Gel Seat (Add \$76) <i>(Available only with V, B, H, S, G, K, F or W textiles)</i>	
9 CYLINDER	—	Standard 5"	<i>Note: Polished Aluminum chairs ship with Polished cylinders. Graphite and Titanium chairs ship with Black cylinders. Extra-high (X, Z) available in Black only.</i>
	L	Low 3.75" (Add \$26)	
	T	Tall 5" (Add \$37)	
	H ²	High 8" (Add \$37)	
	F	High 8" w/18" Foot Ring (Add \$110)	
	R	High 8" w/21" Foot Ring (Add \$152)	
	X ^{2,3}	Extra-High 10" w/18" Foot Ring (Add \$110)	
Z ^{2,3}	Extra-High 10" w/21" Foot Ring (Add \$152)		
10 CASTERS	—	Standard Hard Casters	
	G	Glides (Add \$21)	
	S	Soft Casters (Add \$22)	
	K	Locking Casters (Add \$112)	
11 FIRE-PROOFING	—	Standard Foams and Plastics	
	C	CAL 133-Approved Foams and Plastics (Add \$75 for Task Chair with Headrest, \$59 for Standard Task Chair, \$33 for Saddle/Pony)	
12 BASE UPGRADE	— [†]	Standard Composite Base to match Graphite or Titanium frame color	
	— [†]	Standard Aluminum Base to match frame color ⁴	
	M	Powder-coated Aluminum Base to match Graphite or Titanium frame color (Add \$46)	
	A	Polished Aluminum Base on Graphite or Titanium Frame (Add \$133)	
13 SHIPPING	—	Individually Boxed	
	B	Blanket Wrapped ⁵	

¹ Not available on Saddle Seat

² Only available on Saddle Seat

³ Requires Glides or Locking Casters

⁴ Standard Aluminum Base should be selected with A and M frame colors

⁵ See Terms and Conditions, page 101, for minimum order requirements

[†] Must be selected for Saddle and Pony Saddle.

Liberty® Features & Characteristics

Liberty, with Form-Sensing Mesh Technology, is unlike any mesh chair you've seen or experienced. With its tri-panel construction, Liberty has the body-fitting contours that single-panel stretch mesh chairs simply can't achieve. And it offers perfect lumbar support for everyone, without external devices or manual adjustments. Liberty's mesh back is formed by combining three panels of non-stretch mesh in the same way a tailor combines multiple pieces of material to form a shirt. So its contours are custom-made to both fit and support the human body in unprecedented comfort.



PHYSICAL CHARACTERISTICS

CUSHIONS

- Non-stretch, tri-panel mesh back
- Molded polyurethane foam seat cushion
- Duron arm pads
- Optional arm pads and seats have top layer of Technogel®
- Seats upholstered with a variety of materials customized to the unique form of the cushion

CUSHION PAN, BACK FRAME, FIVE-ARM BASE

- Injection-molded, structural, integral color plastics
- Optional stainless steel caps on base

EXTERNAL FRAME

- Die-cast aluminum with fused plastic coating or polished aluminum finish

STORED ENERGY DEVICES

- Nitrogen-charged gas cylinder for adjustable seat height
- Coil spring in the self-adjusting recline mechanism
- Torsion spring in the pivoting backrest

OPTIONAL FOOT RING

- Chrome-plated steel

STANDARD FEATURES

SELF-ADJUSTING RECLINE

- Intelligent counter-balance recline mechanism automatically provides the right amount of support through the full range of recline motion, regardless of user size and weight
- No tension springs to adjust
- No recline locks to set/release
- During recline, the angle between torso and legs opens up for better body function
- User maintains near-constant eye level during recline

PIVOTING BACKREST

- Extra motion of the backrest during recline automatically adjusts to the changing needs of the spine
- Provides additional lumbar support as needed

FORM-SENSING MESH

- Tri-panel, non-stretch mesh construction creates body-fitting contours and self-adjusting lumbar support for a customized fit
- No external lumbar devices to adjust, break or lose
- Low-abrasion mesh protects clothing
- Modular for easy replacement

STANDARD CYLINDER

- Provides seat height range that accommodates 95% of the population

CONTOURED SEAT CUSHION

- Carefully sculpted to match body contours
- Increased contact area reduces pressure points
- Modular for easy replacement

BODY FIT

- Size adjustable to fit more than 95% of the population
- Form-sensing mesh provides perfect lumbar support—automatically
- Manual adjustments for fit-to-size:
 - Seat Height: 5" adjustment range
 - Seat Depth: 2.25" adjustment range

CASTERS

- 3" casters for carpeted floors

OPTIONAL FEATURES

ARMREST OPTIONS

- Armless
- Fixed armrests
- Height-adjustable armrests with 5" range of adjustment

GEL SEAT CUSHION

- Non-degradable, non-compressible Technogel® layer on top of foam core
- Provides maximum pressure distribution
- Offers unmatched long-term comfort

ARM PAD OPTIONS

- Standard Flexible Duron
- Duron with Gel for optimal comfort

CYLINDER OPTIONS

- Low cylinder for small users
- Tall cylinder for very tall users
- High cylinder with foot ring

FIREPROOFING

- CAL 133-approved
 - Fireproof barrier between textile and foam
 - Fire-retardant plastics

CASTER OPTIONS

- 3" soft casters for hard floors
- Non-rolling glides for fixed location use

POLISHED BASE CAPS

- Stainless steel caps on five-star base for wear protection and aesthetic appeal

FOOT RING

- Polished finish
- Height-adjustable
- 18" or 21" diameter

Liberty® Options & Prices

CONFERENCE CHAIR



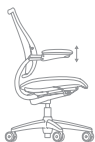
Armless



Fixed Arms

Armless	L110
Fixed Duron Arms	L116
Fixed Duron Arms with Matching Textile Cover	L117
Fixed Duron Gel Arms	L11X
Fixed Gel Arms with Matching Textile Cover	L11M

TASK CHAIR



Adjustable Arms

Height-Adjustable Duron Arms	L111
Height-Adjustable Duron Arms with Matching Textile Cover	L112
Height-Adjustable Duron Gel Arms	L11D
Height-Adjustable Gel Arms with Matching Textile Cover	L11C

SIDE CHAIR



Armless	L400
Fixed Duron Arms	L406
Fixed Duron Arms with Matching Textile Cover*	L407
Fixed Duron Gel Arms	L40X
Fixed Gel Arms with Matching Textile Cover*	L40M

* Available with textile-covered seat only.

TEXTILE 0	TEXTILE 1	TEXTILE 2	TEXTILE 3	LEATHER 0	LEATHER 1	LEATHER 2	LEATHER 3
\$945	\$965	\$995	\$1,045	\$1,145	\$1,395	\$1,605	\$1,605
\$1,055	\$1,075	\$1,105	\$1,155	\$1,255	\$1,505	\$1,715	\$1,715
\$1,080	\$1,100	\$1,130	\$1,180	\$1,280	\$1,530	\$1,740	\$1,740
\$1,085	\$1,105	\$1,135	\$1,185	\$1,285	\$1,535	\$1,745	\$1,745
\$1,110	\$1,130	\$1,160	\$1,210	\$1,310	\$1,560	\$1,770	\$1,770

\$1,135	\$1,155	\$1,185	\$1,235	\$1,335	\$1,585	\$1,795	\$1,795
\$1,160	\$1,180	\$1,210	\$1,260	\$1,360	\$1,610	\$1,820	\$1,820
\$1,165	\$1,185	\$1,215	\$1,265	\$1,365	\$1,615	\$1,825	\$1,825
\$1,190	\$1,210	\$1,240	\$1,290	\$1,390	\$1,640	\$1,850	\$1,850

MESH	TEXTILE 0	TEXTILE 1	TEXTILE 2	TEXTILE 3			
\$510	\$550	\$570	\$595	\$615	—	—	—
\$600	\$640	\$660	\$685	\$705	—	—	—
—	\$665	\$685	\$710	\$730	—	—	—
\$630	\$670	\$690	\$715	\$735	—	—	—
—	\$695	\$715	\$740	\$760	—	—	—

Liberty® Options & Prices

REPLACEMENT PARTS†

LIBERTY CONFERENCE/TASK Replacement Cushions	Seat (Foam)	LSF	1222	C	—	
	Seat (Gel)	LSG	1222	C	—	
	Mesh Backrest	LB	3422		\$180	
	Fixed Duron Arm Pads (Pair)	LDA	5		\$50	
	Fixed Duron Gel Arm Pads (Pair)	LGA			\$80	
	Height-Adjustable Duron Arm Pads (Pair)	LDV	5		\$50	
	Height-Adjustable Duron Gel Arm Pads (Pair)	LGV			\$80	
	Fixed Duron Arm Pads with Matching Textile (Pair)	LDAM	1222	C	—	
	Fixed Gel Arm Pads with Matching Textile (Pair)	LGAM	1222	C	—	
	Height-Adjustable Duron Arm Pads with Matching (Pair)	LDVM	1222	C	—	
	Height-Adjustable Gel Arm Pads with Matching Textile (Pair)	LGVM	1222	C	—	
	LIBERTY SIDE CHAIR Replacement Cushions	Mesh Backrest	LSCB	3422		\$180
		Mesh Seat Cushion	LSCS	3422		\$180
Textile-covered Seat Cushion**		LSCSM	31222		—	
Duron Arm Pads (Pair)		LSDA	5		\$50	
Duron Gel Arm Pads (Pair)		LSGA			\$80	
Duron Arm Pads with Matching Textile Cover (Pair)*		LSDAM	1222		—	
Gel Arm Pads with Matching Textile Cover (Pair)*		LSGAM	1222		—	

1 – Textile Code (pages 35-38) **2** – Cushion Color (pages 35-38) **3** – Frame Color (B, V, L, A, P) **4** – Mesh (M, C, T, A, N) **5** – Arm Pad Color (S, B)

* Available with textile-covered seat only.

** U, E, Z, R, Y not available on textile-covered seat.

† All Liberty Replacement and Retrofit Parts are CAL 133-approved.

TEXTILE 0	TEXTILE 1	TEXTILE 2	TEXTILE 3	LEATHER 0	LEATHER 1	LEATHER 2	LEATHER 3
-----------	-----------	-----------	-----------	-----------	-----------	-----------	-----------

\$125	\$135	\$160	\$210	\$320	\$555	\$760	\$835
\$200	\$210	\$235	—	—	—	—	—
—	—	—	—	—	—	—	—
—	—	—	—	—	—	—	—
—	—	—	—	—	—	—	—
—	—	—	—	—	—	—	—
—	—	—	—	—	—	—	—
\$60	\$70	\$90	\$90	\$100	\$120	\$150	\$190
\$90	\$100	\$120	\$120	\$130	\$150	\$180	\$220
\$60	\$70	\$90	\$90	\$100	\$120	\$150	\$190
\$90	\$100	\$120	\$120	\$130	\$150	\$180	\$220

—	—	—	—	—	—	—	—
—	—	—	—	—	—	—	—
\$195	\$205	\$225	\$225	—	—	—	—
—	—	—	—	—	—	—	—
—	—	—	—	—	—	—	—
\$60	\$70	\$90	\$90	\$100	\$120	\$150	\$190
\$90	\$100	\$120	\$120	\$130	\$150	\$180	\$220

Liberty® Options & Prices

RETROFIT PARTS†

LIBERTY CONFERENCE/TASK Retrofit Armrest Kits	Fixed Duron Arms (Pair)	LKFD	35	\$120
	Fixed Duron Gel Arms (Pair)	LKFG	3	\$150
	Height-Adjustable Duron Arms (Pair)	LKD	35	\$165
	Height-Adjustable Duron Gel Arms (Pair)	LKA	3	\$200
	Fixed Duron Arms with Matching Textile (Pair)	LKFDM	31222 C	—
	Fixed Gel Arms with Matching Textile (Pair)	LKFGM	31222 C	—
	Height-Adjustable Duron Arms with Matching Textile (Pair)	LKDM	31222 C	—
	Height-Adjustable Gel Arms with Matching Textile (Pair)	LKAM	31222 C	—
LIBERTY SIDE CHAIR Retrofit Armrest Kits	Fixed Duron Arms (Pair)	LSKFD	35	\$110
	Fixed Duron Gel Arms (Pair)	LSKFX	3	\$140
	Fixed Duron Arms with Matching Textile Cover (Pair)*	LSKFDM	31222	—
	Fixed Gel Arms with Matching Textile Cover (Pair)*	LSKFGM	31222	—

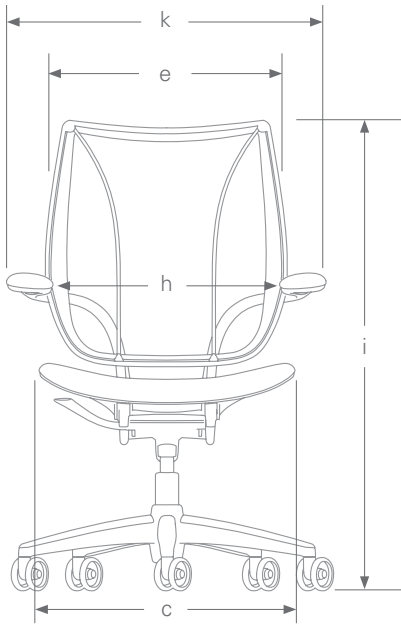
1 – Textile Code 2 – Cushion Color 3 – Frame Color (B, V, L, A, P) 4 – Mesh (M, C, T, A, N) 5 – Arm Pad Color (S, B)

* Available with textile-covered seat only.

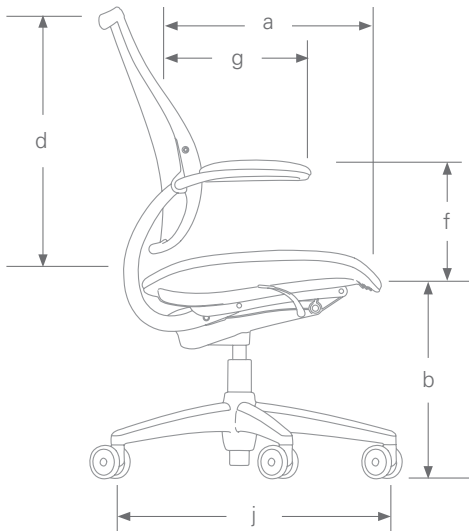
† All Liberty Replacement and Retrofit Parts are CAL 133-approved.

TEXTILE 0	TEXTILE 1	TEXTILE 2	TEXTILE 3	LEATHER 0	LEATHER 1	LEATHER 2	LEATHER 3
—	—	—	—	—	—	—	—
—	—	—	—	—	—	—	—
—	—	—	—	—	—	—	—
—	—	—	—	—	—	—	—
\$130	\$140	\$160	\$160	\$170	\$190	\$220	\$260
\$160	\$170	\$190	\$190	\$200	\$220	\$250	\$290
\$180	\$190	\$210	\$210	\$220	\$240	\$270	\$310
\$210	\$220	\$240	\$240	\$250	\$270	\$300	\$340
—	—	—	—	—	—	—	—
—	—	—	—	—	—	—	—
\$120	\$130	\$150	\$150	\$160	\$180	\$210	\$250
\$150	\$160	\$180	\$180	\$190	\$210	\$240	\$280

Liberty® Specifications



CODE	DESCRIPTION	MEASUREMENT
a	seat depth <i>(from face of lumbar to front of seat)</i>	16.5" – 18.75"
b	seat height <i>(from floor to compressed front center of seat cushion)</i>	16" – 21" standard chair 15.25" – 19" low chair 17" – 22.25" tall chair 20.5" – 28.5" high chair with foot ring
c	seat width	21"
d	backrest height <i>(from seat cushion to top of backrest)</i>	22.5"
e	backrest width	20"
f	armrest height <i>(from compressed seat cushion to top of armrest)</i>	10" fixed 6.5" – 11.5" adjustable
g	armrest length <i>(from face of lumbar to front of armrest)</i>	12.25"
h	distance between armrests	19"
i	height	38.5" – 43.5" standard chair 37.75" – 41.5" low-cylinder chair 39.5" – 44.75" tall-cylinder chair 43" – 51" high chair with foot ring
j	base diameter	25"
k	chair width	26.5"



SCOPE OF USERS

- Conference/Task chair fits more than 95% of the office population
– 5'0" Woman to 6'4" Man
– 100 to 300 lbs.
- Users outside the standard range can be accommodated by Low or Tall Cylinder

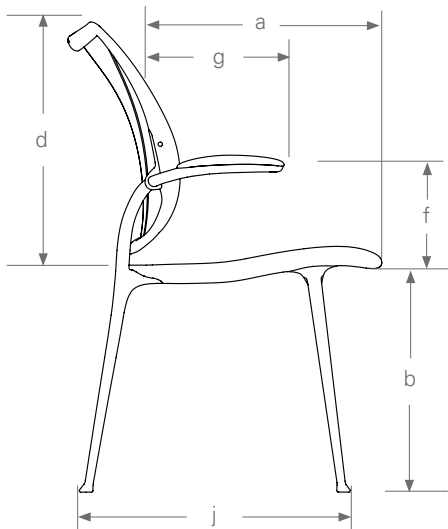
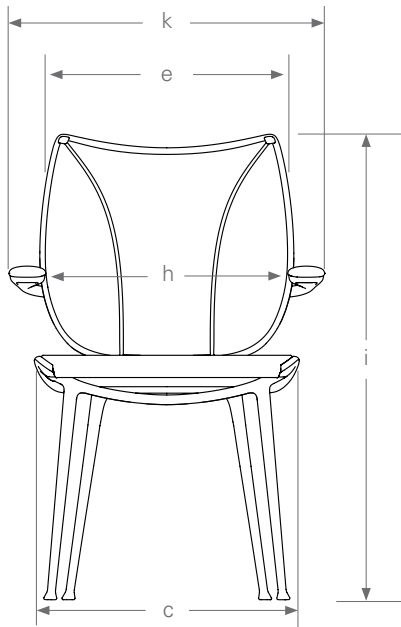
WEIGHT

- 27 lbs. *Conference/Task chair*
- ### TILT AND RECLINE
- 17° recline plus 7° backrest tilt
Conference/Task chair

REFERENCE ANGLE BETWEEN SEAT AND BACK

- 100° to 124° *Conference/Task chair*

Liberty® Specifications



CODE	DESCRIPTION	MEASUREMENT
------	-------------	-------------

a	seat depth <i>(from face of lumbar to front of seat)</i>	17.5"
b	seat height <i>(from floor to compressed front center of seat cushion)</i>	18"
c	seat width	20.75"
d	backrest height <i>(from seat cushion to top of backrest)</i>	18.5"
e	backrest width	19.75"
f	armrest height <i>(from compressed seat cushion to top of armrest)</i>	9.5"
g	armrest length <i>(from face of lumbar to front of armrest)</i>	12"
h	distance between armrests	19.25"
i	height	35.5"
j	base diameter	N/A
k	chair width	24.75"

SCOPE OF USERS

- Side chair fits more than 95% of the office population
 - 5'0" Woman to 6'4" Man
 - 100 to 300 lbs.

WEIGHT

- 15 lbs. *Side chair*

Liberty® Build Your Product Code



COMPONENT	CODE	DESCRIPTION	
1 LINE	L	Liberty	
2 STYLE	1 4	Conference/Task chair Side chair	
3 MECHANISM	0 1	Side chair Conference/Task chair	
4 ARMRESTS	0 1 2 6 7 X M D C	Armless Adjustable Duron Arms* Adjustable Duron Arms with Matching Textile* Fixed Duron Arms Fixed Duron Arms with Matching Textile† Fixed Duron Gel Arms Fixed Gel Arms with Matching Textile† Adjustable Duron Gel Arms* Adjustable Gel Arms with Matching Textile*	
5 FRAME COLOR	B V L A P	Black with Black Trim Silver with Silver Trim Silver with Black Trim Polished Aluminum with Black Trim and Polished Base Caps (see pricing below) Polished Aluminum with Silver Trim and Polished Base Caps (see pricing below)	Note: Frame Color refers to all metal parts (back support, arm supports), Trim Color refers to all plastic parts (base, backrest frame, seat shell, etc.)
For A or P, add \$131 for Conference/Task chair, \$87 for Side chair			
6 BACKREST MESH STYLE	M C T A N	Monofilament Stripe Silver Check Torque† Dash Pinstripe	See page 37 and textile samples for mesh descriptions and specifications.

COMPONENT	CODE	DESCRIPTION	
7	BACKREST MESH COLOR	<i>See page 38 and textile samples for mesh color options and codes.</i>	
8	SEAT MESH/ TEXTILE STYLE	<i>See pages 35-38 and textile samples for textile codes.</i>	<i>Note: Extended lead times may apply for Liberty Side Chairs with textile-covered seat. Please consult your Humanscale representative.</i>
9	SEAT MESH/ TEXTILE COLOR	<i>See pages 35-38 and textile samples for color options and codes.</i>	<i>Note: U, E, Z, R, Y not available on Side chair</i>
10	GEL SEAT*	— Standard Seat Pan G Gel Seat (Add \$76)	<i>Available only with V, B, H, S, F, K, G or W textiles</i>
11	CYLINDER*	— Standard 5" L Low 3.75" (Add \$26) T Tall 5" (Add \$37) F High 8" w/18" Foot Ring (Add \$110) R High 8" w/21" Foot Ring (Add \$152)	<i>Note: Silver Trim chairs ship with Polished Aluminum cylinders. Black Trim chairs ship with Black cylinders</i>
12	CASTERS/* GLIDES	— Standard 3" Casters for carpeted floors S Soft Casters G Glides (Add \$21)	
13	FIREPROOFING	— Standard Foams and Plastics C CAL 133-Approved Foams and Plastics (Add \$44)	<i>Note: Standard Side Chair is CAL 133-approved</i>
14	BASE CAPS*	— Standard Base to Match Trim Color — Polished Base Caps with Polished Aluminum Frame A Polished Base Caps with Black or Silver Frame (Add \$43)	
15	SHIPPING	— Individually Boxed B Blanket Wrapped**	

* Not available on Side chair

** See Terms and Conditions, page 101, for minimum order requirements

† On Side chairs available with textile-covered seat only

Diffrient world™ Features & Characteristics

Diffrient World marks Humanscale's first foray into all-mesh task seating. Like its mesh-backed forerunner, Liberty, Diffrient World's tri-panel backrest hugs the body to provide tailor-made lumbar support, while its mesh seat eliminates contact stress under the thighs. But Diffrient World's major innovation is its mechanism-free recline action, which leverages two parts of the chair's frame, the user's body weight, and the laws of physics to provide automatic and balanced support throughout the full range of recline. No chair is more intuitive, creating the ultimate user-friendly sitting experience.



PHYSICAL CHARACTERISTICS

CUSHIONS

- Non-stretch, tri-panel mesh back
- Non-stretch mesh seat
- Optional upholstered polyurethane foam seat cushion

EXTERNAL FRAME

- Injection-molded, structural, integral color glass-filled Nylon 6

STORED ENERGY DEVICES

- Pneumatic cylinder for adjustable seat height

OPTIONAL FOOT RING

- Chrome-plated steel

STANDARD FEATURES

SELF-ADJUSTING RECLINE

- Mechanism-free counter-balance recline action automatically provides the right amount of support through the full range of recline motion, regardless of user size and weight
- No tension springs to adjust
- No recline locks to set/release
- During recline, the angle between torso and legs opens up for better body function
- User maintains near-constant eye level during recline

PIVOTING BACKREST

- Extra motion of the backrest during recline automatically adjusts to the changing needs of the spine
- Provides additional lumbar support as needed

FORM-SENSING MESH

- Tri-panel, non-stretch mesh construction creates body-fitting contours and self-adjusting lumbar support for a customized fit
- No external lumbar devices to adjust, break or lose
- Low-abrasion mesh protects clothing
- Modular for easy replacement and upgrades

NON-STRETCH MESH SEAT

- Automatically sculpts to match body contours
- Cradles the body in flexible, breathable mesh
- Frameless front edge eliminates contact stress under the thighs

STANDARD CYLINDER

- Provides seat height range that accommodates 95% of the population

BODY FIT

- Size adjustable to fit 95% of the population
- Form-sensing mesh provides perfect lumbar support—automatically
- Manual adjustments for fit-to-size:
 - Seat Height: 5" (127mm) adjustment range
 - Seat Depth: 3.5" (89mm) adjustment range

CASTERS

- 3" (76mm) standard hard casters

OPTIONAL FEATURES

ARMREST OPTIONS

- Armless
- Fixed armrests
- Height-adjustable armrests with 3.2" (81mm) range of adjustment

ARM PAD OPTIONS

- Flexible Duron
- Matching textile-covered arm pad

UPHOLSTERED SEAT CUSHION

- Mesh topped with a thin layer of polyurethane foam
- Upholstered in a variety of textile options

CYLINDER OPTIONS

- Low cylinder for small users
- Tall cylinder for very tall users
- High cylinder with foot ring

FIREPROOFING

- CAL 133-approved

CASTER OPTIONS

- Non-rolling glides for fixed location use
- Optional soft casters for hard floors

FOOT RING

- Chrome finish
- Height-adjustable

Diffrient world™ Options & Prices

CONFERENCE / TASK CHAIR

Armless	W10
Fixed Duron Arms	W16
Fixed Duron Arms with Matching Textile Cover*	W17
Height-Adjustable Duron Arms	W11
Height-Adjustable Duron Arms with Matching Textile Cover*	W12

REPLACEMENT PARTS†

Replacement Cushions	Mesh Backrest	DWCB	3422
	Mesh Seat Cushion	DWCS	3422
	Textile-Covered Seat Cushion	DWCSM	31222
	Fixed Duron Arm Pads (Pair)	DWFD	35
	Fixed Duron Arm Pads with Matching Textile Cover (Pair)*	DWFDM	1222
	Height-Adjustable Duron Arm Pads (Pair)	DWAD	35
	Height-Adjustable Duron Arm Pads with Matching Textile Cover (Pair)*	DWADM	1222

RETROFIT PARTS†

Retrofit Armrest Kits	Fixed Duron Arms (Pair)	DWKFD	35
	Fixed Duron Arms with Matching Textile Cover (Pair)*	DWKFDM	31222
	Height-Adjustable Duron Arms (Pair)	DWKAD	35
	Height-Adjustable Duron Arms with Matching Textile Cover (Pair)*	DWKADM	31222

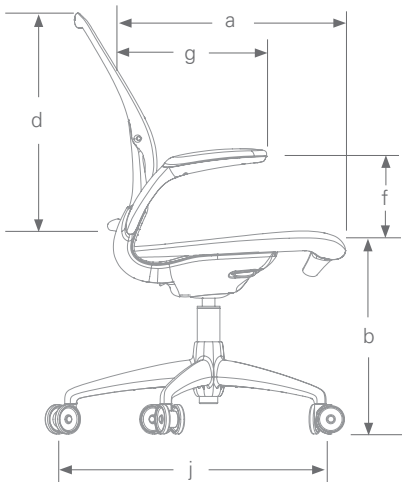
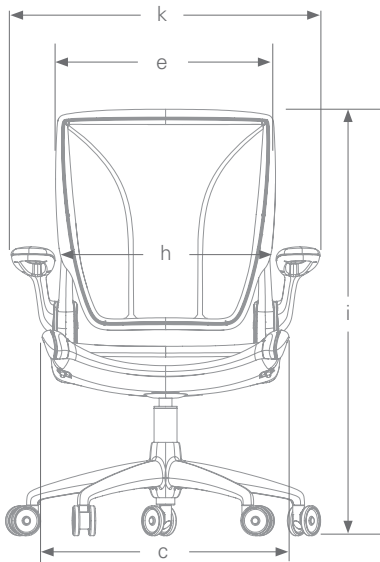
1 – Textile Code (pages 35-38) **2** – Cushion Color (pages 35-38) **3** – Frame Color (B, W, V) **4** – Mesh (M, C, T, A, N) **5** – Arm Pad Color (S, B)

* Available with textile-covered seat only

† All World Chair Replacement and Retrofit Parts are CAL 133-approved

MESH	TEXTILE 0	TEXTILE 1	TEXTILE 2	TEXTILE 3
\$790	\$820	\$860	\$900	\$940
\$870	\$900	\$940	\$980	\$1,020
-	\$925	\$965	\$1,005	\$1,045
\$960	\$990	\$1,030	\$1,070	\$1,110
-	\$1,015	\$1,055	\$1,095	\$1,135
\$147	-	-	-	-
\$147	-	-	-	-
-	\$190	\$210	\$232	\$253
\$47	-	-	-	-
-	\$58	\$68	\$90	\$90
\$47	-	-	-	-
-	\$58	\$68	\$90	\$90
\$95	-	-	-	-
-	\$105	\$115	\$137	\$137
\$190	-	-	-	-
-	\$200	\$210	\$232	\$232

SPECIFICATIONS



CODE	DESCRIPTION	MEASUREMENT
a	seat depth <i>(from face of lumbar to front of seat)</i>	16.5" – 20" (419mm – 508mm)
b	seat height <i>(from floor to compressed front center of seat cushion)</i>	16" – 21" (406mm – 533mm) standard chair 15.25" – 19" (387mm – 483mm) low chair 17" – 22.25" (432mm – 565mm) tall chair 20.5" – 28.5" (521mm – 724mm) high cylinder with foot ring
c	seat width	21.1" (536mm)
d	backrest height <i>(from seat cushion to top of backrest)</i>	23" (584mm)
e	backrest width	19" (483mm)
f	armrest height <i>(from compressed seat cushion to top of armrest)</i>	9.75" (248mm) fixed 7.75" – 11" (198mm – 279mm) adjustable
g	armrest length <i>(from face of lumbar to front of armrest)</i>	12.5" (318mm)
h	distance between armrests	19" (483mm)
i	height	36.5" – 41.5" (927mm – 1,054mm) standard chair 35.75" – 39.5" (908mm – 1,003mm) low-cylinder chair 37.5" – 42.75" (953mm – 1,086mm) tall-cylinder chair 41" – 49" (1,041mm – 1,245mm) high cylinder chair with foot ring
j	base diameter	24" (610mm)
k	chair width	26" (660mm)

SCOPE OF USERS

- Conference/Task chair fits 95% of the office population
 - 5'0" (152cm) Woman to 6'4" (193cm) Man
 - 100 to 300 lbs. (45.4kg – 136kg)
- Users outside the standard height range can be accommodated by Low or Tall Cylinder

WEIGHT

- 27 lbs. (12.2kg) Conference/Task chair
- 25 lbs. (11.3kg) Armless chair

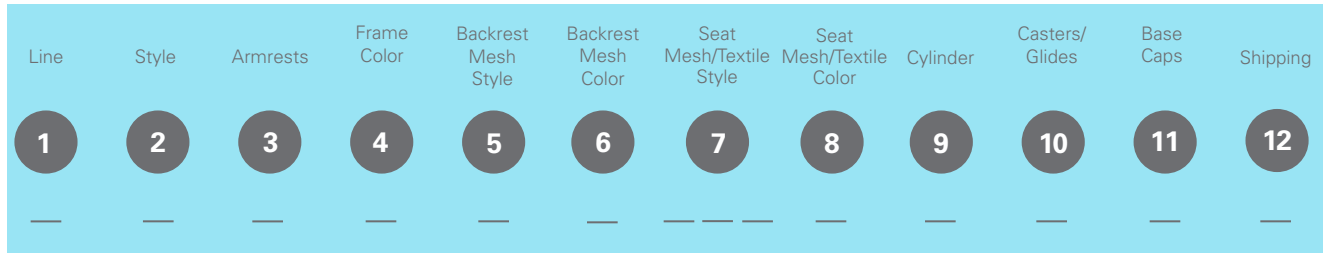
TILT AND RECLINE

- 17° recline plus 8° backrest tilt

REFERENCE ANGLE BETWEEN SEAT AND BACK

- 100° to 125°

Diffrient world™ Build Your Product Code



COMPONENT	CODE	DESCRIPTION	
1 LINE	W	Diffrient World Chair	<i>Note: Diffrient World Chair is CAL 133-approved</i>
2 STYLE	1	Conference/Task Chair	
3 ARMRESTS	0 1 2 6 7	Armless Adjustable Duron Arms Adjustable Duron Arms with Matching Textile* Fixed Duron Arms Fixed Duron Arms with Matching Textile*	<i>Note: White and Gray frames ship with Gray Duron Arm Pads, Black frame ships with Black Duron Arm Pads</i>
4 FRAME COLOR	B W V	Black White (Add \$40) Gray	<i>Note: White frame ships standard with Brushed Stainless Steel Caps and translucent casters</i>
5 BACKREST MESH STYLE	M C T A N	Monofilament Stripe** Silver Check** Torque** Dash Pinstripe	<i>See page 37 and textile samples for mesh descriptions</i>
6 BACKREST MESH COLOR			<i>See page 37 and textile samples for mesh color options and codes</i>

* Available with textile-covered seat only

** M, C, T available on backrest only

COMPONENT	CODE	DESCRIPTION	
7 SEAT MESH/TEXTILE STYLE		<i>See pages 35-38 and textile samples for mesh color options and codes</i>	<i>Note: Extended lead times may apply for Diffrient World Chair with textile-covered seat. Please consult your Humanscale representative</i>
8 SEAT MESH/TEXTILE COLOR		<i>See pages 35-38 and textile samples for color options and codes</i>	<i>Note: U, E, Z, R, Y not available on Diffrient World Chair</i>
9 CYLINDER	— L T F	Standard 5" Low 3.75" (Add \$26) Tall 5" (Add \$37) High 8" w/18" Foot Ring (Add \$110)	<i>Note: White and Gray frame chairs ship with Chrome cylinders, Black frame chairs ship with Black cylinders</i>
10 CASTERS/ GLIDES	— S G	Standard Hard Casters Soft Casters (Add \$16) Glides (Add \$21)	
11 BASE CAPS	— H	Standard Brushed Stainless Steel Caps on Black or Gray Base (Add \$21)	
12 SHIPPING	— B	Individually Boxed Blanket Wrapped†	

† See Terms and Conditions, page 101, for minimum order requirements

cinto™ Features & Characteristics

Appropriate for a wide range of commercial and residential environments, Cinto sets a new standard for ergonomic stackable seating through unique design and manufacturing innovations. Spanish for “belt,” Cinto features a floating backrest that is attached to the chair’s frame via a flexible belt, allowing it to move with the body to provide recline and automatic lumbar support. Stress-relief cross-slits on Cinto’s seat pan flex independently under the sitting bones to evenly distribute body weight and reduce pressure points, while air vents on the backrest and seat pan enable air circulation for cool seated comfort.



PHYSICAL CHARACTERISTICS

SEAT PAN, BACKREST

- Injection-molded polypropylene

ARM PAD

- Polyethylene

FRAME

- Steel tube

BELT

- Elastomer

STANDARD FEATURES

FLEXIBLE BACKREST

- Attached to the chair’s frame via a flexible belt, the floating backrest bends and adjusts with the sitter
- Flexibility of backrest creates virtual pivot point for automatic lumbar support
- No adjustments required

STRESS-RELIEF CROSS-SLITS

- Seat pan cross-slits flex independently under the sitting bones for even weight distribution and reduced pressure points

VENTED SEAT PAN AND BACKREST

- Promotes air circulation and prevents “hot spots”

STACKABILITY

- Freestanding Cintos stack six chairs high
- Up to 15 chairs can be stacked on the optional Cinto Dolly

BACKREST HANDLE

- Provides easy transport

LOW MAINTENANCE

- Washable with soap and water

OPTIONAL FEATURES

ARMREST OPTIONS

- Armless
- Fixed arms

FRAME OPTIONS

- Silver
- Black

BASE OPTIONS

- Sled base
- Four legs on glides
- Four legs on casters

COLOR OPTIONS

- White with Gray Belt
- Black with Black Belt
- Gray with Gray Belt
- Taupe with Gray Belt
- Light Gray with Gray Belt
- Yellow with Gray Belt
- Green with Gray Belt
- Light Blue with Gray Belt
- Blue with Gray Belt
- Red with Gray Belt

FIREPROOFING

- CAL 133-approved

SPECIFICATIONS

SCOPE OF USERS

- Weight capacity: 300 lbs.

WEIGHT

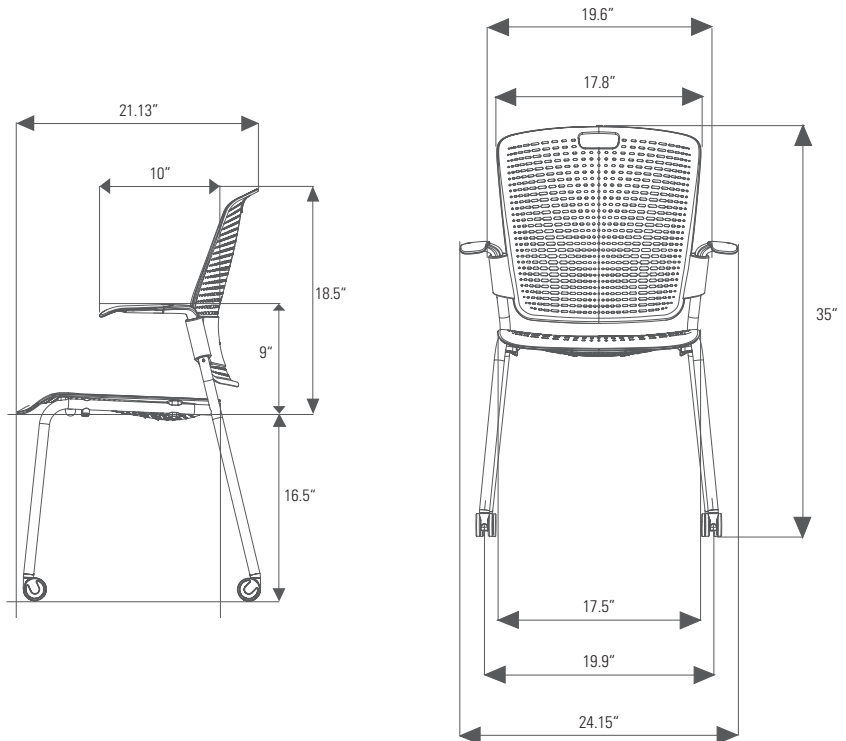
- 12 lbs. Armless chair
- 13 lbs. Fixed-Arm chair

CINTO DOLLY EMPTY

- Height 44"
- Depth 41"
- Width 26"

CINTO DOLLY FULLY STACKED WITH 15 CHAIRS

- Height 67"
- Depth 41"
- Width 26"

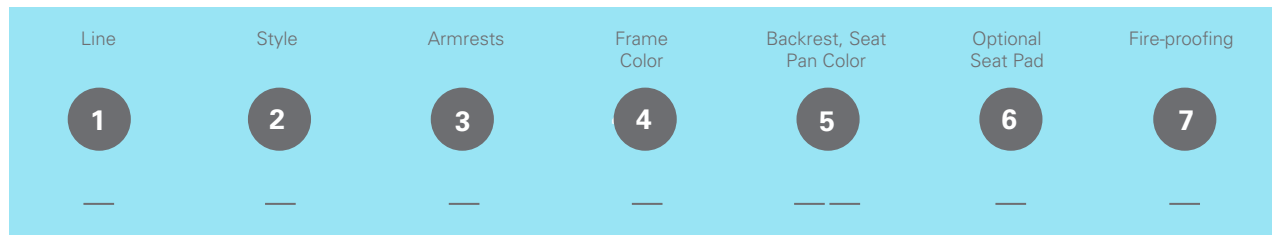


cinto™ Options & Prices

ARMLESS STACKING CHAIR	OPTIONS	CODE	LIST PRICE
 	Four Legs/Glides	C10	\$225
	Four Legs/Casters	C20	\$255
	Sled Base	C30	\$265
FIXED-ARM STACKING CHAIR			
 	Four Legs/Glides	C15	\$275
	Four Legs/Casters	C25	\$305
	Sled Base	C35	\$315
SEAT PAD			
	Optional Seat Pad	V _ _ _	\$42
CINTO DOLLY			
	Cinto Dolly	CINTODLY	\$240
REPLACEMENT/RETROFIT PARTS	OPTIONS	CODE	LIST PRICE
	Seat Pan	CRS 11	\$52
	Seat Pan, CAL 133-Approved	CRS 11 C	\$62
	Seat Pad	CRP 4555	\$42
	Casters (Black, Set of 4)	CRCAST	\$31
	Glides (Set of 4)	CRGLIDE 2	\$11
	Arm Sleeves (Pair)	CRA 3	\$27
	Retrofit Armrest Kit (Pair)	CKA 23	\$80

1- Backrest, Seatpan Color; 2 - Frame Color (S-Silver, B-Black);
3 - Trim Color (G-Gray, B-Black); 4 - Upgrades (Standard Plastics, C-Fireproofing/Cal 133 Approved)

cinto™ Build Your Product Code



COMPONENT	CODE	DESCRIPTION	
1 LINE	C	Cinto (Base price \$225)	
2 STYLE	1	Four Legs, Glides	
	2	Four Legs, Casters (Add \$30)	
	3	Sled Base (Add \$40)	
3 ARMRESTS	0	Armless	
	5	Fixed Arms (Add \$50)	
4 FRAME COLOR	S	Silver	
	B	Black	
5 BACKREST, SEAT PAN COLOR	01	White	<i>Note: Belt is Black on Black chairs, Gray on all other colors.</i>
	10	Black	
	15	Gray	
	17	Taupe	
	18	Light Gray	
	33	Yellow	
	41	Green	
	52	Light Blue	
	53	Blue	
	72	Red	
6 OPTIONAL SEAT PAD	---	No seat pad	
	V101	Vellum Black (Add \$42)	
	V102	Vellum Graphite (Add \$42)	
	V414	Vellum Greenwood (Add \$42)	
	V713	Vellum Pomegranate (Add \$42)	
7 FIREPROOFING	—	Standard Plastics	
	C	CAL 133-Approved (Add \$21)	

Textiles

TEXTILE

The cushions on all Humanscale chairs utilize advanced technology developed primarily for the sportswear and sporting goods industries. In a single step, a high-tech molding process combines the textile, foam or Technogel®, and plastic support shell into a single, modular unit which can be attached to our seating with four screws. Because of this advanced process, the textiles used on the cushions are as unique as the rest of the chair, and satisfy requirements more demanding than typical upholstery textiles.

WAVE

Textile Code: W **Textile Grade: 1**
Developed initially for sportswear, Wave responds to the unique form and production requirements of Humanscale seating. This four-way stretch fabric exceeds all contract interior testing requirements for heavy-duty upholstery. The colors of Wave are taken from the phenomenal hues found in nature.

Colors:
101 Black
102 Graphite
104 Smoke
201 Dark Brown
213 Rattan
402 Loden
415 Sage
502 Blue
507 Navy
601 Ultraviolet
714 Poppy
803 Cayenne

VELLUM

Textile Code: V **Textile Grade: 1**
Constructed of a simple weave using a blend of nylon, Cordura and elastic yarn, this textile offers a pleasing texture and extreme durability. Because of the Cordura content, this four-way stretch woven textile performs to the rigors of the most demanding environments. The color palette includes brights, classics, and neutrals.

Colors:
101 Black
102 Graphite
106 Ash
114 Light Gray
202 Seal
211 Beech
212 Mahogany
404 Moss
407 Grass
414 Greenwood
507 Navy
607 Periwinkle
713 Pomegranate

SQUIGGLE

Textile Codes: **Textile Grade: 0**
Vertical: S
Horizontal: G
Composed of 100% recycled polyester, Squiggle offers an innovative weave structure to create a modern organic wave pattern resembling ripples of water. This environmentally sound textile may be applied either horizontally or vertically to Humanscale seating.

Colors:
106 Ash
208 Chocolate
262 Sand
275 Espresso
507 Navy

GINKGO

Textile Code: F **Textile Grade: 2**
Composed of 90% Wool, Ginkgo offers a pleasing texture and durability. Its subtle and elegant pattern makes this textile appropriate for a variety of environments. Ginkgo comes in vibrant and saturated colors, expanding the scope of Humanscale's upholstery line.

Colors:
101 Black
197 Charcoal
281 Walnut
315 Wheat
463 Green
507 Navy
556 Storm
568 Horizon
816 Harvest Orange

SENSUEDE

Textile Code: D **Textile Grade: 3**
Offering style and performance, Sensuede was developed to be the best and most luxurious engineered suede available. The silky feel is the result of recycled microfibers that are breathable, extra-strong, and resistant to most stains and wrinkles.

Colors:
111 Ebony
115 Pewter
208 Chocolate
305 Goldenrod
406 Olive
411 Pear
413 Arbor
512 Denim
517 Persian
709 Pampas
712 Oxblood

BRIDGET STRIPE

Textile Codes: Textile Grade: 2

Vertical: B

Horizontal: H

Composed primarily of renewable merino wool, Bridget Stripe offers a five-color 50-stripe pattern with shifting color sequence that creates an undisrupted movement across the surface of the fabric. Boasting exceptional durability for a wool textile, Bridget Stripe may be applied either horizontally or vertically to Humanscale seating.

Colors:

104 Smoke
266 Kohl

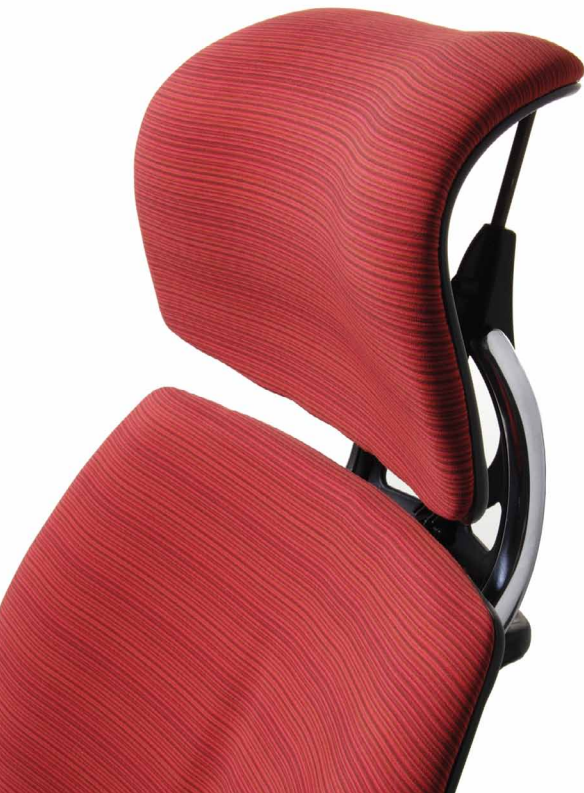
PROMESSA

Textile Code: E Textile Grade: 3

This Ultraleather textile from Ultrafabrics is environmentally friendly, wipeable and antimicrobial, and ideally suited to healthcare, hospitality and industrial applications. Made without PVC, Promessa has a pebbled, highly textured finish that will work beautifully in a wide variety of environments.

Colors:

111 Ebony
158 Shale
215 Horsehair
219 Fields
224 Cashmere
245 Bronze
255 Leather
518 Atlantic



LOTUS

Textile Code: K Textile Grade: 1

Water repellent and easy to clean, Lotus is an ideal textile for the healthcare and hospitality environments. Its polyurethane finish with nylon backing boasts a soft texture that is pleasant to the touch while offering exceptional durability.

Colors:

101 Black
128 White
158 Shale
182 Hematite
2C4 Umber
281 Walnut
302 Ochre
459 Verdant
507 Navy
603 Plum
608 Crocus
624 Eggplant
757 Earth Red
758 Lucky Red

Textiles

SPINNEYBECK LEATHER

VICENZA

Textile Code: Z **Leather Grade: 0**
A lightly corrected, aniline-dyed leather produced from European hides, Vicenza receives a special retannage which enriches the leather and tightens the grain. A breathable protective finish offers durability and comfort.

Colors:
101 Black
201 Dark Brown
214 Saddle
506 Night Blue

CERVO

Textile Code: R **Leather Grade: 3**
Cervo is thicker than the other leathers in our collection. Specialized milling adds additional character providing a soft pebble grain texture unmatched by any other leather in its class.

Colors:
1A6 Pietra Lentina
1A7 Sasso Nero
2F0 Mantefalcone
2E8 Aveto
2E9 Metaponto
470 Campigna

MESH

These translucent textiles were created to provide optimal ergonomic support and comfort by melding strength, flexibility and resiliency. They surpass the performance criteria for contract seating textiles and meet a variety of environmental standards in both the United States and Europe, while remaining gentle on clothing.

ACQUA

Textile Code: Y **Leather Grade: 1**
Acqua's combination of a special retannage and technically-advanced finishing process results in a leather that is not only water-resistant but also practical for applications that require a durable finish.

Colors:
1C0 Leviathan
1C1 Black Sea
1A9 Aquitania
2F1 Tahiti
2F2 Mississippi Delta
2F3 Sea Wolf
471 Flying Dutchman
573 Cote d' Azur
763 Yardarm

MONOFILAMENT STRIPE

Mesh Code: M
Using only monofilament yarns that are thin and strong, a simple but classic stripe pattern is achieved through weave structure and yarn placement. This pattern has slight elasticity but terrific memory.

Colors:
10 Black
11 Carbon
14 Platinum
41 Green
51 Atlantic
81 Amber

TORQUE

Mesh Code: T
This proven weave construction gives the look of a solid yet translucent textile. Originally developed as a protective layer for motorcycle riders, Torque is woven with nylon, polyester and urethane yarns. It is both unique and durable.

Colors:
10 Black
13 Aluminum
31 Soleil
61 Lagoon

SILVER CHECK

Mesh Code: C
This unique translucent pattern is achieved using monofilament and a silver-plated yarn spun with polyester at its core. More than simply an aesthetic choice, the silver-plated yarn gives the textile flexibility and strength.

Colors:
12 Alloy
32 Topaz

DASH

Mesh Code: A
Designed to resemble embroidery floss, Dash is stronger, more responsive, lighter weight and uses less material than most mesh textiles. It gives the user support, comfort and ease of movement, while meeting Humanscale's seating requirements.

Colors:
14 Platinum
19 Zinc

PINSTRIPLE

Mesh Code: N
Designed specifically to work with the Diffrient World Chair, this lightweight fabric provides the strength and support of a much heavier mesh by using two different monofilament stretch yarns to provide proper support.

Colors:
01 White
02 Silver
03 Graphite
10 Black
34 Cadmium Yellow*
43 Citron*
74 Crimson*

* Available Q1 2013

TEXTILE PURCHASE PROGRAM

All Humanscale textiles (with the exception of Leather, Sensuede, Promessa and Spirit Millennium) are available for purchase by the linear yard. The prices below are net (standard discounts do not apply). A \$20 cut charge will apply to each order. Please see your Humanscale representative for more information.

Wave	\$35/yard (61" width)
Monofilament Stripe	\$60/yard (50" width)
Vellum	\$45/yard (50" width)
Silver Check	\$70/yard (53" width)
Torque	\$70/yard (57" width)
Squiggle	\$25/yard (54" width)
Bridget Stripe	\$55/yard (55" width)
Lotus	\$36/yard (54" width)
Ginkgo	\$75/yard (51" width)

CUSTOM COLORS

Textiles:

Most Humanscale textiles are available in any customer-specified color. Delivery time frames for custom color orders will depend on color approval. A surcharge of \$200 will apply to custom color orders of 100 or more chairs, and a surcharge of \$350 will apply to custom color orders of less than 100 chairs. The following minimums are required for custom textile colors.

Vellum:

50-chair minimum (Freedom), 100-chair minimum (Liberty & Diffrient World)

Wave:

175-chair minimum (Freedom), 350-chair minimum (Liberty & Diffrient World)

Torque:

110-chair minimum

Lotus:

200-chair minimum (Freedom), 400-chair minimum (Liberty & Diffrient World)

Ginkgo:

240-chair minimum (Freedom), 480-chair minimum (Liberty & Diffrient World)

Non-Stocked Colors:

Vicenza, Acqua and Cervo leathers, Sensuede, Spirit Millennium, and Promessa can be ordered in any color standard to these textile lines, even if it isn't stocked by Humanscale. Ordering any non-stocked color may impact the lead time for delivery. The list price upcharge for these non-stocked colors is as follows:

Sensuede, Spirit Millennium, Promessa:

\$30 per chair (Freedom), \$20 per chair (Liberty & Diffrient World)

Vicenza, Acqua, Cervo:

\$30 per chair (Freedom), \$20 per chair (Liberty)

Vicenza, Acqua, Cervo:

2-chair minimum (Freedom), 4-chair minimum (Liberty)

Civilization advances by the number
of important operations which we can
perform without thinking about them.

—Alfred North Whitehead

Lighting



Build Your Element Light Product Code

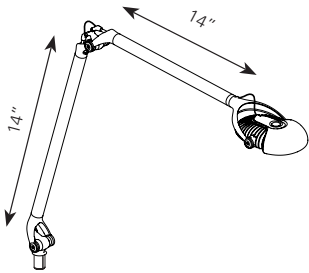
Element Light

To create the product code for your Element Light, simply choose your preferred style, plug, mount and color, and combine the respective codes for each.

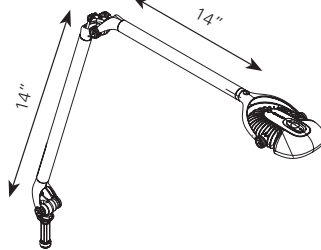
Element Light Product Code:

Style	Plug	Mount	Color
1	2	3	4
_____	_____	_____	_____

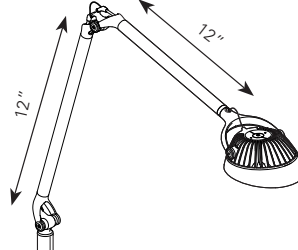
1 Style



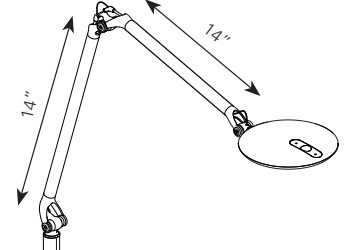
EL \$405
Element Classic: 5-Watt MCX LED Light



ED \$449
Element 790: 5-Watt Hi-Output MCX LED with Dimmer



EV \$499
Element Vision: 7-Watt Hi-Output MCX LED with Dimmer and Occupancy Sensor

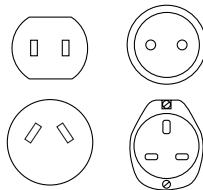


EC \$499
Element Disc: 7-Watt Thin Film LED Technology™ with Dimmer and Occupancy Sensor

2 Plug

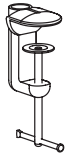


E N/C
North America



U Add \$4
Universal
(4 interchangeable plugs)

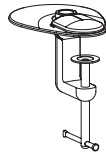
3 Mount



C N/C

Clamp

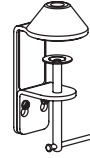
For grommet or edge mount. Fits surfaces up to 2" thick and grommet holes 2" or more in diameter.



G Add \$10

Clamp with Grommet Cover

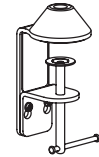
For grommet holes 2" – 3.25" in diameter.



K Add \$15

2-Piece Clamp

Requires minimum 1/4" clearance between desk and wall or panel.



T Add \$35

2-Piece Clamp with Theft Deterrent

Requires minimum 1/4" clearance between desk and wall or panel. By Special Order.



Panel Mount Add \$25

PC Allsteel Concensys

P2 Allsteel Terrace 2.6 & 3.4, Align

PH Haworth Places, Unigroup

PM Haworth Premise

PA Herman Miller Action Office

PR Herman Miller Resolve

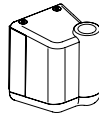
P9 Steelcase 9000

PB Teknion Boulevard

PI Teknion IE

PL Teknion Leverage, Transit

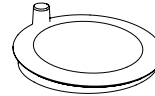
Not compatible with corner mount applications. For other panel systems, see your Humanscale representative.



U Add \$25

Universal Panel Mount

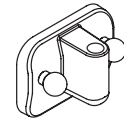
Adjusts to fit most panels that use vertical slotted rails for mounting accessories. Not compatible with corner applications.



B Add \$50

Element Desktop Base

8" diameter



S N/C

Universal Slatwall

Adjusts to fit most standard slatwalls.



W N/C

Wall

Screws into vertical surface.



A N/C

Humanscale Access Rail

NM N/C

No Mount



D N/C

Direct

Screws into horizontal surface.



R Add \$25

Direct with Theft Deterrent

Screws into horizontal surface. By Special Order.

Note: All Silver lights ship with Silver mounts.

All Black lights ship with Black mounts.

All White lights ship with Silver mounts, except Desktop Base (B),

Two-Piece Clamp (K), Two-Piece Clamp with Theft Deterrent (T),

Direct (D), and Direct with Theft Deterrent (R), which ship White.

4 Color

S
Silver

W
White

B
Black
*ONLY available with
ED & EV styles*

Element Light Replacement Parts *(if purchased separately)*

ELEMENT LIGHT MOUNTS

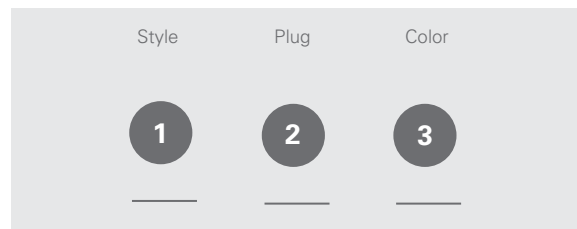
Element Desktop Base	ELBS (silver), ELBW (white) ELBB (black)	\$85
Access Rail	DLAS (silver), DLAB (black)	\$35
Clamp <i>For grommet or edge mount</i>	DLCS (silver), DLCB (black)	\$35
2-Piece Clamp <i>For edge mount</i>	DLKS (silver), ELKW (white) DLKB (black)	\$50
2-Piece Clamp with Theft Deterrent	ELTS (silver), ELTB (black) ELTW (white)	\$75
Direct	DLDS (silver), ELDW (white) DLDB (black)	\$35
Direct with Theft Deterrent	ELRS (silver), ELRB (black) ELRW (white)	\$60
Universal Slatwall	DLSS (silver)	\$35
Wall	DLWS (silver)	\$35
Universal Panel Mount	DLUS (silver), DLUB (black) ELUW (white)	\$60
Panel Mount	DL <u>1</u> <u>1</u> <u>2</u>	\$60
	(1): Panel System Code, (2): Color (B or S)	
Grommet Cover <i>For use with Clamp Mount C</i>	DLGC (black)	\$10
North American Plug Set	ELPLUGE	\$35
Universal Plug Set	ELPLUGU	\$50

Build Your Horizon Product Code

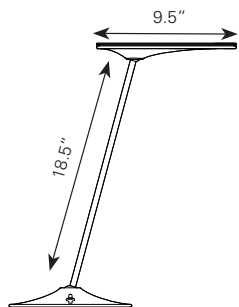
Horizon Light

To create the product code for your Horizon Light, simply choose your preferred style, plug, mount and color, and combine the respective codes for each.

Horizon Light Product Code:



1 Style

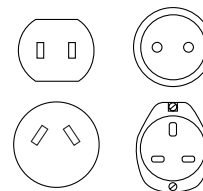


HNB \$475
Horizon Light: 9-Watt
Thin Film LED Technology™
with Dimmer, Base Style

2 Plug



E N/C
North America



U Add \$4
Universal
(4 interchangeable plugs)

3 Color

B
Black, Glossy

S
Silver

W
White, Glossy

Technology can make simple things complicated or complicated things simple – we prefer the latter.

Build Your Artemide Tolomeo Light Product Code

Tolomeo Light

To create the product code for your Tolomeo Light, simply choose your preferred style, mount, color, and lamp and combine the respective codes for each.

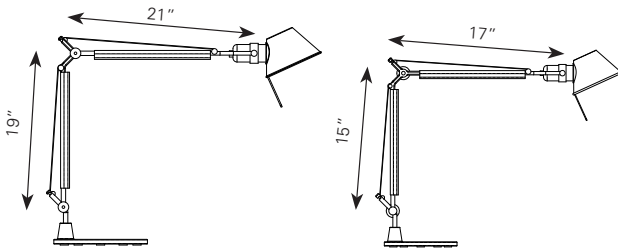
Special dealer discounting for Tolomeo product line. Consult your Humanscale rep.

Tolomeo Light Product Code:

Style	Mount	Color	Lamp
1	2	3	4
_____	_____	_____	_____

1 Style

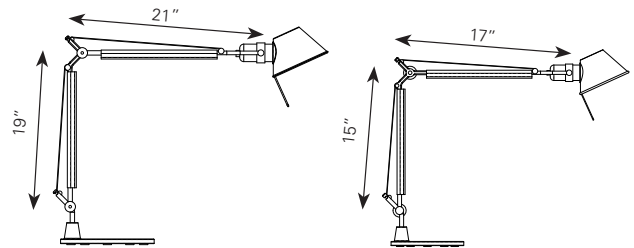
TOLOMEO LED LIGHT (TL SERIES)



TLC \$435
10-Watt Tolomeo Classic LED Light

TLM \$415
10-Watt Tolomeo Mini LED Light

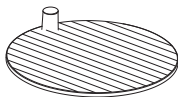
TOLOMEO CFL LIGHT (TT SERIES)



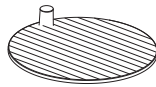
TTC \$300
Tolomeo Classic CFL Light

TTM \$285
Tolomeo Mini CFL Light

2 Mount



B Add \$160
Desktop Base for Classic
9" diameter



B Add \$150
Desktop Base for Mini
8" diameter

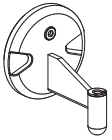


C Add \$55
Clamp



V Add \$40
In-Set Pivot
For mounting into horizontal surfaces.
Requires a hole 0.65" in diameter

2 Mount, cont.



W Add \$55
Wall Surface

N N/C
No Mount

3 Color

S
Silver

4 Lamp

TOLOMEO 10-WATT LED LIGHT INCLUDED (TL SERIES)

— Standard LED N/C

Tolomeo Light Replacement Parts

(if purchased separately)

TOLOMEO LIGHT MOUNTS (TL & TT SERIES)

Desktop Base for Classic, 9"	TABCS (silver)	\$220
Desktop Base for Mini, 8"	TABMS (silver)	\$210
Clamp	TACS (silver)	\$115
In-Set Pivot	TAVS (silver)	\$100
Wall	TAWS (silver)	\$115

TOLOMEO CFL LIGHT ACCESSORIES (TT SERIES)

Lamp 18W, 3500K	DLCFL1	\$8
Lamp 23W, 3500K	DLCFL2	\$8
Lamp 13W, 3500K	DLCFL3	\$8
Lamp 9W, 3500K	DLCFL4	\$8
Lamp 18W, 2700K	DLCFL6	\$8
Lamp 18W, 5500K, Full spectrum	DLCFL7	\$30

TOLOMEO CFL LIGHT (TT SERIES)

1	18W, 3500K (standard)	Add \$5
2	23W, 3500K	Add \$5
3	13W, 3500K	Add \$5
4	9W, 3500K	Add \$5
6	18W, 2700K	Add \$5
7	18W, 5500K, Full Spectrum	Add \$20
0	No Bulb	N/C

Build Your Diffrient Light Product Code

Diffrient Task Light II and Work Light II

To create the product code for your Diffrient Light, simply choose your preferred style, mount, color and lamp, and combine the respective codes for each.

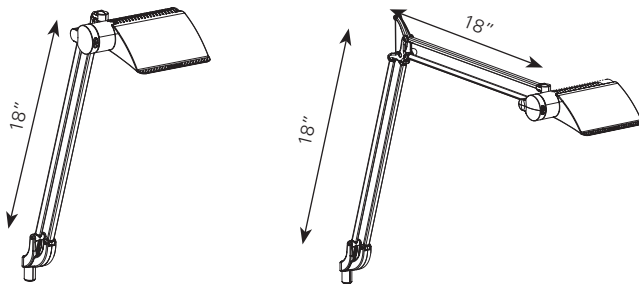
Diffrient Task Light II and Work Light II Product Code:

Style	Mount	Color	Lamp
1	2	3	4
_____	_____	_____	_____

1 Style

DIFFRIENT TASK LIGHT II (DA SERIES)

Compatible with GU24 2-pin compact fluorescent bulbs.

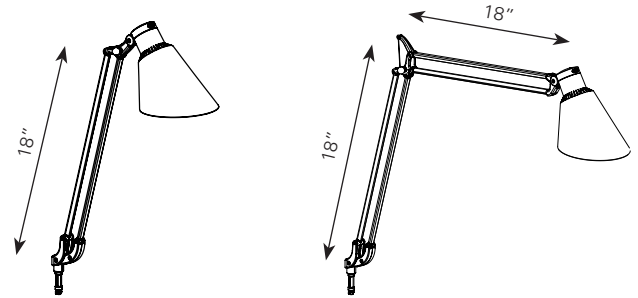


DA1E \$290
Single Arm with Task Shade

DA2E \$322
Double Arm with Task Shade

DIFFRIENT WORK LIGHT II (DX SERIES)

E26 socket compatible with screw-in bulbs up to 60W.



DX1E \$290
Single Arm with Work Shade
DX1M (for Mexico)

DX2E \$322
Double Arm with Work Shade
DX2M (for Mexico)

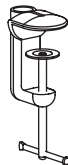
2 Mount



B Add \$90

Diffrient Desktop Base

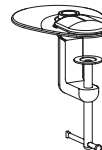
9" diameter



C N/C

Clamp

For grommet or edge mount. Fits surfaces up to 2" thick and grommet holes 2" or more in diameter.



G Add \$10

Clamp with Grommet Cover

For grommet holes 2" – 3.25" in diameter.



A N/C

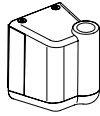
Humanscale Access Rail

2 Mount, cont.



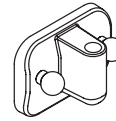
Panel Mount Add \$25

- PC** Allsteel Concensys
- P2** Allsteel Terrace 2.6 & 3.4, Align
- PH** Haworth Places, Unigroup
- PM** Haworth Premise
- PA** Herman Miller Action Office
- PR** Herman Miller Resolve
- P9** Steelcase 9000
- PB** Teknion Boulevard
- PI** Teknion IE
- PL** Teknion Leverage, Transit
Not compatible with corner mount applications. For other panel systems, see your Humanscale representative.



U Add \$25

Universal Panel Mount
Adjusts to fit most panels that use vertical slotted rails for mounting accessories. Not compatible with corner applications.



S N/C

Universal Slatwall
Adjusts to fit most standard slatwalls.



W N/C

Wall
Screws into vertical surface.



D N/C

Direct
Screws into horizontal surface.

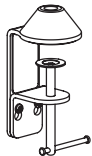


R Add \$25

Direct with Theft Deterrent
Screws into horizontal surface. By Special Order.

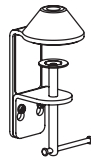
NM N/C

No Mount



K Add \$15

2-Piece Clamp
Requires minimum 1/4" clearance between desk and wall or panel.



T Add \$35

2-Piece Clamp with Theft Deterrent
Requires minimum 1/4" clearance between desk and wall or panel. By Special Order.

3 Color

S
Silver

B
Black

4 Lamp

DIFFRIENT TASK II LIGHT (DA SERIES)

A	18W, 3500K, GU24 base (standard)	N/C
C	13W, 3500K	N/C
D	9W, 3500K	N/C
E	18W, 2700K	N/C

DIFFRIENT WORK LIGHT II (DX SERIES)

1	18W, 3500K, E26 socket (standard)	N/C
2	23W, 3500K	N/C
3	13W, 3500K	N/C
4	9W, 3500K	N/C
6	18W, 2700K	N/C
7	18W, 5500K, Full Spectrum	Add \$20
0	No Bulb	Less \$5

Build Your Diffrient Technology Light Product Code

Diffrient Technology Light

To create the product code for your Diffrient Light, simply choose your preferred style, base features, color, lamp, and accessories and combine the respective codes for each.

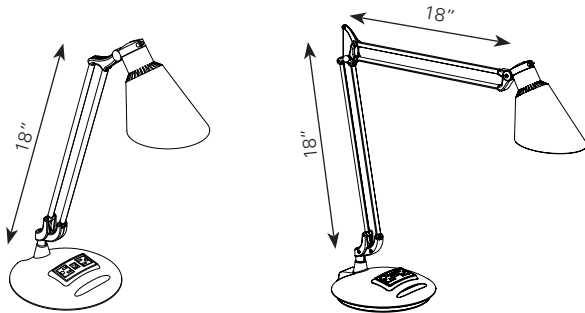
Diffrient Technology Light Product Code:

Style	Mount	Color	Lamp	Accessories
1	2	3	4	5
_____	_____	_____	_____	_____

1 Style

DIFFRIENT TECHNOLOGY LIGHT (DTECH SERIES)

E26 socket compatible with screw-in bulbs up to 60W

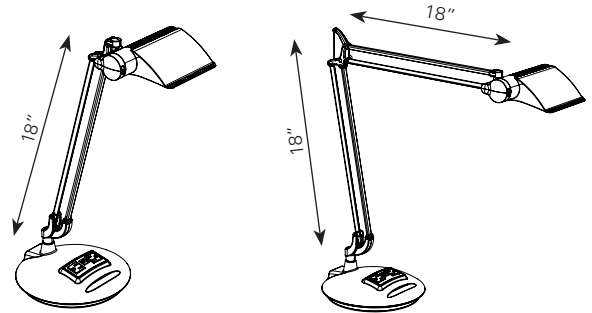


DTECH1E \$429
Single Arm with Work Shade

DTECH2E \$459
Double Arm with Work Shade

DIFFRIENT TECHNOLOGY LIGHT (DTECHT SERIES)

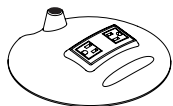
By special order, consult your Humanscale rep.
Compatible with GU24 2-pin compact fluorescent bulbs.



DTECHT1E \$429
Single Arm with Task Shade

DTECHT2E \$459
Double Arm with Task Shade

2 Base Features



P N/C
2 Outlets



T Add \$20
2 Outlets with CAT5/6 Data Port

3 Color

S
Silver

B
Black

4 Lamp

DIFFRIENT TECHNOLOGY LIGHT (DTECH SERIES)

1	18W, 3500K, E26 socket (standard)	N/C
2	23W, 3500K	N/C
3	13W, 3500K	N/C
4	9W, 3500K	N/C
6	18W, 2700K	N/C
7	18W, 5500K, Full Spectrum	Add \$20
0	No Bulb	Less \$5

DIFFRIENT TECHNOLOGY LIGHT (DTECHT SERIES)

A	18W, 3500K, GU24 base (standard)	N/C
C	13W, 3500K	N/C
D	9W, 3500K	N/C
E	18W, 2700K	N/C

5 Accessories

For Base "T" ONLY

—	No accessories	N/C
C3	3' CAT5 User Internet Cord (red)	Add \$5
C10	10' CAT5 Supply Internet Cord (black)	Add \$10
CB	Both 3' User Internet Cord and 10' Supply Internet Cord	Add \$15

Diffrient Light Replacement Parts

(if purchased separately)

TASK and Work LIGHT Accessories (DT & DW Series)

Electronic Ballast	DLBALE (gray)	\$126
Magnetic Ballast	DLBALM (black) <i>No longer available</i>	
Lamp 26W, 3500K, 4-Pin Base	DLBULB	\$22

Diffrient Light Replacement Parts, cont.

(if purchased separately)

TASK LIGHT II AND WORK LIGHT II MOUNTS (DA & DX SERIES)

Diffrient Desktop Base	DLBS (silver), DLBB (black)	\$125
Access Rail	DLAS (silver), DLAB (black)	\$35
Clamp <i>For grommet or edge mount</i>	DLCS (silver), DLCB (black)	\$35
2-Piece Clamp <i>For edge mount</i>	DLKS (silver), DLKB (black)	\$50
2-Piece Clamp with Theft Deterrent	ELTS (silver), ELTB (black)	\$75
Direct	DLDS (silver), DLDB (black)	\$35
Direct with Theft Deterrent	ELRS (silver), ELRB (black)	\$60
Universal Slatwall	DLSS (silver), DLSB (black)	\$35
Wall	DLWS (silver), DLWB (black)	\$35
Universal Panel Mount	DLUS (silver), DLUB (black)	\$60
Panel Mount	DL 1 1 2	\$60
	(1): Panel System Code, (2): Color (B or S)	
Grommet Cover	DLGC (black)	\$10
<i>For use with Clamp Mount C</i>		

WORK LIGHT II AND TECHNOLOGY LIGHT ACCESSORIES (DX & DTECH SERIES)

Lamp 18W, 3500K, screw-in base	DLCFL1	\$8
Lamp 23W, 3500K, screw-in base	DLCFL2	\$8
Lamp 13W, 3500K, screw-in base	DLCFL3	\$8
Lamp 9W, 3500K, screw-in base	DLCFL4	\$8
Lamp 18W, 2700K, screw-in base	DLCFL6	\$8
Lamp 18W, 5500K, Full spectrum	DLCFL7	\$30

TASK LIGHT II AND TECHNOLOGY LIGHT ACCESSORIES (DA SERIES & DTECHT SERIES)

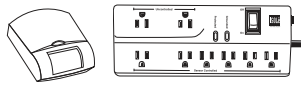
Lamp 18W, 3500K, GU24 base	DLSLIMA	\$8
Lamp 13W, 3500K, GU24 base	DLSLIMC	\$8
Lamp 9W, 3500K, GU24 base	DLSLIMD	\$8
Lamp 18W, 2700K, GU24 base	DLSLIME	\$8

TECHNOLOGY LIGHT ACCESSORIES (DTECH & DTECHT SERIES)

3' CAT5 User Internet Cord	CAT5CORD3	\$5
10' CAT5 Supply Internet Cord	CAT5CORD10	\$0

Lighting Accessories

Occupancy Sensor Power Strip



OCCSTRIP

\$240

**8-outlet power strip with energy-saving
personal occupancy sensor**

Benefits of Energy-Efficient Task Lighting

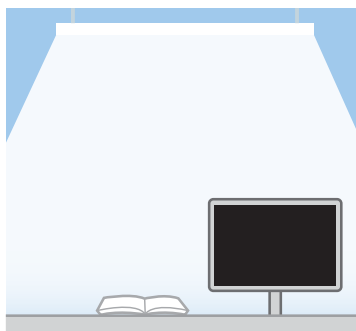
Improve Comfort

Different tasks and different users can require significantly different levels of light, and therefore can't be accommodated by single-source overhead lighting schemes.

Task lighting is essential for ergonomic comfort by supplying the right amount of adjustable illumination for each user and task while reducing eyestrain, headaches, monitor glare, and other symptoms caused by poor office lighting.

Save Energy

When task lights are implemented at each workstation in an office, ambient lighting levels can be reduced. And when lower levels of overhead lighting are combined with energy-efficient task lights, the cost-savings can be significant.



SINGLE Source
Bright Ambient Lighting



DUAL Source
Low Ambient Lighting
with Task Lighting



ZÖN Air Purifier

ZÖN Personal Air Purifier

Pricing Chart



Code	Description	Price
Standard Configuration		
<i>Includes 1 Particulate and 2 VOC filters (6-month supply)</i>		
HZABBS	Black ZÖN Personal Air Purifier, Base Mount	\$339
HZABRS	Red (Metallic) ZÖN Personal Air Purifier, Base Mount	\$339
HZABWS	White ZÖN Personal Air Purifier, Base Mount	\$339
Multipack Value Configuration		
<i>Includes 2 Particulate and 4 VOC filters (12-month supply)</i>		
HZABBM	Black ZÖN Personal Air Purifier, Base Mount	\$419
HZABRM	Red (Metallic) ZÖN Personal Air Purifier, Base Mount	\$419
HZABWM	White ZÖN Personal Air Purifier, Base Mount	\$419

Replacement Filters

(if purchased separately)

Code	Description	Price
HZP1	Particulate Filter	\$60
HZV2	Double Pack VOC Filters	\$45
HZPAK	Value Pack (2 Particulate, 4 VOC) 12-month supply	\$150

Accessories

Code	Description	Price
HZCORDNA	ZÖN Power Supply, North America Cord	\$15
HZPREFILTER	ZÖN Personal Prefilter	\$10

ZÖN Efficacy

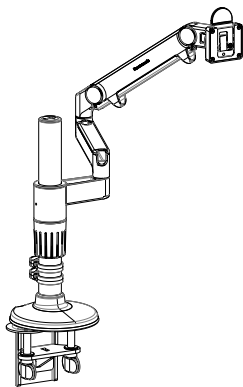
Boasting breeze-free and ozone-free operation, the ZÖN Personal Air Purifier silently and unobtrusively filters out more than 99% of airborne contaminants of all sizes—including dust, smoke, germs, allergens, smog, viruses, and even volatile organic compounds like formaldehyde—for the freshest air possible.





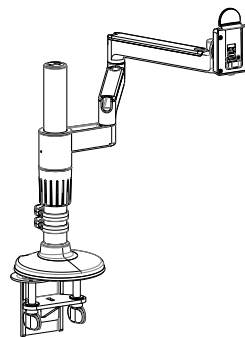
Monitor Arms

M/Flex Common Configurations



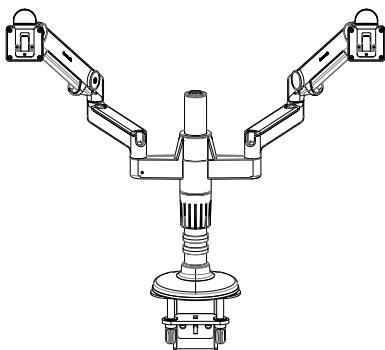
MF2AX* \$405

12" Post, Clamp Mount, Adjustable Bracket
for One Monitor, (1) #2 Style Arm
(Straight/Dynamic)



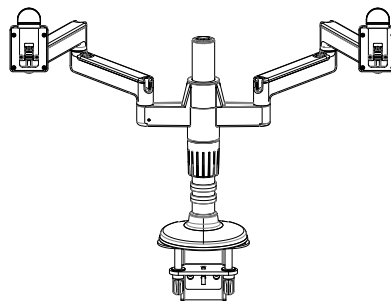
MF2BX* \$315

12" Post, Clamp Mount, Adjustable Bracket
for One Monitor, (1) #3 Style Arm
(Straight/Straight)



MF2CX* \$680

12" Post, Clamp Mount, (2) Adjustable
Brackets for Two Monitors (2) #2 Style Arms
(Straight/Dynamic)

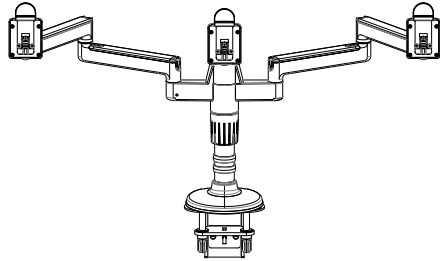


MF2DX* \$500

12" Post, Clamp Mount, (2) Adjustable
Brackets for Two Monitors (2) #3 Style Arms
(Straight/Straight)

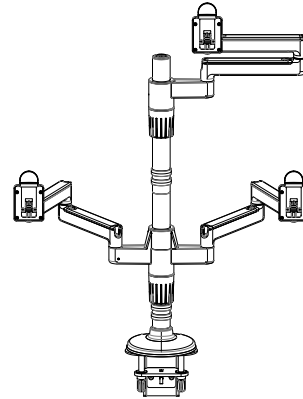
*X Denotes color. Replace with S for silver/gray trim, W for polished aluminum/white trim or B for black/black trim

M/Flex Common Configurations (continued)



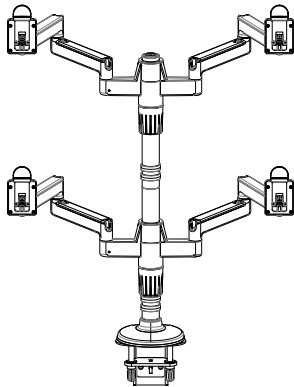
MF2EX* \$590

12" Post, Clamp Mount, (3) Adjustable Brackets for Three Monitors (2) #3 Style Arms (Straight/Straight) and Ball Joint Turret



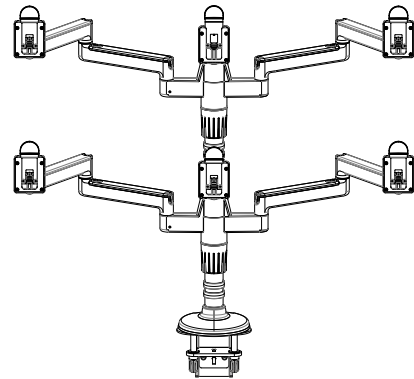
MF2FX* \$725

24" Post, Clamp Mount, 2-Row High Adjustable Brackets for 1 Over 2 Configuration, (3) #3 Style Arms (Straight/Straight)



MF2GX* \$910

24" Post, Clamp Mount, 2-Row High Adjustable Brackets for 2 Over 2 Configuration, (4) #3 Style Arms (Straight/Straight)



MF2HX* \$1090

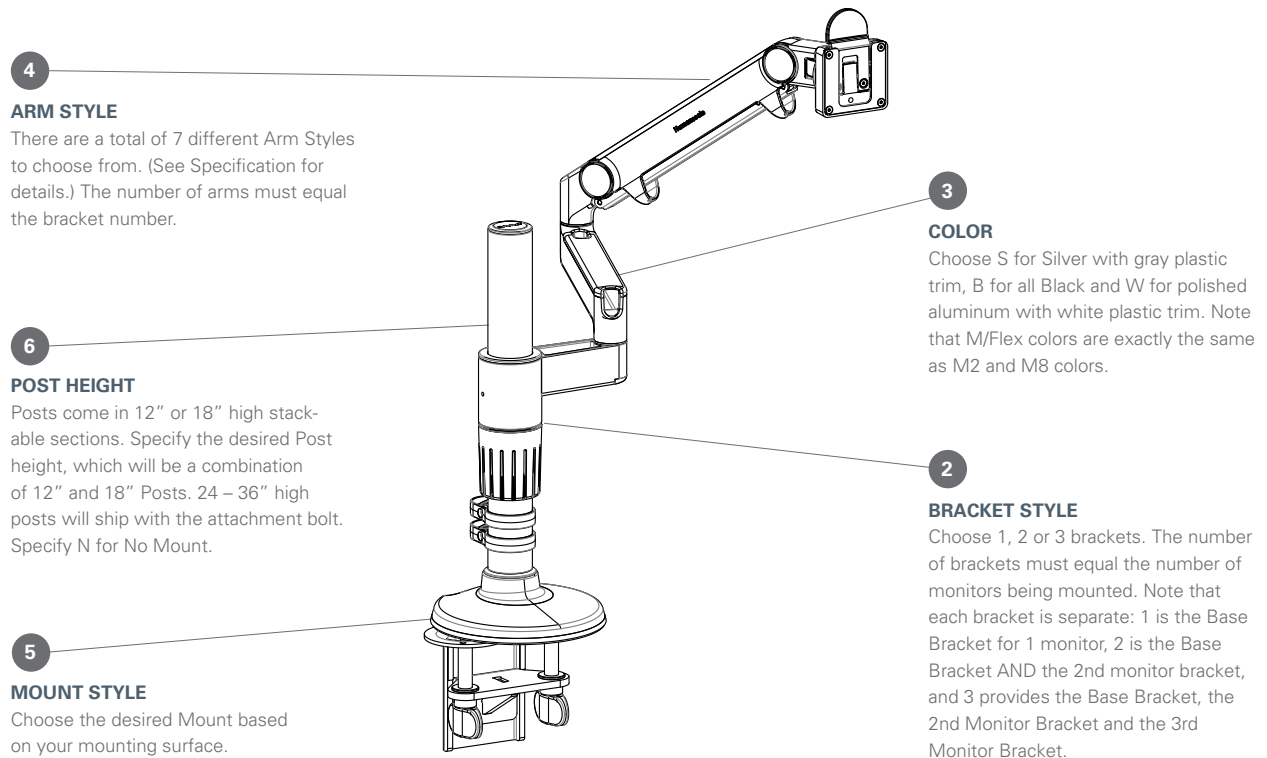
24" Post, Clamp Mount, 2-Row High Adjustable Brackets for 3 Over 3 Configuration, (4) #3 Style Arms (Straight/Straight), 2 Ball Joint Turrets

*X Denotes color. Replace with S for silver/gray trim, W for polished aluminum/white trim or B for black/black trim

Build Your M/Flex Product Code

To determine the list price for your monitor arm solution, identify your choice for each component and build the product code as shown below. Add the prices for all the options selected.

PRODUCT "MF2" OR "MF8"	BRACKET STYLE	COLOR	ARM STYLE (4b and 4c, if applicable)	MOUNT	POST HEIGHT	VESA PLATE	POST STOP	INDIVIDUAL PACKAGING
1	2	3	4 4b 4c	5	6	7	8	9



*For M2/M8 Accessories please refer to page 65 in the price guide.

M/Flex Component Pricing Chart

COMPONENT	CODE	DESCRIPTION	LIST PRICE	
1 PRODUCT GROUP	MF2 MF8	M/Flex for M2 Arms M/Flex for M8 Arms	M2	M8
2 BRACKET <i>Specify # of Brackets</i> <i>Equals # of Monitors</i>	1 2 3	Base Bracket for 1 Monitor Brackets for 2 Monitors Brackets for 3 Monitors	\$50 100 140	\$70 140 N/A
3 COLOR	S B W	Silver with Gray Trim Black with Black Trim Polished Aluminum with White Trim	0 0 0	0 0 0
4 ARM CONFIGURATION <i># of Arms must equal</i> <i>the # of Brackets</i> <i>For multiple, specify</i> <i>from left to right</i>	0 1 2 3 4 5 6 7 X	Ball Joint Turret Fixed Angled Link/Dynamic Link Straight Link/Dynamic Link Straight Link/Straight Link Fixed Angled Link/Straight Link Single Dynamic Link Only Single Straight Link Only Single Fixed Angled Link Only No Arm	50 225 225 135 145 180 70 70 0	55 380 380 190 220 240 135 135 0
5 MOUNT	C B S H P N D F	Clamp Mount Bolt-Thru Mount Universal Slatwall Mount Hardwall Mount c:scape Mount No Mount Dual Mount - Clamp + Bolt-Through Mount Frame One Mount	90 50 N/A N/A 100 0 115 110	90 50 N/A N/A 110 0 115 110
6 POST HEIGHT	12 18 24 30 36 N	12" High Post 18" High Post 24" High Post (Two 12" High Stackable Posts) 30" High Post (12" and 18" High Stackable Posts) 36" High Post (Two 18" High Stackable Posts) No Post	40 70 80 110 140 0	40 70 80 110 140 0
7 VESA PLATE	- 1 2 3 N	Standard 100mm x 100mm (also used for 75mm x 75mm) 100mm x 200mm 200mm x 200mm 200mm x 400mm Notebook Holder	0 21 32 52 150	0 21 32 52 150
8 POST STOP	P	Only Available on double or triple configurations	40	40
9 INDIVIDUAL PACKAGING	- IND	Standard bulk packaging for orders of 3 or more Individual packaging for all units in an order	0 11**	0 11**

* When specifying 2-row high posts, the upper arm must be configured as a separate line item; should have no mount and no post. Example: MF22S33NN, M/Flex for M2, 2 Brackets, silver, Straight/Straight on left, Straight/Straight on right, No Mount, No Post.

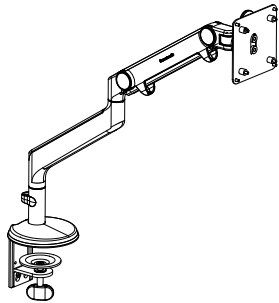
** List price per unit

M/Flex Add-On Component Pricing Chart

COMPONENT	CODE	DESCRIPTION	LIST PRICE	
			M2	M8
1 PRODUCT GROUP	AD2 AD8	M/Flex Add-Ons for M2 Arms M/Flex Add-Ons for M8 Arms		
2 BRACKET	2	Bracket for 2nd Monitor	\$50	\$70
	3	Bracket for 3rd Monitor	40	N/A
3 COLOR	S	Silver with Gray Trim	0	0
	B	Black with Black Trim	0	0
	W	Polished Aluminum with WhiteTrim	0	0
4 ARM CONFIGURATION <i># of Arms must equal the # of Brackets</i> <i>For multiple arms, specify from left to right</i>	0	Ball Joint Turret	50	55
	1	Fixed Angled Link/Dynamic Link	225	380
	2	Straight Link/Dynamic Link	225	380
	3	Straight Link/Straight Link	135	190
	4	Fixed Angled Link/Straight Link	145	220
	5	Single Dynamic Link Only	180	240
	6	Single Straight Link Only	70	135
7	Single Fixed Angled Link Only	70	135	
5 MOUNT	N	No Mount	0	0
6 POST HEIGHT	N	No Post	0	0

*When adding a 2nd monitor to a single Base Bracket or 3rd monitor to 2 brackets, use prefix AD2 and specify each bracket/arm style separately.

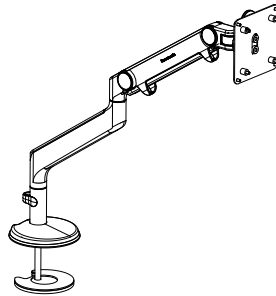
M2/ M8 Common Configurations



M2CX*

\$310

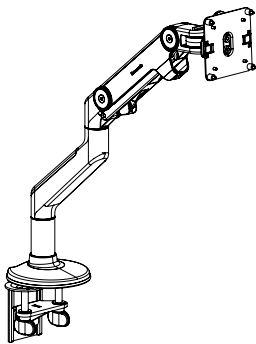
M2 with Clamp Mount



M2BX*

\$310

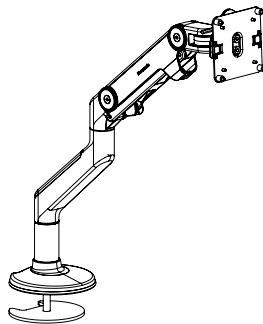
M2 with Bolt-Through Mount



M8CX*

\$485

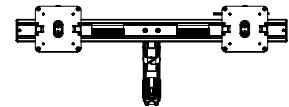
M8 with Clamp Mount



M8BX*

\$485

M8 with Bolt-Through Mount



M8CX-C*

\$620

M8 with Clamp Mount and Crossbar

M8BX-C*

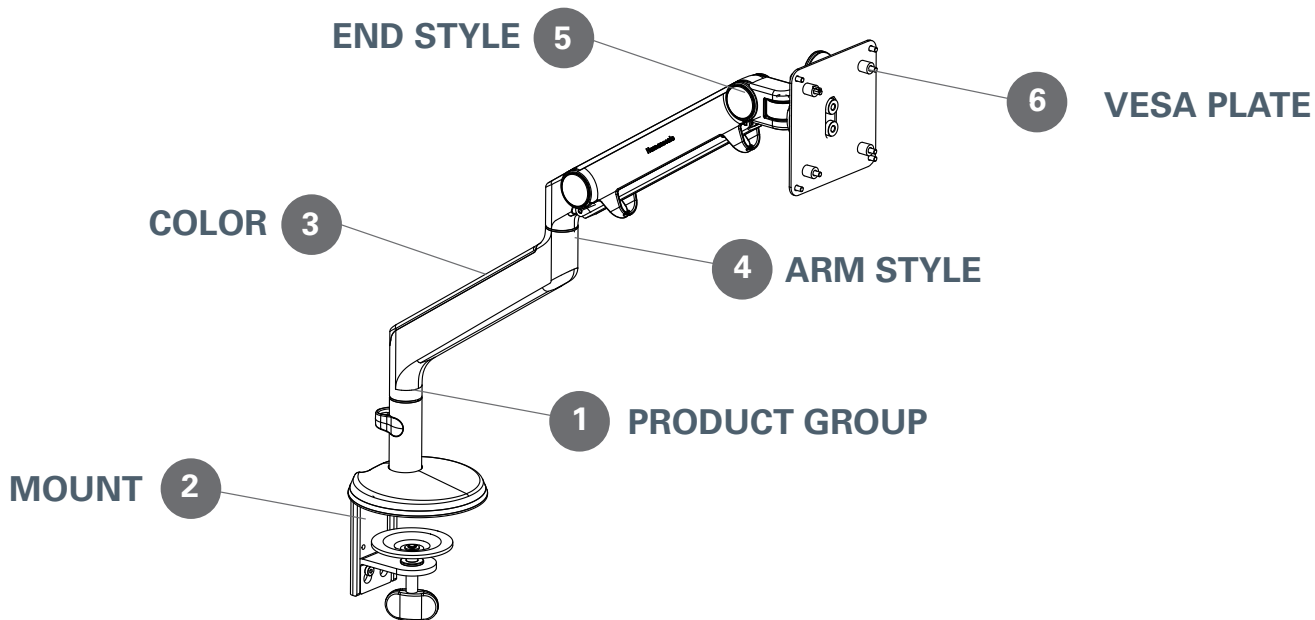
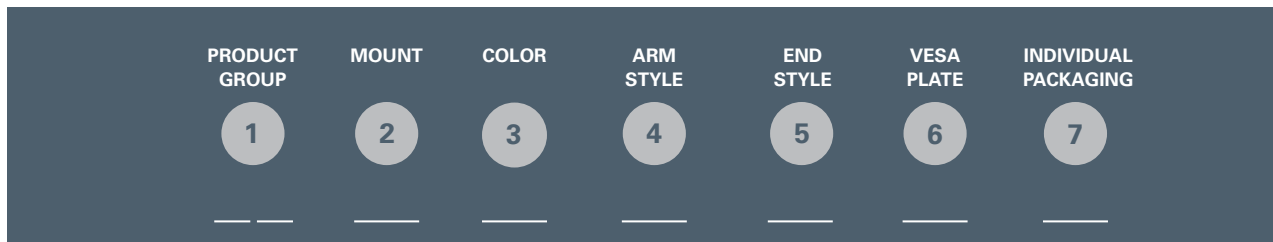
\$620

M8 with Bolt-Through Mount and Crossbar

*X denotes color. Substitute S for Silver with Gray trim, W for Polished Aluminum with White trim or B for all Black

Build Your M2/M8 Product Code

To determine the list price for your monitor arm solution, identify your choice for each component and build the product code as shown below. Add the prices for all the options selected.



M2/M8 Component Pricing Chart

COMPONENT	CODE	DESCRIPTION	LIST PRICE	
			M2	M8***
1 PRODUCT GROUP	M2	M2 Monitor Arm ¹		
	M8***	M8 Monitor Arm ²		
2 MOUNT <i>Note: M2 and M8 mounts are not interchangeable</i>	N	No Mount	\$0	\$0
	C	Two-Piece Clamp Mount with Base	85	105
	B	Bolt-Through Mount with Base	85	105
	S	Universal Slatwall Mount	85	105
	H	Direct Hardwall Mount	85	105
	D	Dual Mount – Clamp & Bolt-Through Mount	110	130
	F	Frame One Mount	100	110
3 COLOR	S	Silver with Gray Trim	0	0
	W	Polished Aluminum with White Trim	0	0
	B	Black with Black Trim	0	0
4 ARM STYLE	0	Ball Joint Only	–	55
	1	Fixed Angled Link/Dynamic Link	225	380
	2	Fixed Straight Link/Dynamic Link	225	380
	3	Fixed Straight Link/Fixed Straight Link	135	190
	4	Fixed Angled Link/Fixed Straight Link	–	220
	5	Dynamic Link Only	–	240
	6	Straight Link Only	–	135
7	Fixed Angle Link Only	–	135	
5 END STYLE	S	Standard Ball Joint only	0	0
	C	Crossbar for 2 monitors	–	135
6 VESA PLATE	–	Standard 100mm x 100mm (also used for 75mm x 75mm)	0	0
	1	100mm x 200mm	21	21*
	2	200mm x 200mm	32	32*
	3	200mm x 400mm	52	52*
	N	Notebook Holder	150	150
7 INDIVIDUAL PACKAGING	–	Standard bulk packaging for orders of 3 or more units	0	0
	IND	Individual Packaging for all units in an order	11 **	11 **

1 Supports one monitor up to 20 lbs.

2 Supports one or two monitors up to a total of 42 lbs.

* If ordered with Crossbar, multiply price by two as two VESA Plates will ship with order

** List price per unit

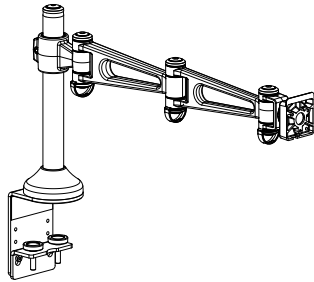
*** Available Q3 2013

M2/M8 Accessories Pricing Chart

COMPONENT	CODE	DESCRIPTION	LIST PRICE
Front-End Adjuster	UFEA-S-M8 ²	Universal Front-End Adjuster for M2 and M8 - Silver	\$130
Mounts¹	M2CM-X	M2 Clamp Mount with Base	85
	M8CM-X	M8 Clamp Mount with Base	105
	M2BT-X	M2 Bolt-Through Mount with Base	85
	M8BT-X	M8 Bolt-Through Mount with Base	105
	M2SM-X	M2 Universal Slatwall Mount	85
	M8SM-X	M8 Universal Slatwall Mount	105
	M2HW-X	M2 Direct Hardwall Mount	85
	M8HW-X	M8 Direct Hardwall Mount	105
	MFP-S	MFlex C:Scape Mount, Silver	100
	MFP-W	MFlex C:Scape Mount, White	100
	MFP-B	MFlex C:Scape Mount, Black	100
	MFF-S	MFlex Frame One Mount, Silver	110
	MFF-B	MFlex Frame One Mount, Black	110
	MFF-W	MFlex Frame One Mount, White	110
	M2P-S	M2 C:Scape Mount, Silver	100
	M2P-W	M2 C:Scape Mount, White	100
	M2P-B	M2 C:Scape Mount, Black	100
	M2F-S	M2 Frame One Mount, Silver	100
	M2F-B	M2 Frame One Mount, Black	100
	M2F-W	M2 Frame One Mount, White	100
	M8P-S	M8 C:Scape Mount, Silver	110
	M8P-W	M8 C:Scape Mount, White	110
	M8P-B	M8 C:Scape Mount, Black	110
	M8F-S	M8 Frame One Mount, Silver	110
	M8F-B	M8 Frame One Mount, Black	110
	M8F-W	M8 Frame One Mount, White	110
M8 Conversion Kits¹	M8CB-X	Crossbar Conversion Kit, converts single M8 to M8 with Crossbar	210
	M8BJ-X	Ball Joint Conversion Kit, converts M8 with Crossbar to single M8	65
M8 Handle	M8HA-X	M8 Handle	80
VESA Plates	M2DVP	Drop-Down VESA Plate for M2 or M8	21
<i>For M2 and M8</i>	VM28-11	Standard 100mm x 100mm (also used for 75mm x 75mm), with hardware	21
	VM28-12	100mm x 200mm, with hardware	32
	VM28-22	200mm x 200mm, with hardware	42
	VM28-24	200mm x 400mm, with hardware	62
Notebook Holder	M2NHS	Notebook Holder in bracket for M2 and M8 - Silver	150
	M2NHW	Notebook Holder in bracket for M2 and M8 - White with Polished Aluminum	150

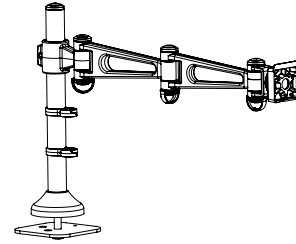
¹X denotes color. Substitute S for Silver with Gray trim, W for Polished Aluminum with White trim or B for all Black

M7/ M4 Common Configurations



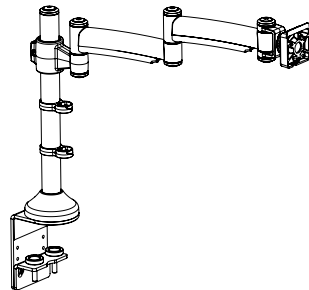
M7C \$365
M7S-C *Silver*
M7B-C *Black*

B1 Bracket-Mounted Arm, Two M7 Standard 8" Links, Two-Piece Low-Profile Clamp Mount with Slim Post. Accommodates one monitor up to 30 pounds.



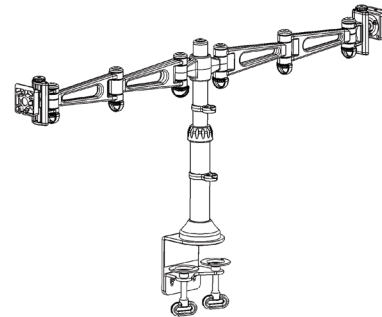
M7L \$340
M7S-L *Silver*
M7B-L *Black*

B1 Bracket-Mounted Arm, Two M7 Standard 8" Links, Bolt-Through Mount with Slim Post. Accommodates one monitor up to 30 pounds.



M7M \$375
M7S-M *Silver*
M7B-M *Black*

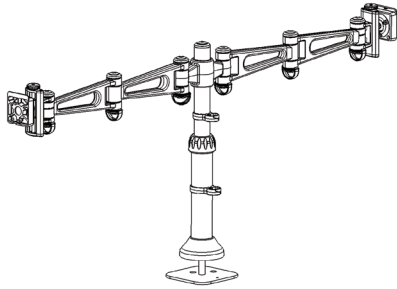
B1 Bracket-Mounted Arm, Two M7 8" Folding Links, Two-Piece Low-Profile Clamp Mount with Slim Post. Accommodates one monitor up to 30 pounds



M7R \$585
M7S-R *Silver*
M7B-R *Black*

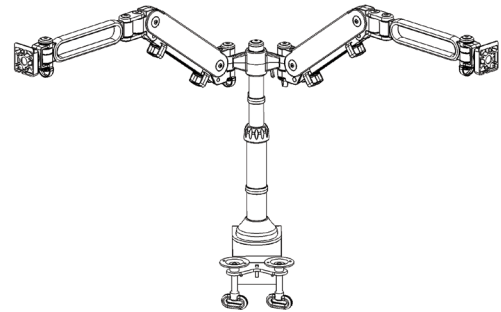
B2 Bracket-Mounted Arms, Two M7 Standard 8" Links for each arm, Two-Piece Heavy Duty Clamp Mount, Non-Adjustable Standard Post. Accommodates two monitors up to 30 pounds each.

M7/M4 Common Configurations (continued)



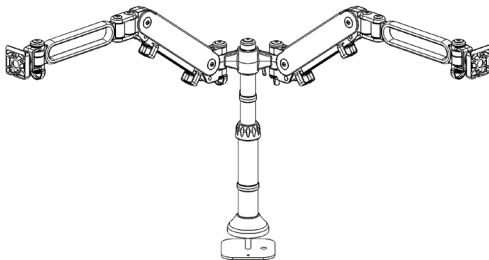
M7S \$530
M7S-S *Silver*
M7B-S *Black*

B2 Bracket-Mounted Arms, Two M7 Standard 8" Links for each arm, Bolt-Through Mount with Non-Adjustable Standard Post. Accommodates two monitors up to 30 pounds each.



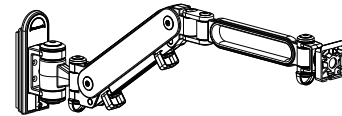
M4T \$945
M4S-T *Silver*
M4B-T *Black*

B2 Bracket Mounted Arms, Two M4 Adjustable Double-Link Arms, Two-Piece Heavy-Duty Clamp Mount with Non-Adjustable Standard Post. Accommodates two monitors, 5 – 20 pounds each.



M4U \$890
M4S-U *Silver*
M4B-U *Black*

B2 Bracket-Mounted Arms, Two M4 Adjustable Double-Link Arms, Bolt-Through Mount with Non-Adjustable Standard Post. Accommodates two monitors, 5 – 20 pounds each.

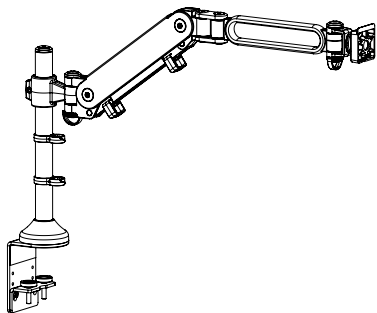


M4V \$490
M4S-V-PP* *Silver*
M4B-V-PP* *Black*

N1 No-Post Arm Bracket, M4 Adjustable Double-Link Arm, Panel Mount. Accommodates one monitor, 5 – 20 pounds.

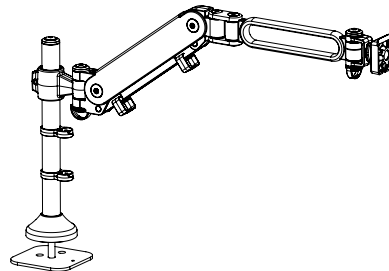
*Replace "PP" with model-specific systems furniture panel mount; see page 71.

M7/M4 Common Configurations (continued)



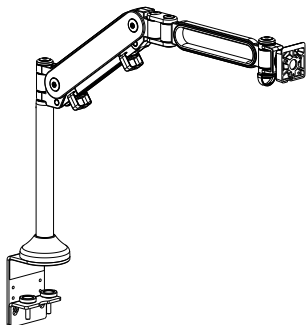
M4W \$545
M4S-W *Silver*
M4B-W *Black*

B1 Bracket-Mounted Arm, M4 Adjustable Double-Link Arm, Two-Piece Low-Profile Clamp Mount with Slim Post. Accommodates one monitor, 5 – 20 pounds.



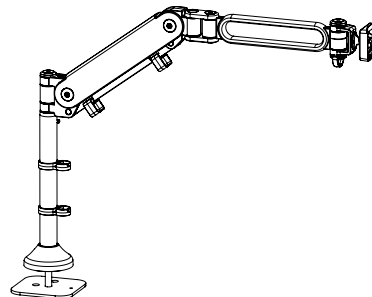
M4X \$520
M4S-X *Silver*
M4B-X *Black*

B1 Bracket-Mounted Arm, M4 Adjustable Double-Link Arm, Bolt-Through Mount with Slim Post. Accommodates one monitor, 5 – 20 pounds.



M4Y \$525
M4S-Y *Silver*
M4B-Y *Black*

Top-Mounted Arm Bracket, M4 Adjustable Double-Link Arm, Two-Piece Low-Profile Clamp Mount with Slim Post. Accommodates one monitor, 5 – 20 pounds.



M4Z \$500
M4S-Z *Silver*
M4B-Z *Black*

Top-Mounted Arm Bracket, M4 Adjustable Double-Link Arm, Bolt-Through Mount with Slim Post. Accommodates one monitor, 5 – 20 pounds.

Build Your M7/M4 Product Code

To determine the list price for your monitor arm solution, identify your choice for each component and build the product code as shown below. Add the prices for all the options selected.

PRODUCT	BRACKET STYLE	COLOR	ARM STYLE <i>(3b and 3c, if applicable)</i>	MOUNT	POST STYLE	ADD-ONS <i>(if applicable)</i>
"M7" or "M4"	1	2	3 3b 3c	4	5	6

1 BRACKET STYLE
Choose the appropriate Bracket based on number of monitors and Bracket Style. There are two characters in the product code for Bracket Style.

2 COLOR

3 ARM STYLE
Choose the desired arm style (M7 shown). There is one character in the product code for Arm Style. To order a monitor arm for one monitor, only one character (component #3) is required. To order an arm for two monitors (as with N2 or B2 Brackets), use #3 and #3b to specify the left Arm Style, then the right Arm Style (in that order). To order an arm for three monitors (B3 Brackets), use #3 and #3b and #3c to specify the left Arm Style, the middle Arm Style, and the right Arm Style (in that order).








5 POST STYLE
Choose the desired Post, if applicable. There are two characters in the product code for Posts.

4 MOUNT STYLE
Choose the desired Mount based on your mounting surface. There are two characters in the product code for Mounts.

6 ADD-ONS
Enhance the function of your monitor arm with optional Add-Ons. Simply include the applicable codes for the desired Add-On. For example, for the Quick Release Add-On only, add a QR to the end of the product code. For a Quick Release and a Post Stop, the product code would end in QRPS.

ACCESSORIES
Monitor Arm Accessories are ordered separately from the monitor arm itself. Product codes for Accessories, detailed on page 76, are not included in your monitor arm product code.

M7 Component Pricing Chart

COMPONENT	CODE	DESCRIPTION	NO POST BRACKETS		TOP-MOUNT BRACKET		POST WITH BRACKET MOUNT		
			1 Monitor	2 Monitors	1 Monitor	2 Monitors	1 Monitor	2 Monitors	3 Monitors
1 BRACKET STYLE									
			N1	N2	T1	T2	B1	B2	B3
		Base Price:	\$ 60	\$ 70	\$ 40	\$ 70	\$ 60	\$ 70	\$ 80
2 COLOR	B	Black	0	0	0	0	0	0	0
	S	Silver	0	0	0	0	0	0	0
	A	Polished Aluminum ¹	0	0	0	0	0	0	0
3 ARM STYLE	0	Ball Joint Only	55	55	55	55	55	55	55
	1	One Standard 8" Link	120	120	120	120	120	120	120
	2	Two Standard 8" Links	160	160	160	160	160	160	160
	3	One Standard 12" Long Link	140	140	140	140	140	140	140
	4	Two Standard 12" Long Links	185	185	185	185	185	185	185
	5	One 12" Long Link/One 8" Standard Link	175	175	175	175	175	175	175
	8	One 8" Folding Link	125	125	125	125	125	125	125
	9	Two 8" Folding Links	170	170	170	170	170	170	170
3b ARM STYLE	0	Ball Joint Only	–	55	–	55	–	55	55
<i>If necessary.</i>	1	One Standard 8" Link	–	120	–	120	–	120	120
<i>Use with N2.</i>	2	Two Standard 8" Links	–	160	–	160	–	160	160
<i>B2 or B3 only.</i>	3	One Standard 12" Long Link	–	140	–	140	–	140	140
	4	Two Standard 12" Long Links	–	185	–	185	–	185	185
	5	One 12" Long Link/One 8" Standard Link	–	175	–	175	–	175	175
	8	One 8" Folding Link	–	125	–	125	–	125	125
	9	Two 8" Folding Links	–	170	–	170	–	170	170
3c ARM STYLE	0	Ball Joint Only	–	–	–	–	–	–	–
<i>If necessary.</i>	1	One Standard 8" Link	–	–	–	–	–	–	120
<i>Use with B3 only.</i>	2	Two Standard 8" Links	–	–	–	–	–	–	160
	3	One Standard 12" Long Link	–	–	–	–	–	–	140
	4	Two Standard 12" Long Links	–	–	–	–	–	–	185
	5	One 12" Long Link/One 8" Standard Link	–	–	–	–	–	–	175
	8	One 8" Folding Link	–	–	–	–	–	–	125
	9	Two 8" Folding Links	–	–	–	–	–	–	170
4 MOUNT STYLE²	NM	No Mount, except as noted with Stackable Posts below	–	–	0	0	0	0	0
	XV	No Mount, with Stackable Post for Vertical Surface	–	–	0	0	0	0	0
	XH	No Mount, with Stackable Post for Horizontal Surface	–	–	0	0	0	0	0
<i>Horizontal Surfaces</i>	BT	Bolt-Through Mount	–	–	45	45	45	45	45
	CM	Two-Piece Heavy-Duty Clamp Mount	–	–	100	100	100	100	100
	LC	Two-Piece Low Profile Clamp Mount	–	–	70	70	70	70	70
	DM	Direct Mount	–	–	45	45	45	45	45

M7 Component Pricing Chart (Continued)

COMPONENT	CODE	DESCRIPTION	NO POST BRACKETS		TOP-MOUNT BRACKET		POST WITH BRACKET MOUNT		
			1 Monitor	2 Monitors	1 Monitor	2 Monitors	1 Monitor	2 Monitors	3 Monitors
Wall Stud	WD	Standard Wall Stud Mount, Supports Multiple Monitors	\$85	\$ 85	\$ 85	\$ 85	\$ 85	\$ 85	\$ 85
	WU	Universal Wall Stud Mount, Single Monitors Only	85	—	—	—	—	—	—
	WK	Knuckle Wall Stud Mount	45	—	—	—	—	—	—
Standard Slatwall³	SD	Dates Weiser Slatwall	85	85	85	85	85	85	85
	SW	EDP Contour Slatwall	85	85	85	85	85	85	85
	SS	EDP Slatwall	85	85	85	85	85	85	85
	SR	Eurocraft Slatwall	85	85	85	85	85	85	85
	SN	Evans Consoles	85	85	85	85	85	85	85
	SW	Forecast Slatwall	85	85	85	85	85	85	85
	SE	Herman Miller Slatwall	85	85	85	85	85	85	85
	SU	Humanscale Access Rail	85	85	85	85	85	85	85
	SI	Innovant (CBA) Slatwall	85	85	85	85	85	85	85
	SU	Kimball Slatwall	85	85	85	85	85	85	85
	SX	LaCour Extrusion (Beam)	85	85	85	85	85	85	85
	SC	LaCour Standard Slatwall	85	85	85	85	85	85	85
	SL	Novalink Slatwall	85	85	85	85	85	85	85
	SS	SBFI Universal Slatwall	85	85	85	85	85	85	85
	SN	SBFI/Triax Slatwall	85	85	85	85	85	85	85
	SB	TBC Slatwall	85	85	85	85	85	85	85
	SB	Wall Street Trading	85	85	85	85	85	85	85
	SP	Perma Groove Slatwall	85	85	85	85	85	85	85
SN	Wilson Slatwall	85	85	85	85	85	85	85	
SW	Woodtronics Slatwall	85	85	85	85	85	85	85	
Universal Slatwall³	S2	Universal Slatwall, Supports Single Monitors Only: Dates Weiser, Eurocraft, Forecast, Haworth, Innovant (CBA), Knoll Currents, Knoll Extra, LaCour, SBFI/Triax, Steelcase Details, TBC, Teknion Leverage, Teknion Transit, Woodtronics, Wright Line	80	—	80	—	80	—	—
	S4	Universal Slatwall, Supports Single Monitors Only: Humanscale Access Rail, Kimball, Evans Console	80	—	80	—	80	—	—
	W1	Universal Slatwall w/Post	—	—	—	—	65	65	65
	FM	Universal Slatwall w/No Post	45	—	—	—	—	—	—
Panel Mounts	PC	Allsteel Concensys	90	90	90	90	90	90	90
	P2	Allsteel Terrace 2.6, 3.4	90	90	90	90	90	90	90
	PH	Haworth Places	90	90	90	90	90	90	90
	PM	Haworth Premise	90	90	90	90	90	90	90
	PH	Haworth Unigroup	90	90	90	90	90	90	90
	PA	Herman Miller Action Office	90	90	90	90	90	90	90
	PE	Herman Miller Ethospace	90	90	90	90	90	90	90
	PR	Herman Miller Resolve	90	90	90	90	90	90	90
	P9	Steelcase 9000	90	90	90	90	90	90	90
	P1	Teknion ie	90	90	90	90	90	90	90
	PL	Teknion Leverage	90	90	90	90	90	90	90
	PB	Teknion Boulevard	90	90	90	90	90	90	90

M7 Component Pricing Chart (Continued)

		NO POST BRACKETS		TOP-MOUNT BRACKET		POST WITH BRACKET MOUNT			
		1 Monitor	2 Monitors	1 Monitor	2 Monitors	1 Monitor	2 Monitors	3 Monitors	
5 POST STYLE	NP	No Post	\$ 0	\$ 0	\$ 0	\$ 0	\$ 0	\$ 0	
	1V	One-Row Stackable Post for Vertical Surfaces ⁴	–	–	–	–	65	65	65
	2V	Two-Row Stackable Post for Vertical Surfaces	–	–	–	–	120	120	120
	TV	Top Row Stackable Post for Vertical Surfaces	–	–	–	–	55	55	55
	1H	One-Row Stackable Post for Horizontal Surfaces	–	–	–	–	115	115	115
	2H	Two-Row Stackable Post for Horizontal Surfaces	–	–	–	–	175	175	175
	TH	Top Row Stackable Post for Horizontal Surfaces	–	–	–	–	55	55	55
	SL	Slim (non-adjustable) ⁴	–	–	75	75	75	75	–
	SP	Standard Post, Non-Adjustable	–	–	95	95	95	95	95
ADD-ONS									
6a QUICK RELEASE	–	Standard, No Quick Release	0	0	0	0	0	0	0
	QR	Quick Release	21	42	21	42	21	42	63
6b POST STOP	–	Standard, No Post Stop	0	0	0	0	0	0	0
	PS	Post Stop (180°)	–	–	21	63	32	63	–
6c CROSSBAR	–	Standard, No Crossbar	0	0	0	0	0	0	0
	C2	Crossbar For 2 Monitors ⁵	–	230	–	230	–	230	–
	C3	Crossbar For 3 Monitors ⁵	–	305	–	305	–	305	–
6d NOTEBOOK HOLDER	–	Standard, No Notebook Holder	0	0	0	0	0	0	0
	NH	Notebook Holder ⁶	120	120	120	120	120	120	120
6e KEYBOARD HOLDER	–	No Keyboard Holder	0	0	0	0	0	0	0
	KS	Keyboard Holder, Standard ⁷	290	–	–	–	290	–	–
	KW	Keyboard Holder, Wide ⁸	295	–	–	–	295	–	–
6f PHONE MOUNT	–	No Phone Mount	0	0	0	0	0	0	0
	PM	Phone Mount ⁹	27	27	27	27	27	27	27

¹ Polished Aluminum requires 8–10 weeks for delivery after receipt of order.

² Choose one mount from Horizontal Surfaces, Wall Stud Mounts, Slatwall Mounts (Standard or Universal) or Panel Mounts.

³ Standard Slatwall accommodates multiple monitors or a post. Universal Slatwall is for single monitors only.

⁴ Slim Posts only available for use with single arms or double arms with maximum monitor weight of 30 pounds.

⁵ Crossbar only available with a T2 and B2 Bracket and two M7 8" Folding Link Arms (Arm Style 9) or two M4 Adjustable Double Link Arms (Arm Style A).


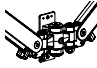




⁶ When ordering Notebook Holder with two-monitor configurations, a single Notebook Holder will be placed on the right arm.

⁷ Standard Keyboard Holder consists of 19" board with 8" round mousing surface and gel palm support for both; Humanscale #90011RG.

⁸ Wide Keyboard Holder consists of 25" keyboard/mousing board with gel palm support.

⁹ One Phone Mount provided. With double or triple arms the phone mount can be placed on any arm.

M4 Component Pricing Chart

COMPONENT	CODE	DESCRIPTION	NO POST BRACKETS		TOP-MOUNT BRACKET		POST WITH BRACKET MOUNT	
			1 Monitor	2 Monitors	1 Monitor	2 Monitors	1 Monitor	2 Monitors
1 BRACKET STYLE								
			N1	N2	T1	T2	B1	B2
		Base Price:	\$ 60	\$ 70	\$ 40	\$ 70	\$ 60	\$ 70
2 COLOR	B	Black	0	0	0	0	0	0
	S	Silver	0	0	0	0	0	0
3 ARM STYLE	A	Adjustable Double-Link Arm	340	340	340	340	340	340
	B	Adjustable Single-Link Arm	290	290	290	290	290	290
	D	Dampened Double-Link Arm	375	375	375	375	375	375
	E	Dampened Single-Link Arm	320	320	320	320	320	320
3b ARM STYLE <i>(If applicable)</i>	A	Adjustable Double-Link Arm	–	340	–	340	–	340
	B	Adjustable Single-Link Arm	–	290	–	290	–	290
	D	Dampened Double-Link Arm	–	375	–	375	–	375
	E	Dampened Single-Link Arm	–	320	–	320	–	320
4 MOUNT STYLE²	NM	No Mount	–	–	0	0	0	0
	BT	Bolt-Through Mount	–	–	45	45	45	45
<i>Horizontal Surfaces</i>	CM	Two-Piece Heavy-Duty Clamp Mount	–	–	100	100	100	100
	LC	Two-Piece Low Profile Clamp Mount	–	–	70	70	70	70
	DM	Direct Mount	–	–	45	45	45	45
<i>Wall Stud</i>	WD	Standard Wall Stud Mount, Supports Multiple Monitors	85	85	85	85	85	85
	WU	Universal Wall Stud Mount, Single Monitors Only	85	–	–	–	–	–
	WK	Knuckle Wall Stud Mount	45	–	–	–	–	–
<i>Standard Slatwall³</i>	SD	Dates Weiser Slatwall	85	85	85	85	85	85
	SW	EDP Contour Slatwall	85	85	85	85	85	85
	SS	EDP Slatwall	85	85	85	85	85	85
	SR	Eurocraft Slatwall	85	85	85	85	85	85
	SN	Evans Consoles	85	85	85	85	85	85
	SW	Forecast Slatwall	85	85	85	85	85	85
	SE	Herman Miller Slatwall	85	85	85	85	85	85
	SU	Humanscale Access Rail	85	85	85	85	85	85
	SI	Innovant (CBA) Slatwall	85	85	85	85	85	85
	SU	Kimball Slatwall	85	85	85	85	85	85
	SX	LaCour Extrusion (Beam)	85	85	85	85	85	85
	SC	LaCour Standard Slatwall	85	85	85	85	85	85
	SL	Novalink Slatwall	85	85	85	85	85	85
	SS	SBF1 Universal Slatwall	85	85	85	85	85	85
	SN	SBF1/Triax Slatwall	85	85	85	85	85	85
	SB	TBC Slatwall	85	85	85	85	85	85
	SB	Wall Street Trading	85	85	85	85	85	85
	SP	Perma Groove Slatwall	85	85	85	85	85	85

M4 Component Pricing Chart (Continued)

COMPONENT	CODE	DESCRIPTION	NO POST BRACKETS		TOP-MOUNT BRACKET		POST WITH BRACKET MOUNT	
			1 Monitor	2 Monitors	1 Monitor	2 Monitors	1 Monitor	2 Monitors
Universal Slatwall ²	SN	Wilson Slatwall	\$85	\$ 85	\$ 85	\$ 85	\$ 85	\$ 85
	SW	Woodtronics Slatwall	85	-	85	85	85	-
	S2	Universal Slatwall, Supports Single Monitors Only: Dates Weiser, Eurocraft, Forecast, Haworth, Innovant (CBA), Knoll Currents, Knoll Extra, LaCour, SBF/Triax, Steelcase Details,TBC, Teknion Leverage, Teknion Transit, Woodtronics, Wright Line	80	-	80	-	80	-
	S4	Universal Slatwall, Supports Single Monitors Only: Humanscale Access Rail, Kimball, Evans Console	80	-	80	-	80	-
	W1	Universal Slatwall w/Post	-	-	-	-	65	65
Panel Mounts	FM	Universal Slatwall w/No Post	45	-	-	-	-	-
	PC	Allsteel Concensys	90	90	90	90	90	90
	P2	Allsteel Terrace 2.6, 3.4	90	90	90	90	90	90
	PH	Haworth Places	90	90	90	90	90	90
	PM	Haworth Premise	90	90	90	90	90	90
	PH	Haworth Unigroup	90	90	90	90	90	90
	PA	Herman Miller Action Office	90	90	90	90	90	90
	PE	Herman Miller Ethospace	90	90	90	90	90	90
	PR	Herman Miller Resolve	90	90	90	90	90	90
	P9	Steelcase 9000	90	90	90	90	90	90
	PI	Teknion ie	90	90	90	90	90	90
	PL	Teknion Leverage	90	90	90	90	90	90
	PB	Teknion Boulevard	90	90	90	90	90	90
	5 POST STYLE	NP	No Post	0	0	0	0	0
1V		One-Row Stackable Post for Vertical Surfaces ⁴	-	-	-	-	65	65
2V		Two-Row Stackable Post for Vertical Surfaces	-	-	-	-	120	120
TV		Top Row Stackable Post for Vertical Surfaces	-	-	-	-	55	55
1H		One-Row Stackable Post for Horizontal Surfaces	-	-	-	-	115	115
2H		Two-Row Stackable Post for Horizontal Surfaces	-	-	-	-	175	175
TH		Top Row Stackable Post for Horizontal Surfaces	-	-	-	-	55	55
SL		Slim (non-adjustable) ⁴	-	-	75	75	75	75
SP		Standard Post, Non-Adjustable	-	-	95	95	95	95

M4 Component Pricing Chart (Continued)

COMPONENT	CODE	DESCRIPTION	NO POST BRACKETS		TOP-MOUNT BRACKET		POST WITH BRACKET MOUNT		
			1 Monitor	2 Monitors	1 Monitor	2 Monitors	1 Monitor	2 Monitors	
ADD-ONS									
6a	QUICK RELEASE	- QR	Standard, No Quick Release Quick Release	\$ 0 21	\$ 0 42	\$ 0 21	\$ 0 42	\$ 0 21	\$ 0 42
6b	POST STOP	- PS	Standard, No Post Stop Post Stop (180°)	0 -	0 -	0 21	0 63	0 32	0 63
6c	CROSSBAR	- C2 C3	Standard, no Crossbar Crossbar for 2 Monitors ⁵ Crossbar for 3 Monitors ⁵	0 - -	0 230 305	0 - -	0 230 305	0 - -	0 230 305
6d	NOTEBOOK HOLDER	- NH	Standard, No Notebook Holder Notebook Holder ⁶	0 120	0 120	0 120	0 120	0 120	0 120
6e	KEYBOARD HOLDER	- KS KW	No Keyboard Holder Keyboard Holder, Standard ⁷ Keyboard Holder, Wide ⁸	0 290 295	0 - -	0 290 295	0 - -	0 290 295	0 - -
6f	PHONE MOUNT	- PM	No Phone Mount Phone Mount ⁹	0 27	0 27	0 27	0 27	0 27	0 27

¹ Polished Aluminum not available with M4 Adjustable Monitor Arms.

² Choose one mount from Horizontal Surfaces, Wall Stud Mounts, Slatwall Mounts (Standard or Universal) or Panel Mounts.

³ Standard Slatwall accommodates multiple monitors or a post, Universal Slatwall is for single monitors only.

⁴ Slim Posts only available for use with single arms or double arms with maximum monitor weight of 30 pounds.

⁵ Crossbar only available with a T2 or B2 Bracket and two M7 8" Folding Link Arms (Arm Style 9) or two M4 Adjustable Double Link Arms (Arm Style A).

⁶ When ordering Notebook Holder with two-monitor configurations, a single Notebook Holder will be placed on the right arm.

⁷ Standard Keyboard Holder consists of 19" board with 8" round mousing surface and gel palm support for both. Humanscale #90011RG. Available with D and E arms only.

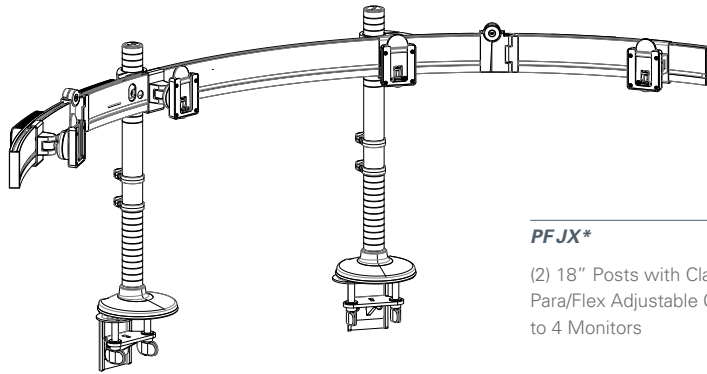
⁸ Wide Keyboard Holder consists of 25" keyboard/mousing board with gel palm support. Available with D and E arms only.

⁹ One Phone Mount provided. With double arms the phone mount can be placed on either arm.

M7 and M4 Accessories

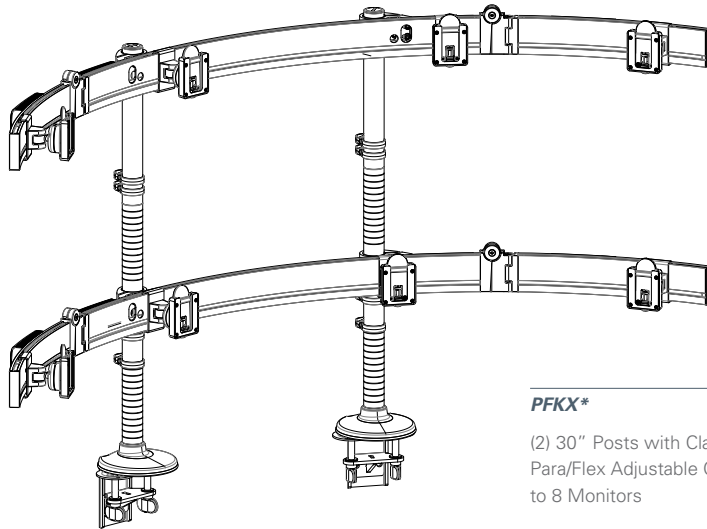
MODEL #	DESCRIPTION	LIST PRICE
UFEA-S	Universal Front-End Adjuster for M7, Silver only (supports up to 30 lbs.)	\$130
VBK	VESA Bracket Kit for M7 and M4 (Contains 75mm, 100mm Plates and Hardware)	21
SCK	Security Kit for M7 and M4 (Kensington Only, No Security Bolts Available)	45
DVP	Drop Down VESA Plate for M7 and M4	45
PST-B	180° Arm Stop, Top Mount, Black	21
PST-S	180° Arm Stop, Top Mount, Silver	21
PBS-B	180° Post Stop, Bracket Mount, Standard 8" Link, Black	32
PBL-B	180° Post Stop, Bracket Mount, Long 12" Link, Black	32
PBF-B	180° Post Stop, Bracket Mount, Folding Link, Black	32
M7PM	Phone Mount	30

Para/Flex 2 Common Configurations



PFJX* \$870

(2) 18" Posts with Clamp Mounts and (1)
Para/Flex Adjustable Crossbar for up
to 4 Monitors



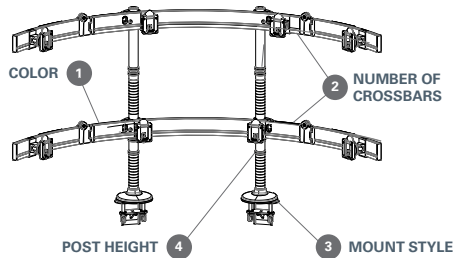
PFKX* \$1500

(2) 30" Posts with Clamp Mounts and (2)
Para/Flex Adjustable Crossbars for up
to 8 Monitors

*X Denotes color. Replace with S for silver/gray trim, W for polished aluminum/white trim or B for black/black trim

Build Your Para/Flex 2 Product Code

To determine the list price for your Para/Flex 2 solution, identify your choice for each component and build the product code as shown below. Add the prices for all the options selected.



PRODUCT	COLOR	NUMBER OF CROSSBARS	MOUNT	POST HEIGHT
PF	1	2	3	4

COMPONENT	CODE	DESCRIPTION	LIST PRICE
PRODUCT GROUP	PF	Para/Flex	
1 COLOR	S	Silver with Gray Trim	\$0
	B	Black with Black Trim	0
	W	Polished Aluminum with White Trim	0
2 NUMBER OF CROSSBARS <i>Choose from 1 or 2 crossbars to create 1 or 2 rows of monitors</i>	1	One Crossbar	550
	2	Two Crossbars	1100
3 MOUNT†	C	Clamp Mount	180
	B	Bolt-Thru Mount	100
	N	No Mount	0
4 POST HEIGHT‡ *	12	12" High Post	80
	18	18" High Post	140
	24	24" High Post (Two 12" High Stackable Posts)	160
	30	30" High Post (12" and 18" High Stackable Posts)	220
	36	36" High Post (Two 18" High Stackable Posts)	280
	N	No Post	0

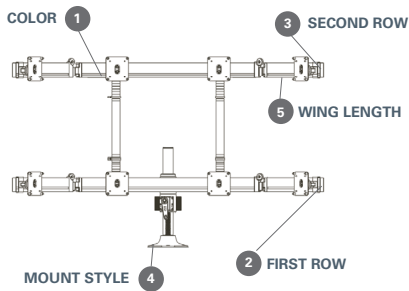
†Pricing includes 2 Mounts

‡Pricing includes 2 Posts

*Posts come in 12" or 18" high stackable sections. Specify the desired post height, which will be a combination of 12" and 18" posts. 24 - 36" high posts will ship with the attachment. Specify N for No Mount.

Build Your Para/Flex Product Code

To determine the list price for your Para/Flex solution, identify your choice for each component and build the product code as shown below. Add the prices for all the options selected.



PRODUCT	COLOR	FIRST ROW	SECOND ROW	MOUNT STYLE	WING LENGTH
P2	1	2	3	4	5
_____	_____	_____	_____	_____	_____

COMPONENT	CODE	DESCRIPTION	LIST PRICE
1 COLOR ¹	B	Black	—
	S	Silver	—
2 FIRST ROW	1	Base Unit with Standard Lower Crossbar	\$1,050
	X	No Base Unit, No First-Row Crossbar (use when ordering Second-Row only)	0
3 SECOND ROW	2	Second-Row Crossbar Assembly	630
	X	No Second-Row Crossbar Assembly (use when ordering one row only)	0
4 MOUNT STYLE	NM	No Mount (use when ordering Second-Row only)	0
	DM	Desk Mount	210
	CM	Clamp Mount	210
	HW	Horizontal Beam Mount for Woodtronics	210
	HI	Horizontal Beam Mount for Innovant AX50	210
	HL	Horizontal Beam Mount for LaCour	210
	HS	Horizontal Beam Mount for SBFi	210
	HD	Horizontal Beam Mount for DAS ²	210
	VW	Vertical Slatwall Mount for Woodtronics	210
	VI	Vertical Slatwall Mount for Innovant	210
	VS	Vertical Slatwall Mount for SBFi Universal ²	210
5 WING LENGTH	—	Standard 14.5" Wings	0
	L	Long 20" Wings ³	105

¹ Silver unit has Light Gray accents (cable managers, trim, etc.), Black unit has Black accents.

² Contact Humanscale Rep for availability.

³ If ordering a two-row Para/Flex Plus, add \$210 as two long 20" wings will ship with order.

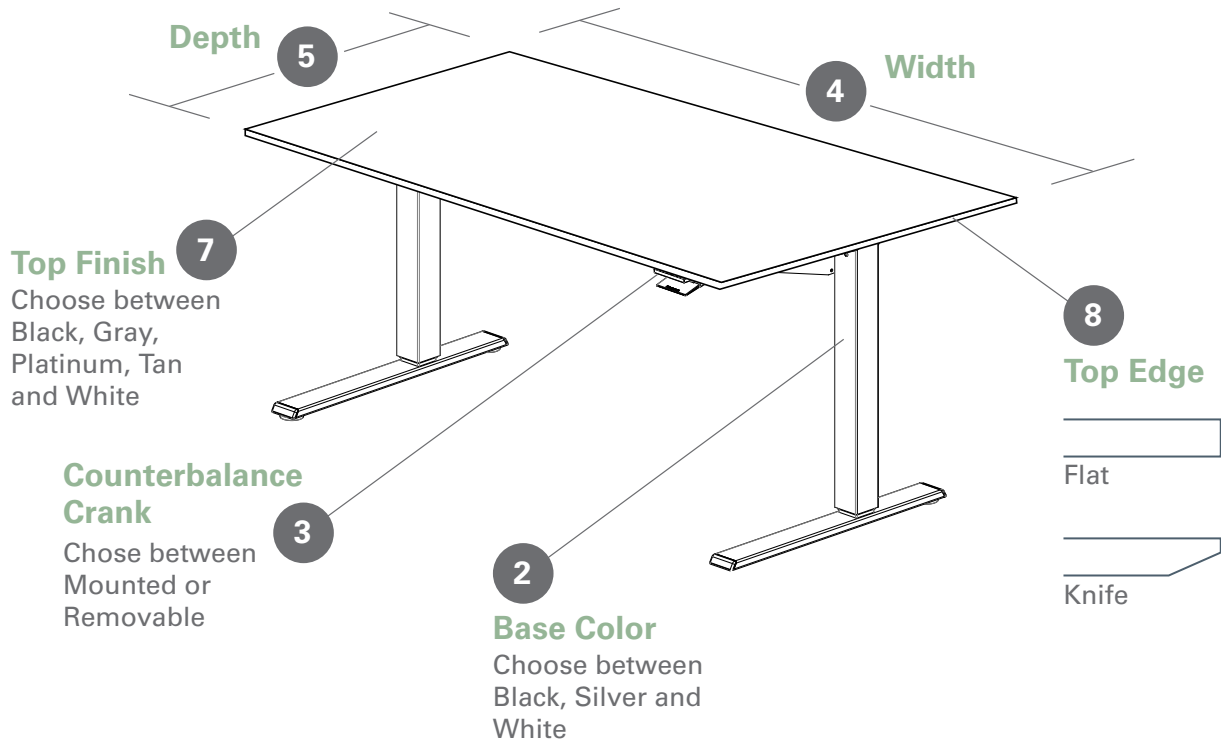
Float Table



Build Your Float Table

To determine the list price for your Float Table, identify your choice for each component and build the product code as shown below. Add the prices for all the options selected.

PRODUCT	BASE COLOR	COUNTERBALANCE CRANK	WIDTH	DEPTH	TOP SIZE LAMINATE	TOP FINISH	TOP EDGE
1	2	3	4	5	6	7	8
_____	_____	_____	_____	_____	_____	_____	_____



Float Component Pricing

COMPONENT	CODE	DESCRIPTION	LIST PRICE
1 PRODUCT	FN	Float Base Only (No Top)	\$ -
	FT	Float with Top	-
2 BASE COLOR	B	Black	0
	S	Silver	0
	W	White	0
3 COUNTERBALANCE CRANK	M	Mounted	100
	R	Removable	-
4 WIDTH	4	For 48 inch - 54 inch wide tops	1,799
	6	For 60 inch - 72 inch wide tops	1,849
5 DEPTH	2	For 24 inch deep tops	-
	3	For 30 inch deep tops	-
6 TOP SIZE LAMINATE	2448	24 inch deep by 48 inch wide top	395
	2454	24 inch deep by 54 inch wide top	425
	2460	24 inch deep by 60 inch wide top	450
	2466	24 inch deep by 66 inch wide top	480
	2472	24 inch deep by 72 inch wide top	510
	3048	30 inch deep by 48 inch wide top	425
	3054	30 inch deep by 54 inch wide top	450
	3060	30 inch deep by 60 inch wide top	475
	3066	30 inch deep by 66 inch wide top	495
	3072	30 inch deep by 72 inch wide top	535
XXXX	No Table Top	-	
7 TOP FINISH	BL	Black	0
	GY	Gray	0
	PL	Platinum	0
	TN	Tan	0
	WH	White	0
	XX	No Table Top	-
8 TOP EDGE	F	Flat	0
	K	Knife ¹	0
	X	No Table Top	-

Note: For Float with no table top, select all X's for positions 6 - 8.

¹ Available Q4 2012



Access Rail

Desk-Mounted Access Rail

Build Your Product Code

To determine the product code and list price for the first segment of your Access Rail, identify each component required for your two-post configuration and insert the appropriate code in the chart below. For configurations requiring more than two Posts, you must create a separate product code for add-on configurations, which require only one Post. To calculate list price, total the cost of all components.

Product	Post Height/ Number Of Collars	Color (Silver)	Post Quantity & Mount Style	Number Of Rails	Rail Length
Access Rail	1	2	3	4	5
A1	—	S	— — — —	—	— — —

1 POST HEIGHT/NUMBER OF COLLARS

The number of Collars is dependent upon the number of Rails, the desired Rail height, and the configuration. Two-Collar Posts accommodate one Rail. Three-Collar Posts accommodate one or two Rails. Four-Collar Posts accommodate one to three Rails. Five-Collar Posts accommodate one to four Rails. The maximum number of Collars for Rails longer than 48" is two (1-Rail).

2 COLOR

The Access Rail is currently available in Silver. Custom colors may be available. Consult your Humanscale representative.

3 POST QUANTITY & MOUNTING STYLE

For your first Access Rail segment, select a two-post configuration with the Mount that is appropriate for your work surface. Add-on configurations consist of one Post. Complete a separate product code for each configuration segment.

4 NUMBER OF RAILS

Select the desired number of Rails noting that the maximum number of Rails is one less than the total number of Collars on each Post.

5 RAIL LENGTH

Select the appropriate Rail length for your work space solution, noting that Rail length specified is the actual Rail length—not desk width—and that the Posts, Mounts and Rail Endcaps take up space that must be accommodated (see Access Rail Spec Guide).

Desk-Mounted Access Rail Component Pricing Chart

COMPONENT	CODE	DESCRIPTION	TWO COLLARS	THREE COLLARS	FOUR COLLARS	FIVE COLLARS	
1 POST HEIGHT/ NUMBER OF COLLARS			2	3	4	5	
2 COLOR	S	Silver	\$ 0	\$ 0	\$ 0	\$ 0	
3 POST QUANTITY & MOUNT STYLE							
<i>Two Posts for Initial Access Rail Configuration</i> 	2BT	2 Posts, Bolt-Through Mount	380	460	680	760	
	2DM	2 Posts, Direct Mount	380	460	680	760	
	2CM	2 Posts, Heavy-Duty Clamp Mount	490	570	790	870	
	2LC	2 Posts, Low-Profile Clamp Mount	430	530	—	—	
<i>One Post for Add-On Configurations</i> 	1BT	1 Post, Bolt-Through Mount	190	230	340	380	
	1DM	1 Post, Direct Mount	190	230	340	380	
	1CM	1 Post, Heavy-Duty Clamp Mount	245	285	395	435	
	1LC	1 Post, Low-Profile Clamp Mount	215	265	—	—	
COMPONENT	CODE	DESCRIPTION	TWO COLLARS	THREE COLLARS	FOUR COLLARS	FIVE COLLARS	
4 NUMBER OF RAILS			1	2	3	4	
5 RAIL LENGTH	Rail	18	18" Rail	\$180	\$360	\$540	\$720
		24	24" Rail	200	400	600	800
		30	30" Rail	220	440	660	880
		36	36" Rail	260	520	780	1040
		42	42" Rail	300	600	900	1200
		48	48" Rail	345	690	1035	1380
		54	54" Rail	390	—	—	—
		60	60" Rail	440	—	—	—

Wall-Mounted Access Rail

Build Your Product Code

To determine the product code and list price for the your Wall-Mounted Access Rail, identify each component required for your configuration and insert the appropriate code in the chart below. To calculate list price, total the cost of all required components.

Product	Color (Silver)	Rail Length
Access Rail with Wall Mount	1	2
AW	S	---

1 COLOR

The Access Rail is currently available in Silver. Custom colors may be available. Consult your Humanscale representative.

2 RAIL LENGTH

Select the appropriate Rail length for your work space solution, noting that Rail length specified is the actual Rail length.

Note: Wall Mounted Access Rails up to 42" include two Wall Mount Brackets and 48-60" Rails include three Wall Mount Brackets.

IMPORTANT: Humanscale bears no responsibility for installation of the Wall-Mounted Access Rail and is not liable in any way for the manner in which the Wall-Mounted Access Rails are attached to the wall. Installation should be managed by a structural engineer.

Wall-Mounted Access Rail Pricing Chart

Component	Code	Description	Price
1 Color	S	Silver	\$0
2 Rail Length	18	18" Rail	330
	24	24" Rail	350
	30	30" Rail	370
	36	36" Rail	410
	42	42" Rail	450
	48	48" Rail	545
	54	54" Rail	590
	60	60" Rail	640



Rail

Access Rail Extras

The following components and accessories are ordered separately from the Access Rail.

ADDITIONAL RAILS

An add-on for adding Rails to an existing installation.

Code	Description	Price
A118S	18" Rail	\$180
A124S	24" Rail	200
A130S	30" Rail	220
A136S	36" Rail	260
A142S	42" Rail	300
A148S	48" Rail	345
A154S	54" Rail	390
A160S	60" Rail	440

EXTENSION KIT

Extends a 2-Collar Post to 4-Collar, or extends 3-Collar Post to 5-Collar: as an add-on for an existing Access Rail installation.

Code	Description	Price
A1EX2	2-Collar Extension Kit	\$180

MONITOR ARMS

Consult the Humanscale Monitor Arms Pricing and Specification Guide for complete specs and additional configuration options.

Code	Description	Price
M7N1S9S4	M7 with Folding Links, Silver	\$310
M4N1SAS4	M4 Adjustable Arm, Silver	480
M2SW2S	M2 Adjustable Arm, Polished Aluminum with White Trim	310

NOTEBOOK HOLDERS

Consult the Humanscale Monitor Arms Pricing and Specification Guide for complete specs.

Code	Description	Price
M7N1S9S4NH	M7 with Folding Links and Notebook Holder, Silver	\$430
M4N1SAS4NH	M4 Adjustable Arm, with Notebook Holder, Silver	600

TASK LIGHTS

Consult the Humanscale Ergo Tools Pricing and Specification Guide for complete specs.

Code	Description	Price
ELUAS	Element LED Task Light, All Silver	\$409
ELUAW	Element LED Task Light, White with Silver Accents	409
DA1EASA	Diffrient Task Light II, Single Arm, Silver	290
DA1EABA	Diffrient Task Light II, Single Arm, Black	290
DA2EASA	Diffrient Task Light II, Double Arm, Silver	322
DA2EABA	Diffrient Task Light II, Double Arm, Black	322
DX1EAS1	Diffrient Work Light II, Single Arm, Silver	290
DX1EAB1	Diffrient Work Light II, Single Arm, Black	290
DX2EAS1	Diffrient Work Light II, Double Arm, Silver	322
DX2EAB1	Diffrient Work Light II, Double Arm, Black	322

ACCESSORIES

Code	Description	Price
A11000C	Pencil Cup, Clear	\$18
A11000S	Pencil Cup, Silver	18
A11001C	CD Holder, Clear	30
A11001S	CD Holder, Silver	30
A11003C	Paper Tray, Clear	54
A11003S	Paper Tray, Silver	54
A11004C	Accessory Tray, Clear	38
A11004S	Accessory Tray, Silver	38
A11005C	Phone Holder, Clear	44
A11005S	Phone Holder, Silver	44
A11007C	Legal/A4 Paper Tray, Clear	55
A11007S	Legal/A4 Paper Tray, Silver	55
A11008C	Folder Sorter Tray, Clear	64
A11008S	Folder Sorter Tray, Silver	64
A11009C	Binder Holder, Clear	30
A11009S	Binder Holder, Silver	30
A11014C	Cup Holder, Clear	20
A11014S	Cup Holder, Silver	20
A1PSSS	Small Peripheral Shelf, 12.5" x 10", Silver	75
A1PSLS	Large Peripheral Shelf, 18" x 12.5", Silver	95



Ergo Tools

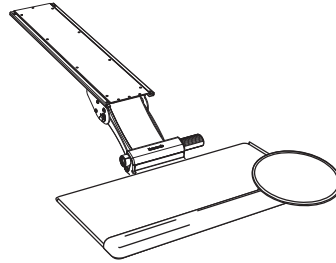
Best-Selling Keyboard Systems

With advanced technology, award-winning designs and hundreds of options, Humanscale has remained the market leader in keyboard supports for 10 years running. We pioneered intuitive adjustability and eliminated knee obstruction. And these best-sellers remain several steps ahead of the pack.

All keyboard systems are available to ship within 72 hours.

White 6G System

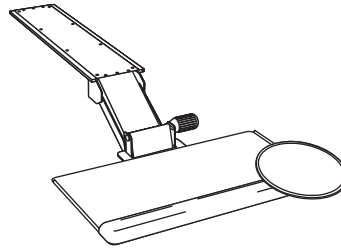
- Standard White 6GW Mechanism
- White 900 or 950 Platform
- White High Clip Mouse* (8.5" or 10" Mousing Surface)
- Gray Gel Mouse Pad
- Gray Synthetic Leather Gel Palm Support



Std 6GW/8.5"	6GW 900 90H G	\$465
	6GW 950 90H G	\$465
Std 6GW/10"	6GW 900 91H G	\$465
	6GW 950 91H G	\$465

Clip Mouse System

- 2G or 6G Mechanism
- Standard 900 Platform
- High Clip Mouse (8.5" or 10" Mousing Surface)
- Synthetic Leather Palm Support (Gel or Foam)
- Standard Black color scheme

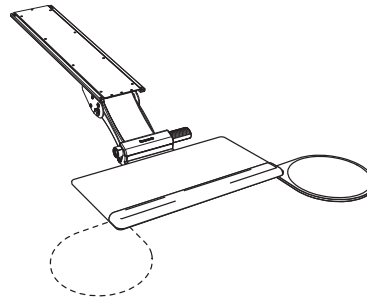


8.5"/Gel	2G 900 90H G	\$450
	6G 900 90H G	\$465
10"/Gel	2G 900 91H G	\$450
	6G 900 91H G	\$465
8.5"/Foam	2G 900 90H F	\$432
	6G 900 90H F	\$447
10"/Foam	2G 900 91H F	\$432
	6G 900 91H F	\$447

Shown with 2G mechanism

Swivel Mouse System

- 2G or 6G Mechanism
- Standard 900 Platform
- 8" Swivel Mouse (Right or Dual)
- Synthetic Leather Palm Support (Gel or Foam)
- Standard Black color scheme



Right/Gel	2G 900 11R G	\$430
	6G 900 11R G	\$445
Dual/Gel	2G 900 11D G	\$480
	6G 900 11D G	\$495
Right/Foam	2G 900 11R F	\$412
	6G 900 11R F	\$427
Dual/Foam	2G 900 11D F	\$462
	6G 900 11D F	\$477

Shown with 6G mechanism

*Standard-height Clip Mouse also available for White 6G System.

Build Your Keyboard System Product Code

Choose from our many mechanisms, keyboard platforms, mouse platforms, palm supports and track lengths to configure your own customized keyboard system.

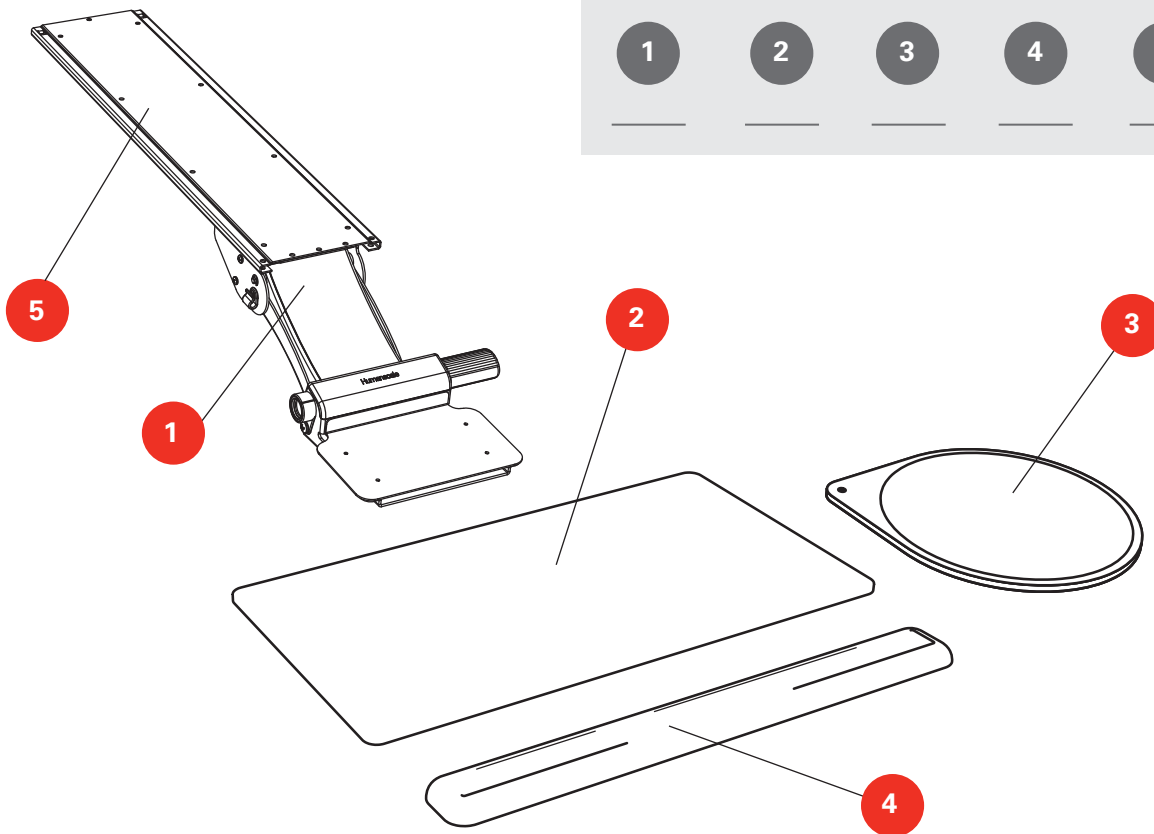
White mechanisms ship with White keyboard and mouse platform, Gray palm support and mouse pad.

Platinum mechanisms ship with Platinum keyboard and mouse platform, Gray palm support and mouse pad.

Black mechanisms ship with Black keyboard and mouse platform, Black palm support and mouse pad.

Keyboard System Product Code:

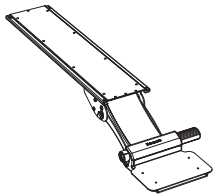
Mechanism	Keyboard Platform	Mouse Platform	Palm Support	Track (optional)
1	2	3	4	5
_____	_____	_____	_____	_____



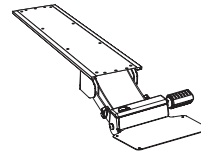
1

Mechanism Options

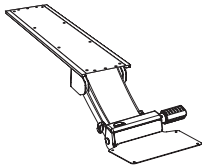
All keyboard mechanisms, with the exception of the KM, offer 0° to -15° tilt for low-risk typing postures.
Build-Your-Own configurations are available in Black only, unless otherwise noted.



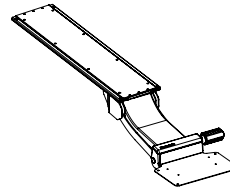
6G (Black), **6GW** (White) \$255
Humanscale's most advanced keyboard mechanism to date, the 6G provides intuitive ergonomic adjustability and unmatched styling.
7" height adjustment
(1.75" above track to 5.25" below track)
Comes standard with 21.625" track



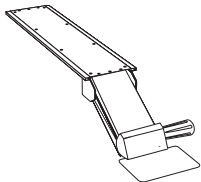
5GSM (Black), **5GSV** (Platinum) \$270
The 5G Short Mechanism provides 5G functionality with a shorter arm for small workstations and tight spaces.
4" height adjustment
(0.5" above track to 3.5" below track)
Comes standard with 18" track



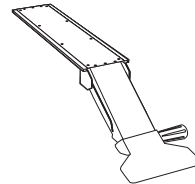
5G (Black), **5GV** (Platinum) \$270
The world's best-selling keyboard mechanism, the 5G combines easy dial-a-tilt and height adjustability with the strongest arm on the market.
6.25" height adjustment
(1.25" above track to 5" below track)
Comes standard with 21.625" track



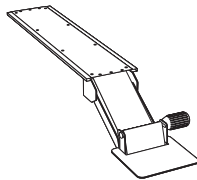
5GAD \$335
The 5G Above Desk mechanism provides 5G functionality with a longer arm for use above the work surface.
13.5" height adjustment
(7.5" above track to 6" below track)
Comes standard with 27" track



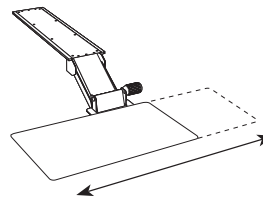
4G \$375
The 4G represents revolutionary keyboard technology with simple dial-a-tilt keyboard angle adjustability.
6.25" height adjustment
(1.25" above track to 5" below track)
Comes standard with 21.625" track



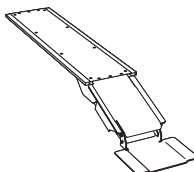
4GAD \$335
The 4G Above Desk mechanism provides 4G functionality with a longer arm for use above the work surface.
11.5" height adjustment
(8.5" above track to 3" below track)
Comes standard with 27" track



2G \$240
The original standard bearer, the 2G offers independent height and tilt adjustment and unmatched stability.
6.25" height adjustment
(1.25" above track to 5" below track)
Comes standard with 21.625" track



Mechanism Accessory LS \$86
The Lateral Slider allows the platform to be adjusted left or right a total of 8" for optimal keyboard positioning. It can be ordered with any keyboard mechanism by indicating "LS" after the mechanism code (e.g., 6GLS or 6GWLS).

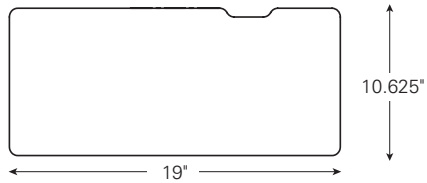


KM \$220
The Standard Pre-Set Tilt Arm offers total knee clearance, knob-free adjustment and 0° tilt.
6.25" height adjustment
(1.25" above track to 5" below track)
Comes standard with 21.625" track

2

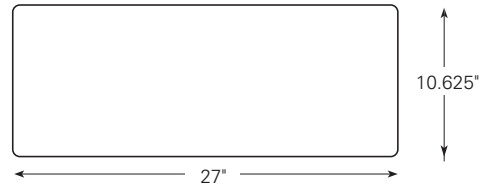
Keyboard Platform Options

All Build-Your-Own platforms are available in Black only, unless otherwise noted.



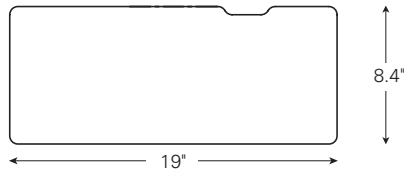
900 Standard \$100

Available in White with 6GW.
Available in Platinum with 5GV or 5GSV.



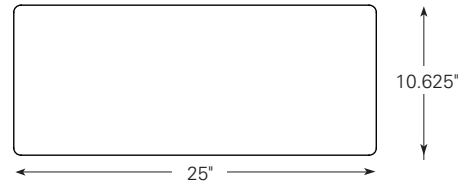
500 Big \$150

Comes with built-in mousing surface.
Not available with other mouse platform options.
Available in White with 6GW.
Available in Platinum with 5GV or 5GSV.



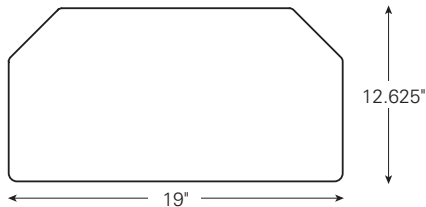
950 Standard Compact \$100

Available in White with 6GW.
Available in Platinum with 5GV or 5GSV.

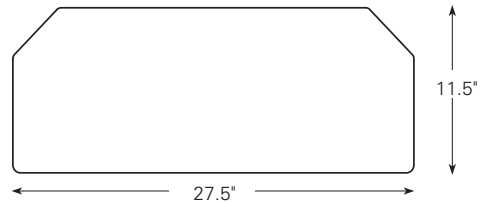


550 Big Compact \$150

Comes with built-in mousing surface.
Not available with other mouse platform options.
Available in White with 6GW.
Available in Platinum with 5GV or 5GSV.

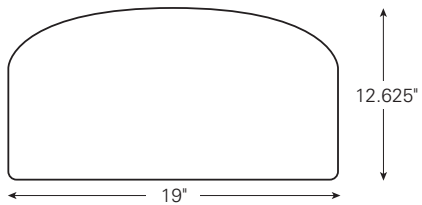


700 Diagonal \$100

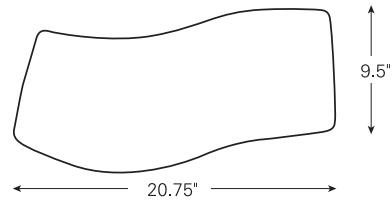


400 Diagonal Big \$150

Comes with built-in mousing surface.
Not available with other mouse platform options.

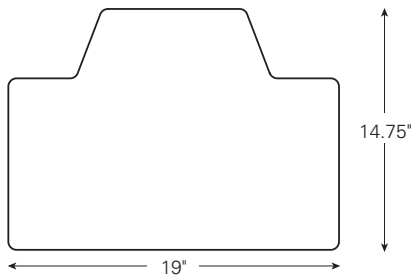


800 Radiused \$100

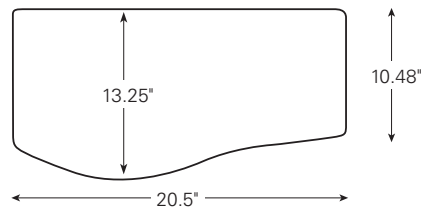


300 Curved \$100

Not available with a palm support.



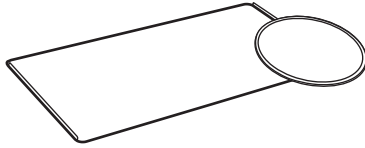
600 Extender \$120



100 Combo \$100

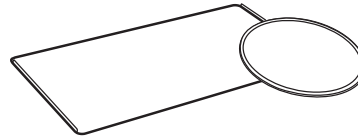
3 Mouse Platform Options

All Build-Your-Own mouse platforms are available in Black only, unless otherwise noted.



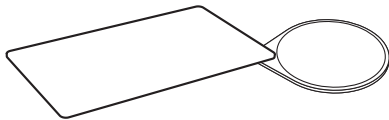
90	8.5" Clip	\$70
90H	8.5" High Clip	\$70

Available in White with 6GW.
Available in Platinum with 5GV or 5GSV.



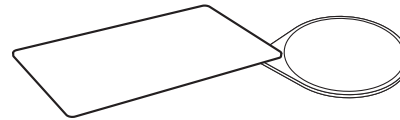
91	10" Clip	\$70
91H	10" High Clip	\$70

Available in White with 6GW.
Available in Platinum with 5GV or 5GSV.



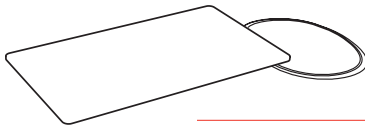
11R	8" Swivel Right	\$50
11L	8" Swivel Left	\$50
	<i>(not pictured)</i>	
11D	8" Swivel Dual	\$100
	<i>(not pictured)</i>	

Available in White with 6GW.
Not available with 5GV, or 5GSV.



12R	10" Swivel Right	\$50
12L	10" Swivel Left	\$50
	<i>(not pictured)</i>	
12D	10" Swivel Dual	\$100
	<i>(not pictured)</i>	

Available in White with 6GW.
Not available with 5GV, or 5GSV.



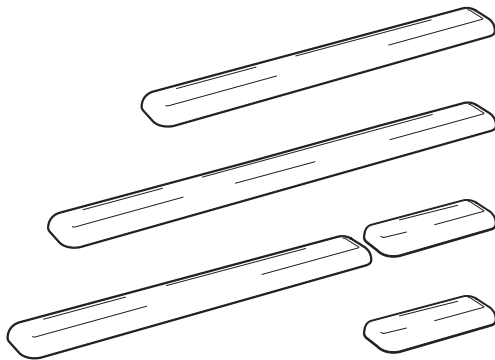
81R	M² Right	\$50
81L	M² Left	\$50
	<i>(not pictured)</i>	
81D	M² Dual	\$100
	<i>(not pictured)</i>	

Available in White with 6GW.
Not available with 5GV, or 5GSV.

4

Palm Support Options

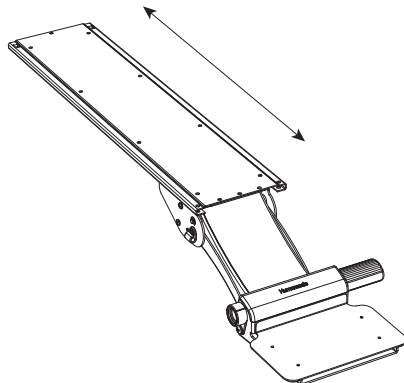
All Build-Your-Own palm supports are available in Black only, unless otherwise noted.



5

Track Options

All keyboard systems ship with track lengths noted on page 91 unless a different track length is specified. Please use these codes to order a specific track for your system.



F	19" Foam with synthetic leather cover	\$22
G	19" Gel with Black or Gray synthetic leather cover	\$40
SS	19" Slim Palm Support Silver	\$40
SB	19" Slim Palm Support Black	\$40
F20	20" Foam with synthetic leather cover	\$22
G20	20" Gel with synthetic leather cover	\$40
F25	25" Foam with synthetic leather cover	\$28
G25	25" Gel with synthetic leather cover <i>For 550 boards only</i>	\$46
F27	27" Foam with synthetic leather cover	\$28
G27	27" Gel with Lycra knit cover <i>For 400 and 500 boards only</i>	\$45
FMP	20" and 7" Foam with synthetic leather cover	\$35
GMP	20" and 7" Gel with synthetic leather cover <i>For 400 and 500 boards only</i>	\$55
MP7F	7" Foam with synthetic leather cover	\$14
MP7G	7" Gel with synthetic leather cover	\$18

27	27" track	N/C
25	25" track	N/C
22	Standard 21.625" track	N/C
18	18" track	N/C
16	16" track	N/C
14	14" track	N/C
11	11" track	N/C

Replacement Tracks with Hardware Pack *(if ordering without mechanism)*

RT27	27" track	\$60
RT25	25" track	\$55
RT22	Standard 21.625" track	\$45
RT18	18" track	\$45
RT16	16" track	\$45
RT14	14" track	\$45
RT11	11" track	\$45

Keyboard System Accessories

Mouse Pads



HSMP12TIPS \$6

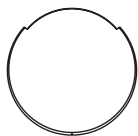
8" Ergo Tips Mouse Pad

For 8" – 8.5" mouse platforms

HSMP12TIPS10 \$7

9" Ergo Tips Mouse Pad

For 10" mouse platforms



CMPGEL8 \$27

8.5" Gel Mouse Pad - Black

CMPGEL8SLV \$27

8.5" Gel Mouse Pad - Silver

For 90 or 90H Clip Mouse

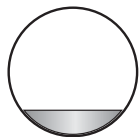
CMPGEL \$27

10" Gel Mouse Pad - Black

CMPGELSLV \$27

10" Gel Mouse Pad - Silver

For 91 or 91H Clip Mouse



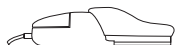
MPGEL8 \$22

8.5" Gel Mouse Pad

MPGEL10 \$27

10" Gel Mouse Pad

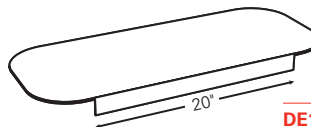
Palm Support



MM10 \$17

Mouse Mate

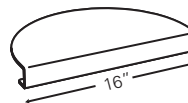
Corner Sleeves



DE100 \$135

29.5" x 12.188"

Fits desks 1" to 1.5" thick

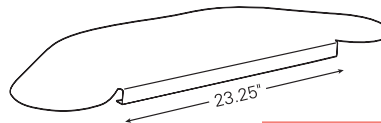


DE200/DE250 \$85

16" diameter

DE200 fits desks 1" to 1.5" thick

DE250 fits desks 1.5" to 2.5" thick



DE400/DE450 \$220

38.5" x 13.75"

DE400 fits desks 1" to 1.5" thick

DE450 fits desks 1.5" to 2.5" thick

Ergonomic Accessories

Input Device



Switch Mouse

SMUSB \$125

Switch Mouse with USB connector,
optical sensor and navigation dish

Ergonomic Accessories

Laptop Holders



Notebook Manager

L6 \$160

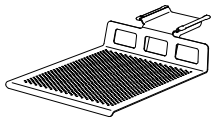
Maximum Dimensions:
13.5" W x 10.9" D x 10.1" H
7.3" height adjustability

(Accommodates notebook computers at least 10" wide and 6" deep, and up to 1.5" thick)



Removable USB Hub

L6USB \$32



Tech Tray

TT \$105

12" W x 14" D

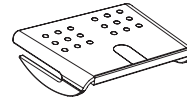
Comes standard with 16" track. Sits 3.5" below track.



Keyed Security Lock

TT1 \$32

Foot Rests



Rocking Foot Machine

FM500C (Cherry) \$160

FM500K (Black) \$160

12.25" D x 16.75" W x 4.5" H



Foot Machine with Massage Balls

FM300B (Natural) \$190

FM300BDC (Dark Cherry) \$190

11.875" D x 16" W
Height Range: 3.75" to 6.75"



Foot Machine

FM300 (Natural) \$140

11.875" D x 16" W
Height Range: 3.75" to 6.75"



Tilting Foot Rest

FM100 (Natural) \$130

11.75" D x 19" W x 3.375" H

Cable Management

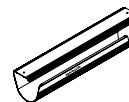


NeatLinks – Small 17"

NL17SB (Black) \$20

NL17SG (Gray) \$20

Small 2.6" Diameter, 17" Length

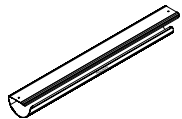


NeatLinks – Large 17"

NL17LB (Black) \$22

NL17LG (Gray) \$22

Large 3.6" Diameter, 17" Length

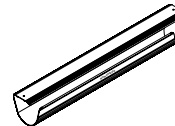


NeatLinks – Small 24"

NL24SB (Black) \$22

NL24SG (Gray) \$22

Small 2.6" Diameter, 24" Length



NeatLinks – Large 24"

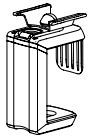
NL24LB (Black) \$24

NL24LG (Gray) \$24

Large 3.6" Diameter, 24" Length

Ergonomic Accessories

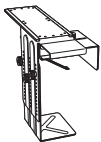
CPU Holders



CPU200 (Black) \$160
CPU200W (White) \$160

Fits CPUs 1" to 5" wide by 12" high
Max CPU Weight: 15 lbs.

Installed Dimensions:
6.7" Width, CPU Height + 3.8" (plus additional 1.2" with spacer option)

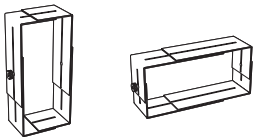


CPU300 \$150

Fits CPUs 3.25" to 9" wide by 10.5" to 18" high

Max CPU Weight: 70 lbs.

Installed Dimensions:
CPU Width + 1.5", CPU Height + 3"



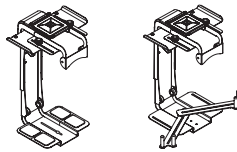
CPU450 \$140

Fits CPUs 4" to 8" by 11.5" to 20"
Max CPU Weight: 50 lbs.

Installed Dimensions:
CPU Width + 2.5", CPU Height + 3.75"

CPU450STK \$35

Swivel Track Upgrade Kit



CPU555 \$170

Fits CPUs 3" to 9.5" wide
by 12" to 22" high
Max CPU Weight: 70 lbs.

Installed Dimensions:
CPU Width + 3.5", CPU Height + 4.5"

CPU555SEC \$205

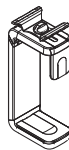
With Security System

CPU555STOOL \$28

Replacement Tool Kit for CPU555SEC
(comes standard with CPU555SEC)

CPU555SECKIT \$55

Retrofit Security Kit for CPU555
(comes standard with CPU555SEC)

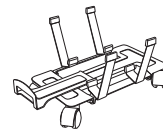


CPU600 (Black) \$175

CPU600W (White) \$175

Fits CPUs 3.5" to 9"
wide by 12" to 20" high
Max CPU Weight: 50 lbs.

Installed Dimensions:
7" or CPU Width + 1.7" (whichever is greater),
CPU Height + 3.6"



CPU Dolly

CPUDLY \$160

Fits CPUs 3.25" to 9" wide

Installed Dimensions:
CPU Height + 3.75"

CPUDLYPLT \$170

With Platform
For CPUs 1.5" to 9" wide

CPUPLATFORM \$18

CPU Dolly Retrofit Platform

CPUDLYH \$40

Telescoping Pull Handle

Quick Track



Quick Track and Bracket

16QT 16" Quick Track \$60

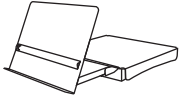
22QT 22" Quick Track \$60

Easily removable (without tools) front bracket makes swap-outs a snap.

To order, simply add "16QT or 22QT" to end of product code (e.g., CPU55516QT).

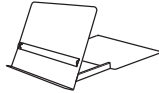
Comes standard with CPU600.

In-Line Document Holders



Copy Drawer

CH3000 (Putty)	\$160
CH3000B (Black)*	\$160
15" D x 15.5" W x 3" H	



Copy Stand

CH1000 (Putty)	\$130
CH1000B (Black)*	\$130
12" D x 14" W x 3" H	
<i>For use with CRTs</i>	

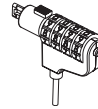


Copy Stand Basic

CH900 (Putty)	\$115
CH900B (Black)*	\$115
11" D x 14" W x 3" H	
<i>For use with flat panel monitors</i>	

** Black may require up to an 8–10 week lead time. See your Humanscale sales representative for more information.*

Security Lock



Security Lock

SECLOCK	\$32
For CPUs, laptops, flat panels, etc.	
Combination lock with 3' cord.	
<i>Fits all units with standard security keyhole</i>	



Keyed Security Lock

TT1	\$32
For CPUs, laptops, flat panels, etc.	
Keyed lock with 2' cord.	
<i>Fits all units with standard security keyhole</i>	

Humanscale Terms and Conditions

THE FOLLOWING TERMS & CONDITIONS APPLY TO ALL HUMANSCALE PRODUCTS.

TERMS OF PAYMENT

Upon approved credit, terms of payment are net 30 from date of shipment. Deposits may be required for large or custom orders. The processing of orders and/or shipment of orders placed may be delayed if the deposit is not received with the order or if customer's account is in "Past Due" status.

CREDIT POLICY

All customers of Humanscale must complete a credit application, with current information, which must be signed by an owner or officer. A line of credit may be set by our Credit Department, however the basis for the line of credit may be changed or cancelled at our discretion and advance payment may be required. Any unpaid balance, upon which payments are not made according to the terms governing the sale, will be considered "Past Due" and will increase by a maximum of 2% per month, without forfeit of Humanscale's right to payment.

Any customer who has failed to pay for goods delivered or services rendered in a timely manner shall be liable for all fees, expenses, disbursements, and charges (including all legal costs) incurred by Humanscale in collecting monies owed, as well as interest (at 24% per annum).

PURCHASE ORDERS

Purchase orders must include the following: "Bill To" and "Ship To" information—Company Name (Ship To company may be end user or installation company), Address, Telephone, Fax, Contact Person; End User Company Name; Requested Ship Date; Purchase Order Number; Special Delivery, Shipping and Packing Instructions (if applicable); Proper Discount Off Current List Price, Product Quantities and Full Model Numbers; and Total (List/ Net).

ORDER CHANGES & CANCELLATIONS

All changes to or cancellations of orders placed with Humanscale must be in writing and sent to Customer Service. Orders may be changed or cancelled without penalty if Humanscale is notified at least two (2) weeks before the scheduled ship date for standard orders (under 250 units), or at least three (3) weeks before the scheduled ship date for large orders (250 units or more). Order changes or cancellations made less than two (2) weeks before the scheduled ship date for standard orders or less than three (3) weeks before the scheduled ship date for large orders will incur a minimum change/cancellation fee of 10% of net. Irrespective of when notified, changes or cancellations are not binding upon Humanscale until Humanscale issues a written acknowledgment of the change or cancellation. Order changes are defined as the deletion of line items; changes in style, color, quantity or requested ship date; or ship-to address changes. Order changes that result in a quantity reduction may be subject to an additional small order fee or adjustment in pricing. Under no circumstances will changes or cancellations be accepted on any custom fabric, special order or custom product orders.

TAXES

Humanscale list prices do not include sales tax. Customer is responsible to remit all such tax. Humanscale requires a State Resale/Exemption Certification to be on file at its main office. Sales made without said Certificate will be charged the appropriate sales tax.

PRICES

All discounts and list prices are subject to change without notice. Prices are those in effect at the time of order entry. If the requested shipment date is more than 90 days after the order date, Humanscale reserves the right to price said order based on the published list price as of the shipment date.

SMALL ORDER FEE

A 3% small order fee applies to all invoiceable orders of \$1,500 net or less, including billable replacement parts, regardless of product category.

SHIPPING AND DELIVERY

All Humanscale orders are acknowledged with a promise date (scheduled ship date) based on the product with the longest lead time. Large orders may increase standard lead times. Standard shipping charges will be billed to customer. Custom platform orders require 4 to 6 weeks.

Seating orders, unless otherwise specified, will ship 4 to 6 weeks from the date of order. Unless otherwise contractually specified, Diffrient World, Freedom and Liberty chairs will ship with the base and frame disassembled. Chairs can be easily assembled in seconds without use of tools. Blanket-wrapped shipping is available for full truckloads of 200 or more Diffrient World, Freedom or Liberty Task and Conference chairs. Consult your Humanscale representative for blanket-wrapped shipping requirement for Cinto and the Liberty Side chair.

Ship Sets: All products ordered on a single purchase order will be delivered together in a single ship set. To break a ship set, customers must indicate "Ship as Available" on the purchase order. Upon request, customer accounts may be defaulted to ship all orders on an as-available basis.

Shipping Instructions: Humanscale will attempt to accommodate basic shipping instructions, such as "call ahead" or "deliver before 12:00 p.m.," if clearly identified on the purchase order as "Shipping Instructions."

Packing Instructions: Humanscale will attempt to accommodate basic packing instructions for internal delivery of specific items on an order, such as "Deliver to Joe Smith" or "Deliver to cube #218," if clearly identified on the purchase order as "Packing Instructions."

DELIVERY SHORTAGES

Product shortages must be noted at the time of delivery and reported to the carrier for correction. Claims against Humanscale for shortages, errors, etc., must be made in writing and within three (3) days of the date of delivery or customer waives its right to make such a claim.

FREIGHT CLAIMS

Humanscale will file all F.O.B. destination claims. In order to receive credit, customer agrees to cooperate and assist in the procedures set out by the carrier and Humanscale.

EXTERNAL DAMAGE

If the shipping container shows any external damage, customer is instructed to refuse the product at time of delivery. If it is a multiple piece shipment, customer may refuse only the damaged items. Humanscale will not issue full credit for returned product unless customer takes the following action steps:

1. Note damage on the delivery receipt at time of delivery.
2. Refuse product at time of delivery.
3. Contact Humanscale Customer Service within 24 hours of the attempted delivery and advise them of the damage.
4. Enter a chargeable replacement order; credit will be issued after the disposition of damaged product is determined.

CONCEALED DAMAGE/LOSS

If customer determines that there is internal damage not visible at time of delivery, customer will retain all packaging materials and take the following action steps within fifteen (15) calendar days from the date of delivery:

1. Request inspection by calling local freight carrier to report damage.
2. Retain merchandise in the original box.
3. Call your Humanscale Customer Service agent to provide order and product information.
4. Get a copy of the inspection report from carrier.
5. Enter a chargeable replacement order; credit will be issued after the disposition of damaged product is determined.

STORAGE

If a customer is unable to accept a scheduled product delivery, Humanscale, if notified in writing after product assembly and prior to the scheduled ship date, will store the product at customer's expense. Humanscale shall invoice customer for the product and monthly Storage Fees.

Storage Fees will be 1% of the net order value per month or actual storage costs—whichever is greater. Storage Fees are calculated with a one-month minimum and will not be pro-rated. If customer is unable to accept a scheduled product upon delivery, customer shall be responsible for placing the product in storage and bears the risk of loss. However, payment of the balance due is per Humanscale's Terms of Payment.

RETURN AUTHORIZATIONS & REFUSALS

All returned and non-damaged refused orders are subject to a five percent (5%) restocking fee. Seating and special order returns will not be accepted. Customer must request a Return Authorization through the Humanscale Customer Service Department within 45 days of product receipt to return any product. If Humanscale agrees to restock the product, customer must return it freight prepaid to Humanscale, F.O.B., to the original shipping point or as otherwise instructed by Humanscale Customer Service. If product is returned without a Return Authorization, Humanscale will notify customer of the unauthorized return and customer must provide instructions for its disposition within one week thereafter. Failure of customer to respond within one week will result in Humanscale's right to dispose of the product with no credit. Return Authorizations expire sixty (60) days after the date of issue. If the returned product is not in resalable condition, customer will not receive credit for the return. Customer must promptly provide a purchase order or other acceptance of fees/credit reduction as required.

WARRANTY

THE FOLLOWING WARRANTY IS IN LIEU OF ALL OTHER WARRANTIES EXPRESS OR IMPLIED, INCLUDING, BUT NOT LIMITED TO, THE IMPLIED WARRANTY OF MERCHANTABILITY AND FITNESS FOR A PARTICULAR PURPOSE AND ALL OTHER WARRANTIES ARISING FROM COURSE OF DEALING OR USAGE OF TRADE.

Humanscale offers the following warranties on its products:

PRODUCT	WARRANTY
All seating and other products detailed in a current Humanscale Price Guide, unless otherwise specified	15 Years, 24/7 Warranty
Fabric/Cushions/Arm Pads	5 Years, Single-Shift Warranty
M4, M7 & M8 Monitor Arms with Gas Cylinder Components	10 Years, 24/7 Warranty
Diffrient Series Lights	5 Years, 24/7 Warranty
Element and Horizon Series Lights, including light source	5 Years, 24/7 Warranty
Artemide Tolomeo Light	2 Years, 24/7 Warranty
CFL Light Bulbs	1 Year, Single-Shift Warranty
ZÖN Air Purifiers	3 Years, 24/7 Warranty
Switch Mouse	1 Year, 24/7 Warranty
Customer's Own Material (COM, COL)	No Warranty
All other products NOT detailed in a current Humanscale Price Guide	Varies; consult your Humanscale representative for details

This Warranty is applicable to the initial purchaser only and is non-transferable. If products are procured through authorized Humanscale Dealerships, the end-user customer name and address must be included on dealer purchase orders with Humanscale for the warranty to be in effect. Humanscale warrants that, at the time of customer's receipt, the product will be in good working order and will be free from defects in material and workmanship. This Warranty does not apply to normal wear and tear or damage caused by accident, neglect, misuse or improper installation or operation. Humanscale will not be responsible for damage due to service, maintenance, modifications or tampering by anyone other than a Humanscale authorized representative. In the event a product is defective and Humanscale receives written notice of the defect within the Warranty period, Humanscale, at its option, will either repair or replace the defective product. This Warranty does not cover damage caused by a carrier or transportation of the product from one location to another, or alterations made by owner.

LIMITATION OF LIABILITY

Purchaser's remedies set forth herein are exclusive and the liability of Humanscale with respect to the breach of this agreement or any contract entered into between the parties pursuant hereto shall not exceed the price of the product or part on which such liability is based. In no event will Humanscale be liable to purchasers for any special, collateral, incidental or consequential damages however caused, whether by Humanscale's negligence or otherwise.

The remedies provided above are the purchaser's sole remedies for any failure of Humanscale to comply with its obligations regarding the workmanship of its products. Correction of any nonconformity in the manner and for the period of time provided shall constitute complete fulfillment of all liabilities of Humanscale, with respect to or arising out of the product furnished hereunder.



Creating a more comfortable place to work

Customer Service

10 Inverness Drive East
Suite 100
Englewood, CO 80112
800 400 0625
303 858 9912
303 858 9916 fax
info@humanscale.com

U.S. Headquarters

11 East 26th Street
8th Floor
New York, NY 10010
212 725 4749
212 725 7545 fax

International Headquarters

13 Northburgh Street
London
EC1V 0JP
United Kingdom
+44 207 566 7990
+44 207 566 7991 fax
info@humanscale.co.uk

www.humanscale.com