



## Pricing and Specification Guide

U.S. Prices effective April 1, 2013

## Table of Contents

V7 Common Configurations .....	1
V6 Common Configurations .....	2
V5 Common Configurations .....	4
Build Your V7 Product Code.....	5
V7 Component Pricing Chart .....	6
Build Your V6 Product Code.....	7
V6 Component Pricing Chart .....	8
Build Your V5 Product Code.....	10
V5 Component Pricing Chart .....	11
T7 Common Configurations .....	12
Build Your T7 Product Chart .....	16
T7 Component Pricing Chart .....	17
Healthcare Accessories .....	19
Terms & Conditions .....	23

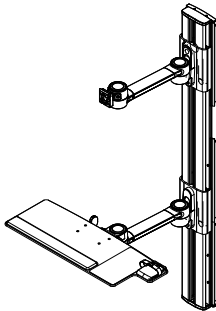
# ViewPoint<sup>TM</sup>

---

TECHNOLOGY WALL STATIONS

Revolutionizing the way caregivers interact with  
technology... and their patients

# V7 Common Configurations

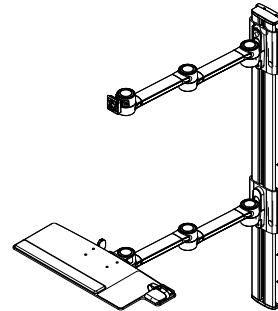


**V7-01-XX\***

\$955

V75611XXK1SHPWXXXXX

56" Track, Single Monitor, Single Link (Max Capacity 30 lbs),  
Single Link Keyboard Arm, Standard Healthcare Platform  
with Strap-Style Mouse Holder, White, No CPU Holder

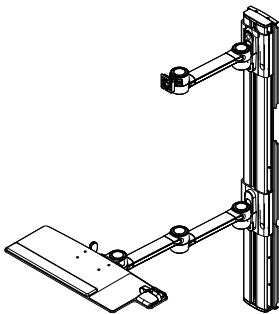


**V7-02-XX\***

\$1065

V75612XXK2SHPWXXXXX

56" Track, Single Monitor, Dual Link (Max Capacity 27 lbs),  
Dual Link Keyboard Arm, Standard Healthcare Platform  
with Strap-Style Mouse Holder, White, No CPU Holder

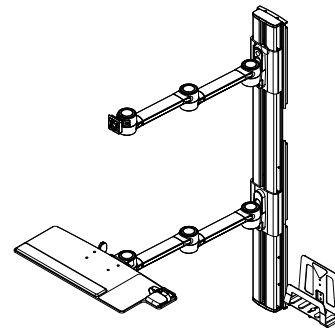


**V7-03-XX\***

\$1010

V75611XXK2SHPWXXXXX

56" Track, Single Monitor, Single Link (Max Capacity 30 lbs),  
Dual Link Keyboard Arm, Standard Healthcare Platform  
with Strap-Style Mouse Holder, White, No CPU Holder



**V7-04-XX\***

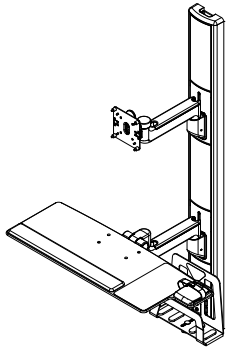
\$1105

V75612XXK2SHPWXXXXW

56" Track, Single Monitor, Dual Link (Max Capacity 27 lbs),  
Dual Link Keyboard Arm, Standard Healthcare Platform  
with Strap-Style Mouse Holder, White, CPU Holder

\*XX denotes monitor weight.

## V6 Standard Common Configurations

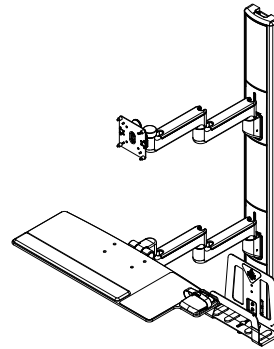


**V6471**

\$725

V64710K1SHPWXXXXTXX

47" Track, One Single Straight Link M8 Monitor Arm, One Single Straight Link M8 Arm, Standard Healthcare Platform (26.25" x 11.5") with Strap-Style Mouse Holder, White, Track-Mounted CPU Holder, Single Accessory Mount

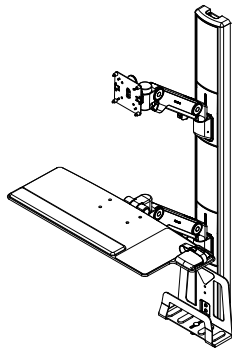


**V6472**

\$780

V64720K3SHPWXXXXTXX

47" Track, Two Straight Links M8 Monitor Arm, Two Straight Links M8 Arm, Standard Healthcare Platform (26.25" x 11.5") with Strap-Style Mouse Holder, White, Track-Mounted CPU Holder, Single Accessory Mount

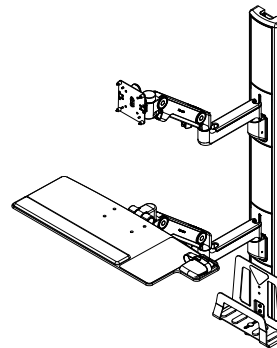


**V6473**

\$895

V647N1K0SHPWXXXXTXX

47" Track, One Dynamically Adjustable Single-Link M8 Monitor Arm, One Dynamically Adjustable Single-Link M8 Arm, Standard Healthcare Platform (26.25" x 11.5") with Strap-Style Mouse Holder, White, Track-Mounted CPU Holder, Single Accessory Mount



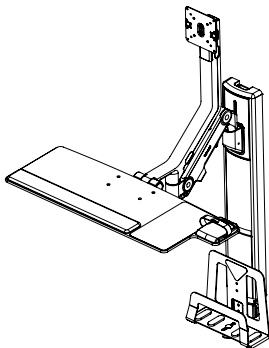
**V6474**

\$950

V64711K2SHPWXXXXTXX

47" Track, One Straight Link/One Single Dynamic Link M8 Adjustable Monitor Arm, One Straight Link/One Single Dynamic Link M8 Adjustable Arm, Standard Healthcare Platform (26.25" x 11.5") with Strap-Style Mouse Holder, White, Track-Mounted CPU Holder, Single Accessory Mount

## V6 Solo Arm Common Configurations

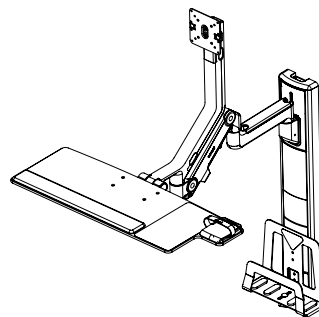


### **SOLO1**

\$865

V627A4SHPXXT

27" Track, Solo Arm with one Dynamic, Standard Healthcare Platform (26.25" x 11.5") with Strap-Style Mouse Holder, White, Track-Mounted CPU Holder, Single Accessory Mount



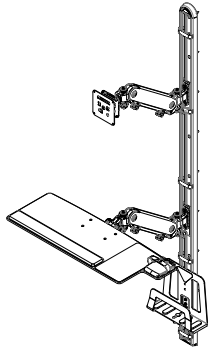
### **SOLO2**

\$895

V627A3SHPXXT

27" Track, Solo Arm with one Straight Arm and one Dynamic, Standard Healthcare Platform (26.25" x 11.5") with Strap-Style Mouse Holder, White, Track-Mounted CPU Holder, Single Accessory Mount

## V5 Common Configurations

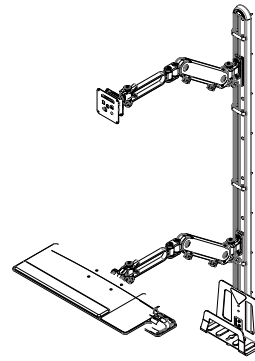


### V5M41

\$665

V5601BKBSHPWXXXXT

60" Track, One Dynamically Adjustable Single-Link M4 Monitor Arm, Dynamically Adjustable Single-Link M4 Arm, Standard Healthcare Platform (26.25" x 11.5") with Strap-Style Mouse Holder, White, CPU Holder

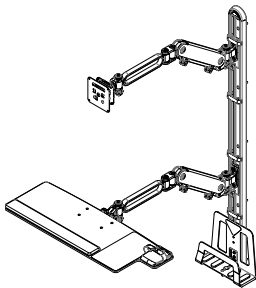


### V5M42

\$710

V5601AKASHPWXXXXT

60" Track, One Dynamically Adjustable Double-Link M4 Monitor Arm, Dynamically Adjustable Double-Link M4 Arm, Standard Healthcare Platform (26.25" x 11.5") with Strap-Style Mouse Holder, White, CPU Holder

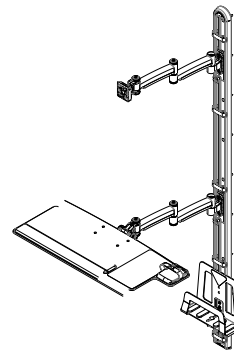


### V5M43

\$705

V5481AKASHPWXXXXT

48" Track, One Dynamically Adjustable Double-Link M4 Monitor Arm, Dynamically Adjustable Double-Link M4 Arm, Standard Healthcare Platform (26.25" x 11.5") with Strap-Style Mouse Holder, White, CPU Holder



### V5M44

\$515

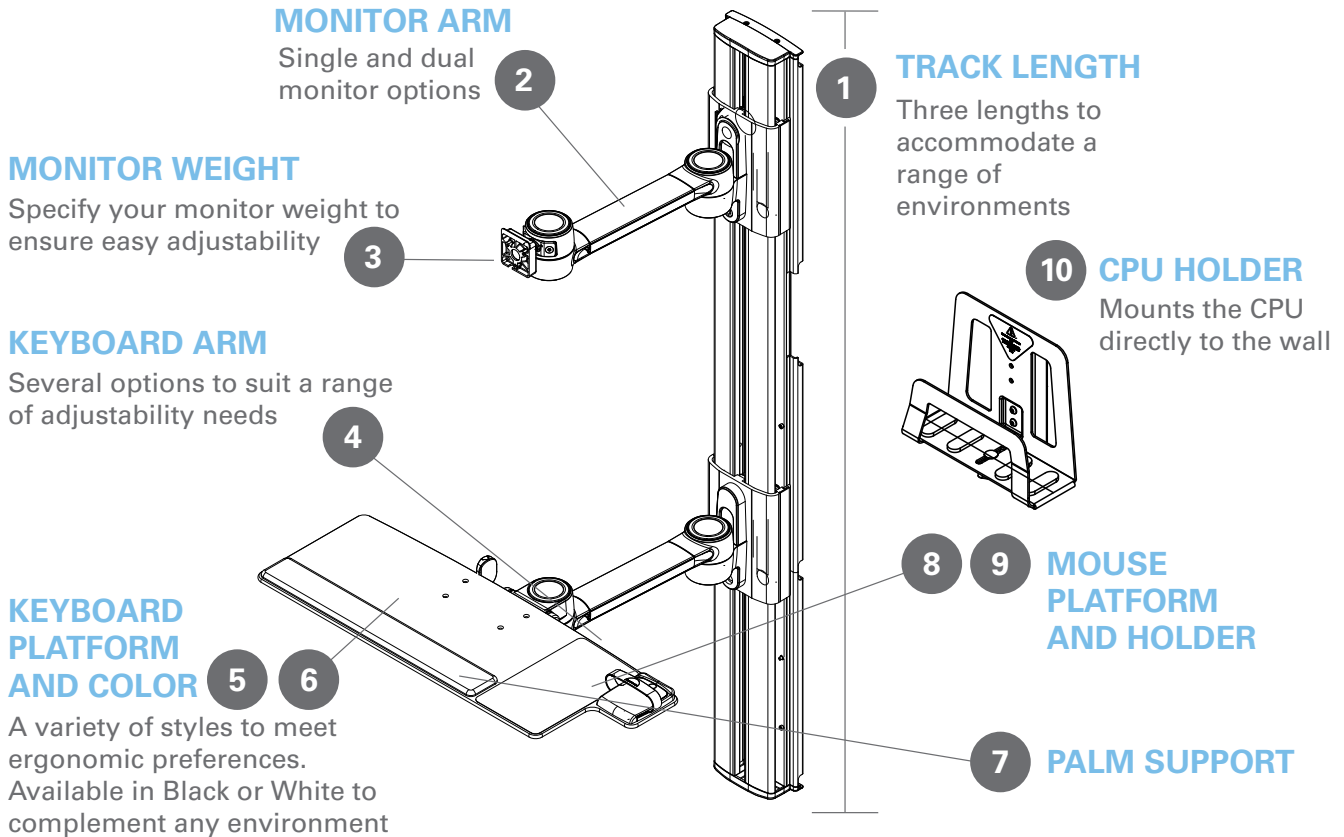
V56019K9SHPWXXXXT

60" Track, One Manually Adjustable M7 Monitor Arm with Two 8" Folding Links, Manually Adjustable M7 Arm with Two 8" Folding Links, Standard Healthcare Platform (26.25" x 11.5") with Strap-Style Mouse Holder, White, CPU Holder

# Build Your V7 Product Code

To determine the list price for your V7 solution, identify your choice for each component and build the product code as shown below. Add the prices for all the options selected.

PRODUCT GROUP	TRACK LENGTH	MONITOR ARM	MONITOR WEIGHT	KEYBOARD ARM	KEYBOARD PLATFORM	PLATFORM COLOR	PALM SUPPORT	MOUSE PLATFORM	MOUSE HOLDER	CPU HOLDER
V 7	1	2	3	4	5	6	7	8	9	10



## V7 Component Pricing Chart

COMPONENT	CODE	DESCRIPTION	LIST PRICE
<b>1 TRACK LENGTH</b>	36	36" Track <sup>1</sup> (can only be configured with 1 arm)	\$370
	48	48" Track <sup>1</sup>	400
	56	56" Track	415
<b>2 MONITOR ARM</b>	10	Ball Joint Only <sup>2</sup> – extends 9" from wall	135
	11	Single Monitor, Single Arm <sup>2</sup> – extends 22" from wall	190
	12	Single Monitor, Dual Arm <sup>4</sup> – extends 36" from wall	245
	20	Dual Monitor, No Arm, Ball Joint with Crossbar <sup>5</sup> – extends 9" from wall	185
	XX	No Monitor Arm	-
<b>3 MONITOR WEIGHT</b>	-	Provide the Total Monitor Weight in Pounds	-
<b>4 KEYBOARD ARM</b>	K0	No Arm – keyboard mounts directly to track – extends 19" from wall	160
	K1	Single Link Arm – extends 33" from wall	210
	K2	Dual Link Arm – extends 47" from wall	265
	XX	No Keyboard Arm	-
<b>5 KEYBOARD PLATFORM</b> <small>*When this option is chosen, select "None" for palm support, mouse platform and mouse holder.</small>	SHP*	Standard Healthcare Platform (with Palm Support & Mouse Holder)	140
	PHP	Plain Healthcare Platform (without standard components)	100
	100*	23.36 X 11.62 (with Palm Support & Mouse Holder)	150
	101	(100 Board without standard components)	100
	900	19" X 10.6"	60
	550	25" X 10.6"	80
	500	27" X 10.6"	80
	680	550 board with Mouse Holder, 25" Gel Palm Support	128
	708	19" X 10.6" – non skid pads only	104
	715	23" X 12" – Mouse Holder, Drawer Pull, No Palm Support	139
	720	550 Board with Mouse Holder and 19" Gel Palm Support	128
723	Work surface/slide out keyboard, 21.6" X 12.8" X 3", Gel Palm Support Dual Mouse Holders	200	
726	Work surface/slide out keyboard, 21.6" X 12.8" X 2.1", Gel Palm Support, Mouse Holder	200	
XXX	No Keyboard Platform	-	
<b>6 PLATFORM COLOR</b>	B	Black (available on 900, 550 and 500 platforms)	-
	W	White	-
<b>7 PALM SUPPORT</b>	F	Foam Palm Support	30
	G	Gel Palm Support	50
	S	Slim Profile Palm Support (Adhesive bottom)	30
	X	None	-
<b>8 MOUSE PLATFORM</b>	SR	8" Swivel Right	50
	SL	8" Swivel Left	50
	DS	8" Swivel Dual	100
	XX	None	-
<b>9 MOUSE HOLDER</b>	S	Standard Mouse Bracket	55
	A	Angled Mouse Bracket	45
	V	Velcro Mouse House	45
	X	None	-
<b>10 CPU HOLDER</b>	W	Wall-mounted CPU Holder	40
	X	No CPU Holder	-

1 Available Q4 2012

2 Max capacity = 33 lbs.

3 Max capacity = 30 lbs.

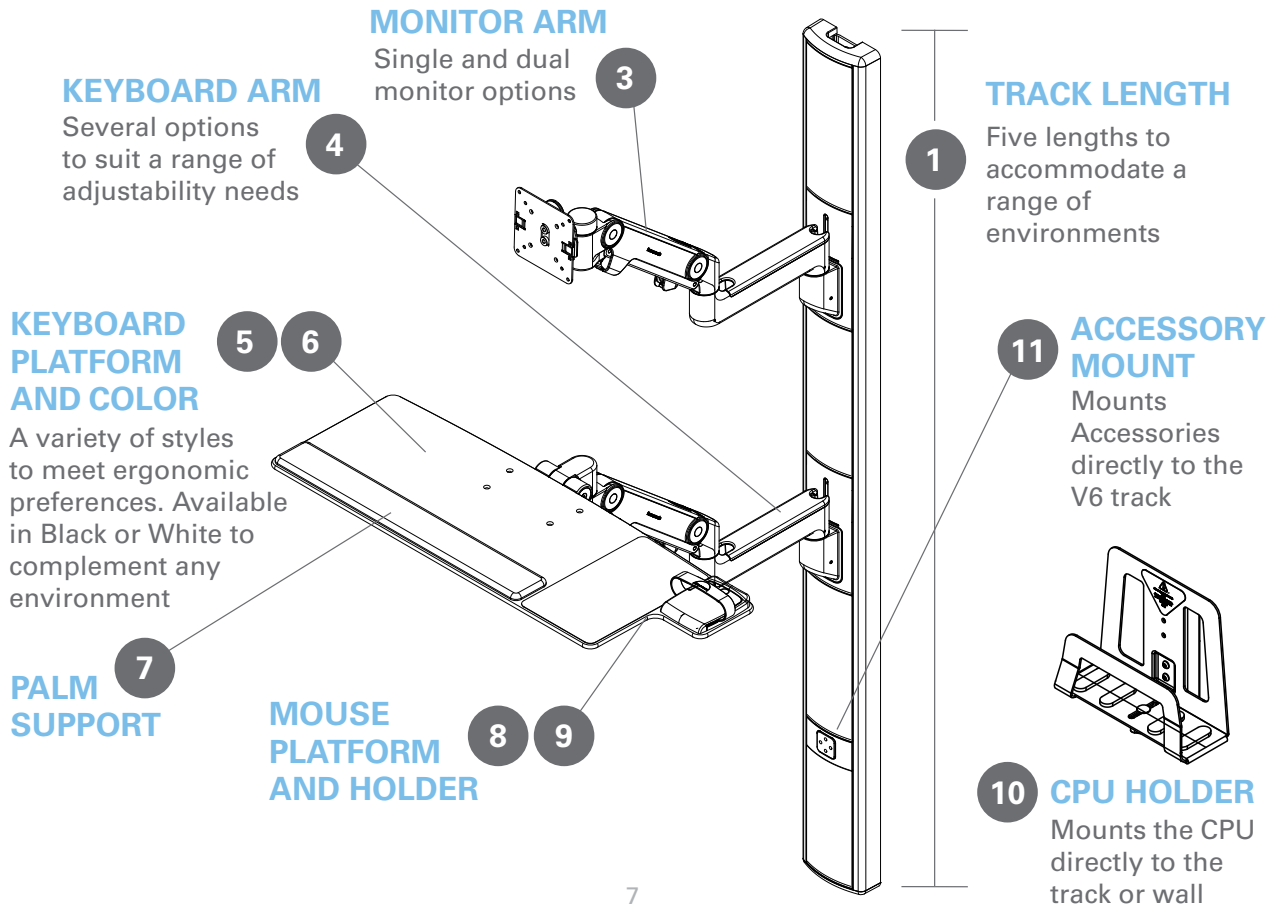
4 Max capacity = 27 lbs.

5 Max capacity = 29 lbs. (includes both monitors)

# Build Your V6 Product Code

To determine the list price for your V6 solution, identify your choice for each component and build the product code as shown below. Add the prices for all the options selected.

PRODUCT GROUP	TRACK LENGTH	SOLO ARM	MONITOR ARM	KEYBOARD ARM	KEYBOARD PLATFORM	PLATFORM COLOR	PALM SUPPORT	MOUSE PLATFORM	MOUSE HOLDER	CPU HOLDER	ACCESSORY MOUNT	SOLO ARM OPTIONS
V 6	1	2	3	4	5	6	7	8	9	10	11	12
---	---	---	---	---	---	---	---	---	---	---	---	---



## V6 Component Pricing Chart

COMPONENT	CODE	DESCRIPTION	LIST PRICE
<b>1 TRACK LENGTH</b>	27	27" Track	\$335
	37	37" Track	355
	47	47" Track	375
	57	57" Track	395
<b>2 SOLO ARM</b> If choosing this option, skip the monitor and keyboard arm sections.	S1	Solo Arm directly mounted to V6 Track – extending 26" from wall	180
	S2	Solo Arm and 2 Straight Arms – extending 35" from wall	270
	S3	Solo Arm and 1 Dynamic Arm – extending 29" from wall	325
	S4	Solo Arm and 1 Straight Arm and 1 Dynamic Arm – extending 38" from wall	355
<b>3 MONITOR ARM</b>	N0	Ball Joint Only – extends 6" from wall	55
	N1	Single Monitor – One Dynamic Arm – extends 18" from wall	145
	10	Single Monitor – One Straight Arm – extends 15" from wall	60
	11	Single Monitor – One Straight Arm / One Dynamic Arm – extends 27" from wall	175
	20	Single Monitor – Two Straight Arms – extends 23" from wall	90
	2A	2 Monitors – Crossbar with Single Straight / Single Dynamic Arm – extends 27" from wall	255
	XX	No Monitor Arm	-
<b>4 KEYBOARD ARM</b>	KN	No Arm – Keyboard mounts directly to track – extends 17" from wall	80
	K0	Single Dynamic Link – extends 28" from wall	170
	K1	Single Straight Link – extends 25" from wall	85
	K2	Single Straight Link / Single Dynamic Link – extends 37" from wall	195
	K3	Two Straight Links – extends 33" from wall	110
	XX	No Keyboard Arm	-
<b>5 KEYBOARD PLATFORM</b> *When this option is chosen, select "None" for palm support, mouse platform and mouse holder.	SHP*	Standard Healthcare Platform (with Palm Support & Mouse Holder)	140
	PHP	Plain Healthcare Platform (without standard components)	100
	100*	23.36 X 11.62 (with Palm Support & Mouse Holder)	150
	101	(100 Board without standard components)	100
	900	19" X 10.6"	60
	550	25" X 10.6"	80
	500	27" X 10.6"	80
	680	550 board with Mouse Holder, 25" Gel Palm Support	128
	708	19" X 10.6" – non skid pads only	104
	715	23" X 12" – Mouse Holder, Drawer Pull, No Palm Support	139
	720	550 Board with Mouse Holder and 19" Gel Palm Support	128
	723	Work surface/slide out keyboard, 21.6" X 12.8" X 3", Gel Palm Support Dual Mouse Holders	200
	726	Work surface/slide out keyboard, 21.6" X 12.8" X 2.1", Gel Palm Support, Mouse Holder	200
	XXX	No Keyboard Platform	-

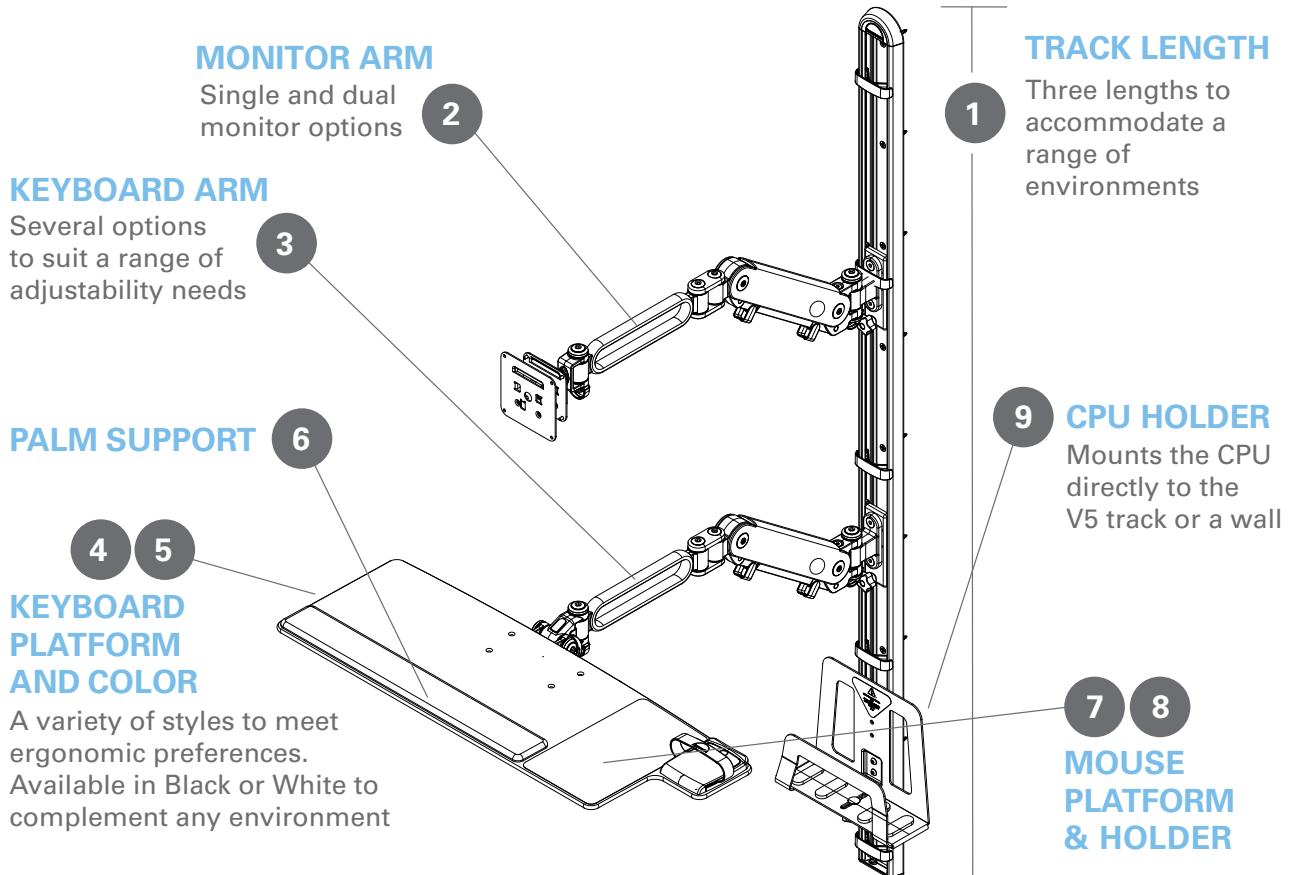
## V6 Component Pricing Chart (cont.)

COMPONENT	CODE	DESCRIPTION	LIST PRICE
<b>6 PLATFORM COLOR</b>	B	Black (available on 900, 550 and 500 platforms)	-
	W	White	-
<b>7 PALM SUPPORT</b>	F	Foam Palm Support	30
	G	Gel Palm Support	50
	S	Slim Profile Palm Support (Adhesive bottom)	30
	X	None	-
<b>8 MOUSE PLATFORM</b> Swivel options only available on 900 Board	SR	8" Swivel Right	50
	SL	8" Swivel Left	50
	DS	8" Swivel Dual	100
	XX	None	-
<b>9 MOUSE HOLDER</b>	S	Standard Mouse Bracket	55
	A	Angled Mouse Bracket	45
	V	Velcro Mouse House	45
	X	None	-
<b>10 CPU HOLDER</b>	W	Wall-Mounted CPU Holder	40
	T	Track Mounted CPU Holder (includes Accessory mount)	65
	X	No CPU Holder	-
<b>11 ACCESSORY MOUNT</b>	1A	Single Accessory Mount	25
	XX	No Accessory Mount	-
<b>12 SOLO ARM OPTIONS</b>	B	Ball Joint	30
	U	UFEA	61
	M	Mid-Mount option for Solo Arm	25
	X	None	x

# Build Your V5 Product Code

To determine the list price for your V5 solution, identify your choice for each component and build the product code as shown below. Add the prices for all the options selected.

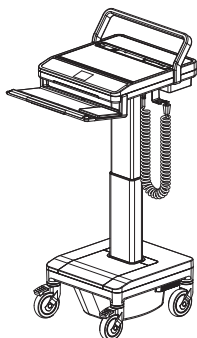
PRODUCT GROUP	TRACK LENGTH	MONITOR ARM	KEYBOARD ARM	KEYBOARD PLATFORM	PLATFORM COLOR	PALM SUPPORT	MOUSE PLATFORM	MOUSE HOLDER	CPU HOLDER
V 5	1	2	3	4	5	6	7	8	9



## V5 Component Pricing Chart

COMPONENT	CODE	DESCRIPTION	LIST PRICE
<b>1 TRACK LENGTH</b>	36	36" Track	\$135
	48	48" Track	140
	60	60" Track	145
<b>2 MONITOR ARM</b>	10	One Ball Joint on Slider- extends 6' from wall.	35
	19	Single Monitor – Manually adjustable - Two M7 8-inch Folding Arms – extends 21.7" from wall	70
	1A	Single Monitor – Single Dynamic M4 Arm / Single Straight M4 Arm - extends 30" from wall	175
	1B	Single Monitor – Single Dynamic M4 Arm – extends 19" from wall	150
	29	2 Monitors – Two M7 Arms with Two 8-inch Folding Arms – extends 21.7" from wall	165
	2A	2 Monitors – Two Dynamic M4 Arms / Single Straight M4 Arms – extends 30" from wall.	375
	2B	2 Monitors – Two Dynamic M4 Arms – extends 19" from wall	335
	XX	No Monitor Arm	-
<b>3 KEYBOARD ARM</b>	K0	Flip-Up keyboard Tray Bracket – extends 18" from wall	60
	K9	Manually Adjustable Arm with Two M7 8-inch Folding Arms – extends 33.7" from wall	105
	KA	Single Dynamic M4 Arm / Single Straight M4 Arm – extends 42" from wall	195
	KB	Single Dynamic M4 Arm – extends 31" from wall	175
	XX	No Keyboard Arm	-
<b>4 KEYBOARD PLATFORM</b>	SHP*	Standard Healthcare Platform (with Palm Support & Mouse Holder)	140
	PHP	Plain Healthcare Platform (without standard components)	100
	100*	23.36 X 11.62 (with Palm Support & Mouse Holder)	150
	101	(100 Board without standard components)	100
	900	19" X 10.6"	60
	550	25" X 10.6"	80
	500	27" X 10.6"	80
	680	550 board with Mouse Holder, 25" Gel Palm Support	128
	708	19" X 10.6" – non skid pads only	104
	715	23" X 12" – Mouse Holder, Drawer Pull, No Palm Support	139
	720	550 Board with Mouse Holder and 19" Gel Palm Support	128
	723	Work surface/slide out keyboard, 21.6" X 12.8" X 3", Gel Palm Support Dual Mouse Holders	200
	726	Work surface/slide out keyboard, 21.6" X 12.8" X 2.1", Gel Palm Support, Mouse Holder	200
XXX	No Keyboard Platform	-	
<b>5 PLATFORM COLOR</b>	B	Black (available on 900, 550 and 500 platforms)	-
	W	White	-
<b>6 PALM SUPPORT</b>	F	Foam Palm Support	30
	G	Gel Palm Support	50
	S	Slim Profile Palm Support (Adhesive bottom)	30
	X	None	-
<b>7 MOUSE PLATFORM</b>	SR	8" Swivel Right	50
	SL	8" Swivel Left	50
	DS	8" Swivel Dual	100
	XX	None	-
<b>8 MOUSE HOLDER</b>	S	Standard Mouse Bracket	55
	A	Angled Mouse Bracket	45
	V	Velcro Mouse House	45
	X	None	-
<b>9 CPU HOLDER</b>	W	Wall-Mounted CPU Holder	40
	T	Track-Mounted CPU Holder	55
	X	No CPU Holder	-

## T7 Laptop Common Configurations

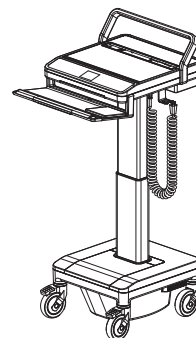


**T7 - LTCRT - SLA**

\$3,450

T71NNSP1L

T7 Laptop Cart with Auto-fit, NA Power System, NA Power Input, SLA Battery, PowerTrack, Laptop Gantry and Laptop Work Surface

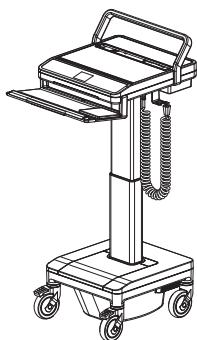


**T7 - LTCRT - SLA - NP**

\$3,150

T71NNS-1L

T7 Laptop Cart with Auto-fit, NA Power System, NA Power Input, SLA Battery, No PowerTrack, Laptop Gantry and Laptop Work Surface

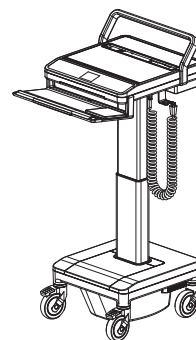


**T7 - LTCRT - L**

\$4,800

T72NNLP1L

T7 Laptop Cart with Auto-fit, NA Power System, NA Power Input, LiFe Battery, PowerTrack, Laptop Gantry and Laptop Work Surface



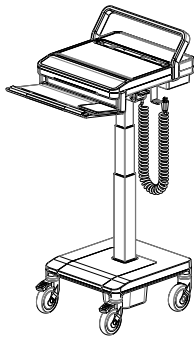
**T7 - LTCRT - L - NP**

\$4,500

T72NNL-1L

T7 Laptop Cart with Auto-fit, NA Power System, NA Power Input, LiFe Battery, No PowerTrack, Laptop Gantry and Laptop Work Surface

## T7 Non-Powered Common Configurations

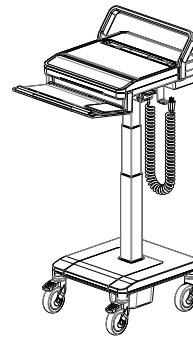


**T7 - NPCRT-1L**

\$1,260

T75-N—1L

T7 Non-Powered Cart, NA Power Input, Laptop Gantry and Laptop Work Surface

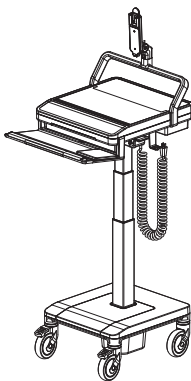


**T7-NPCRT-1P**

\$1,260

T75-N—1P

T7 Non-Powered Cart, NA Power Input, Laptop Gantry and PC Surface

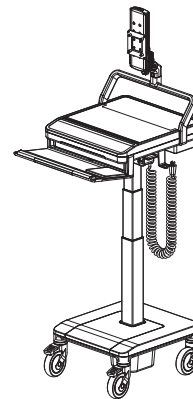


**T7-NPCRT-2P**

\$1,310

T75-N—2P

T7 Non-Powered Cart, NA Power Input, PC Gantry and PC Surface



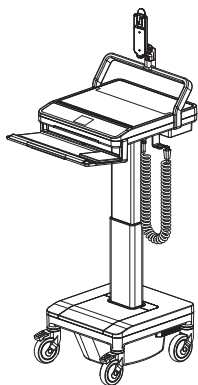
**T7-NPCRT - 3P**

\$1,360

T75-N—3P

T7 Non-Powered Cart, NA Power Input, PC Gantry with UFEA and PC Surface

## T7 Powered PC Common Configurations

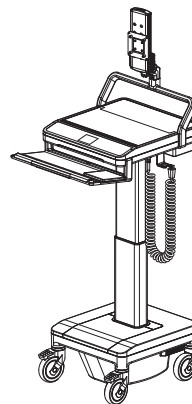


**T7 - PCCRT - SLA - 2P**

\$3,600

T73NNSP2P

T7 PC Cart with Auto-fit, NA Power System, NA Power Input, SLA Battery, PowerTrack, PC Gantry and PC Work Surface

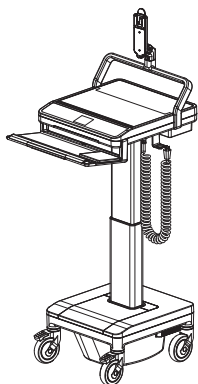


**T7 - PCCRT - SLA - 3P**

\$3,650

T73NNSP3P

T7 PC Cart w/ Auto-fit, NA Power System, NA Power Input, SLA Battery, PowerTrack, PC Gantry w/ UFEA and PC Work Surface

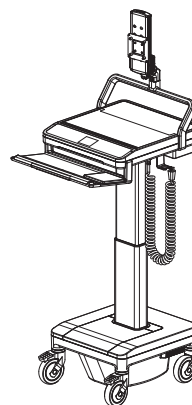


**T7 - PCCRT - SLA - NP - 2P**

\$3,300

T73NNS-2P

T7 PC Cart w/ Auto-fit, NA Power System, NA Power Input, SLA Battery, No PowerTrack, PC Gantry and PC Work Surface



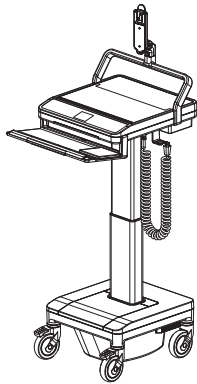
**T7 - PCCRT - SLA - NP - 3P**

\$3,350

T73NNS-3P

T7 PC Cart w/ Auto-fit, NA Power System, NA Power Input, SLA Battery, No PowerTrack, PC Gantry w/ UFEA and PC Work Surface

## T7 Powered PC Common Configurations (cont.)

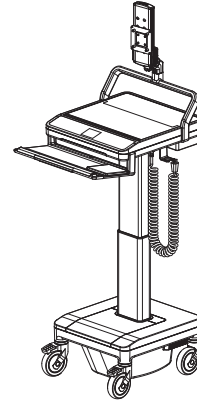


**T7-PCCRT - L - 2P**

\$5,000

T74NNLP2P

T7 PC Cart with Auto-fit, NA Power System, NA Power Input, LiFe Battery, PowerTrack, PC Gantry and PC Work Surface

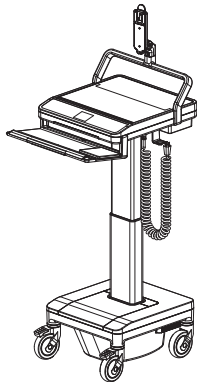


**T7 - PCCRT - L - 3P**

\$5,000

T74NNLP3P

T7 PC Cart with Auto-fit, NA Power System, NA Power Input, LiFe Battery, PowerTrack, PC Gantry with UFEA and PC Work Surface

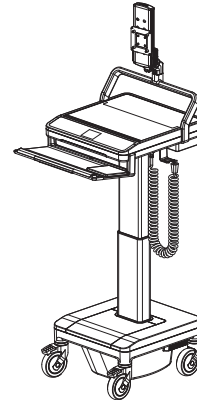


**T7-PCCRT - L - NP - 2P**

\$4,650

T74NNL-2P

T7 PC Cart with Auto-fit, NA Power System, NA Power Input, LiFe Battery, No PowerTrack, PC Gantry and PC Work Surface



**T7 - PCCRT - L - NP - 3P**

\$4,700

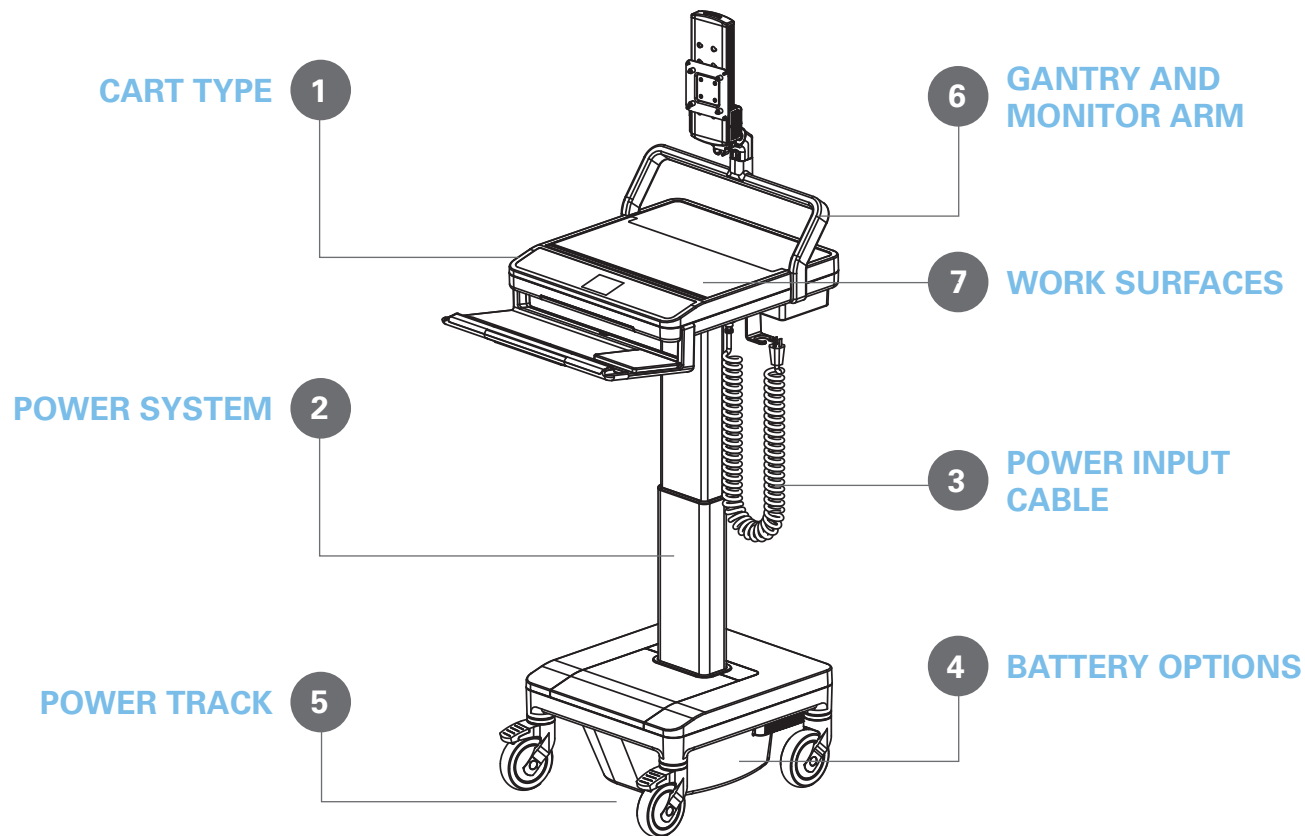
T74NNL-3P

T7 PC Cart with Auto-fit, NA Power System, NA Power Input, LiFe Battery, No PowerTrack, PC Gantry with UFEA and PC Work Surface

# Build Your T7 Product Code

To determine the list price for your T7 solution, identify your choice for each component and build the product code as shown below. Add the prices for all the options selected.

PRODUCT GROUP	CART TYPE	POWER SYSTEM	POWER INPUT CABLE	BATTERY OPTIONS	POWER TRACK	GANTRY AND MONITOR ARM	WORK SURFACES
T 7	1	2	3	4	5	6	7



## T7 Component Pricing Chart

COMPONENT	CODE	DESCRIPTION	LIST PRICE
<b>1 CART TYPE</b>	1	Powered Laptop Cart (SLA) with Auto-fit	\$2450
	2	Powered Laptop Cart (Lithium) with Auto-fit	3300
	3	Powered PC Cart (SLA) with Auto-fit	2550
	4	Powered PC Cart (Lithium) with Auto-fit	3400
	5	Non- Powered Cart	1060
<b>2 POWER SYSTEM</b>	N	North America = 110V System	0
	I	International = 230V System	55
	-	No Power System	-
<b>3 POWER INPUT CABLE</b>	N	North America	0
	J	Japan	0
	A	Australia	0
	B	Great Britain	0
	C	China	0
	E	Europe	0
	-	No Power Cable	-
<b>4 BATTERY OPTIONS</b>	L	Lithium Battery	1000
	S	SLA Battery	500
	-	No Battery	-
<b>5 POWER TRACK</b>	P	Power Track	300
	-	No Power Track	-
<b>6 GANTRY AND MONITOR ARM</b>	1	Laptop Gantry	100
	2	PC Gantry with Monitor Arm	150
	3	PC Gantry with Monitor Arm and UFEA	200
<b>7 WORK SURFACES</b>	L	Laptop Work Surface	100
	P	PC Work Surface	100

# **Healthcare**

---

## Accessories

## T7 Accessories Pricing Chart

ITEM NUMBER	DESCRIPTION	LIST PRICE
T7-U-SC-BKT	Universal Scanner Bracket	\$50
T7-U-BSKT	Utility Basket	95
T7-P-SHLF	Printer Shelf	100
T7-G-B-HLD	Glove Box Holder	75
T7-SP-CNTR	Sharps Container	75
T7-EXCPU-HLD	External CPU Holder	175

## Healthcare Accessories Pricing Chart

ITEM NUMBER	DESCRIPTION	LIST PRICE
MCKMBW	Backlit Really Cool Keyboard - White, with HS Logo (RCK/BKL/G2)	\$280
MCKMBB	Backlit Really Cool Keyboard - Black, with HS Logo (RCK/BKL/B2)	325
MCMMW	Mighty Mouse 5 - White, with HS Logo (MMOUSE5/G1)	95
MCMMB	Mighty Mouse 5 - Black, with HS Logo (MMOUSE5/B1)	95
MCNBKMBW	Really Cool Keyboard - Black, with HS Logo, non-backlit (RCK/B2)	215
MCNBKMBB	Really Cool Keyboard - White, with HS Logo, non-backlit (RCK/G2)	215
BCKIW	B Cool Keyboard Island - Style Keyboard - White	75
BCKIB	B Cool Keyboard Island - Style Keyboard - Black	75
UCWW	U Cool Washable Standard Keyboard - White	75
UCWB	U Cool Washable Standard Keyboard - Black/Sliver	75
RCTW	Really Cool Touch - White	315
RCTMW	Really Cool Touch - White with MagFix - magnetic attachment system	315
RCTWB3	Really Cool Touch - White with Backlight - 3 - way illumination	380
RCTWMB	Really Cool Touch - White with MagFix & Backlight	400
RCTB	Really Cool Touch - Black	315
RCTMB	Really Cool Touch - Black with MagFix - magnetic attachment system	315
RCTBB3	Really Cool Touch - Black with Backlight - 3 - way illumination	445
RCTBMB	Really Cool Touch - Black with MagFix & Backlight	465
RCLW	Really Cool LP - White	225
RCLWM	Really Cool LP - White with MagFix - magnetic attachment system	245
RCLWB3	Really Cool LP - White with Backlight - 3 - way illumination	290
RCLWMB	Really Cool LP - White with MagFix & Backlight	310
RCLB	Really Cool LP - Black	225
RCLBM	Really Cool LP - Black with MagFix - magnetic attachment system	245
RCLBB3	Really Cool LP - Black with Backlight - 3 - way illumination	355
RCLBMB	Really Cool LP - Black with MagFix & Backlight	375
RCPMW	Petite Mouse Optical 5 Button Mouse - White	100
RCPMB	Petite Mouse Optical 5 Button Mouse - Black	100

## Healthcare Accessories Pricing Chart (cont.)

ITEM NUMBER	DESCRIPTION	LIST PRICE
MC-LS1001001	Adapter, Single, Snap-Action, Drilled and Countersunk (2 Vertical holes)	\$35
MC-LS1001012	Adapter, Double, Snap-Action, Drilled and Countersunk (2 Horizontal holes)	45
MC-LS500220	Adapter, Double for Wire Basket, Humanscale Plastic Utility Container and Metal Wipes Holder	75
MC-LS1001020	Adapter to mount Rail to V-5 slide, includes hardware	80
MC-LS500215	18" Heavy Duty Rail, includes inlay	55
MC-LS1002012	Heavy Duty Rail, 1'	55
MC-LS1002024	Heavy Duty Rail, 2'	70
MC-LS1002036	Heavy Duty Rail, 3'	90
MC-LS1002P01	Heavy Duty Rail End Cap, Hard Plastic	10
MC-LS1009001	Shelf, Flat, 10" Wide x 8" Deep	220
MC-LS1009002	Shelf, Flat (10" x 13"), Silver	250
MC-LS1009004	Shelf, Flat (19" x 13"), Silver	400
MC-LS1009005	Shelf, Angled, 8" Wide x 8" Deep	240
MC-LS1009006	Shelf, Angled (13" x 8"), Silver	270
MC-LS1009007	Shelf, Hinged (9" x 12"), Silver	325
MC-LS1009008	Shelf, Hinged (13-1/2" x 10"), Silver	345
MC-LS1009011	Mayo Tray, Hinged, 17 5/8"W x 11 5/8" D	440
MC-LS1009100	Worxx Fold Up Shelf (10" x 15")	420
MC-LS1009102	Worxx Compact Fold Up Shelf (8" x 12")	420
MC-LS1011001	Basket, Utility	130
MC-LS1011002	Basket, Fixed, 10" Wide x 6" Deep x 4" High	110
MC-LS1011003	Basket, Fixed, 18" Wide x 9" Deep x 4" High, W/3 Dividers	165
MC-LS1013001	Holder, Chart	185
MC-LS1013002	Holder, Glove Box, 1 Box	175
MC-LS1013003	Holder, Glove Box, 2 Boxes, Silver	200
MC-LS1013009	Holder, Sharps Container, Universal Style	145
MC-LS1013013	Holder, Utility Hook, 1 Hook	75
MC-LS1013014	Holder, Utility Hook, 3 Hook	155
MC-LS1013021	Holder, Waste Basket, Silver	190
MC-LS1013022	Holder, Pole, Universal, Silver	210
MC-LS1013026	Holder, Cord Wrap, Silver	75
MC-LS1013029	Holder (6 Clip Organizer)	140

## Healthcare Accessories Pricing Chart (cont.)

ITEM NUMBER	DESCRIPTION	LIST PRICE
MC-LS1013034	Holder, Glove Box, 3 Boxes, Adjustable Position	\$345
MC-LS1013041	Holder, Kendall Sharps Container	130
MC-LS1013050	Holder, Rail Mount: PDI Sani Cloth, Metal Holder by others	45
MC-LS1013055	Holder, Rail Mount: 3M Avagard D Hand Antiseptic with Moisturizers	95
MC-LS1013070	Holder,Rail Mount: Purell Hand Pump	75
MC-LS1013111	Holder, Adjustable Container, for Rail Mounting	105
MC-LS1013113	Holder, Utility Hook, (1 Hook with 3 Clips)	95
MC-LS1013121	Holder, Hand Cleaner, for Rail Mounting	95
MC-LS1014003	Infusion Pump Holder, Fixed Single, Dual Rail Mount (36" x 20" Pole, 3 Hooks)	490
MC-LS1014004	Infusion Pump Holder, Fixed Single, Dual Rail Mount (48" x 20" Pole, 3 Hooks)	520
MC-LS1014005	Infusion Pump Holder, Fixed Single, Single Rail Mount(16" x 10" Pole, 3 Hooks)	405
MC-LS1014P06	Holder, Single Pole, 36" Long with 20" IV Pole and 3-Hook Hanger	415
MC-LS1015001	Lamp Holder	100
MC-LS1015003	Holder, Waldman, Euro Style Lamp	130
MC-LS1018S01	Holder, Steris Germicidal Surface Wipes, 1608-65, Rail	65
MC-LS1018S02	Holder, Steris 17oz All Care, 6399-90, Rail Mount	65
MC-LS1018S03	Holder, Steris 9oz All Care, 6399-36, Rail Mount	65
MC-LS1018S05	Holder, Rail Mount: Steris Cal-Stat	65

# Humanscale Terms and Conditions

*THE FOLLOWING TERMS & CONDITIONS APPLY TO ALL HUMANSCALE PRODUCTS EFFECTIVE SEPTEMBER 1, 2012.*

## TERMS OF PAYMENT

Upon approved credit, terms of payment are net 30 from date of shipment. Deposits may be required for large or custom orders. The processing of orders and/or shipment of orders placed may be delayed if the deposit is not received with the order or if customer's account is in "Past Due" status.

## CREDIT POLICY

All customers of Humanscale must complete a credit application, with current information, which must be signed by an owner or officer. A line of credit may be set by our Credit Department, however the basis for the line of credit may be changed or cancelled at our discretion and advance payment may be required. Any unpaid balance, upon which payments are not made according to the terms governing the sale, will be considered "Past Due" and will increase by a maximum of 2% per month, without forfeit of Humanscale's right to payment.

Any customer who has failed to pay for goods delivered or services rendered in a timely manner shall be liable for all fees, expenses, disbursements, and charges (including all legal costs) incurred by Humanscale in collecting monies owed, as well as interest (at 24% per annum).

## PURCHASE ORDERS

Purchase orders must include the following: "Bill To" and "Ship To" information—Company Name (Ship To company may be end user or installation company), Address, Telephone, Fax, Contact Person; End User Company Name; Requested Ship Date; Purchase Order Number; Special Delivery instructions including lift gate requirements and dock hours, Shipping and Packing Instructions (if applicable); Proper Discount Off Current List Price, Product Quantities and Full Model Numbers; and Total (List/Net).

## ORDER CHANGES AND CANCELLATIONS

All changes to or cancellations of orders placed with Humanscale must be in writing and sent to Customer Service. Orders may be changed or cancelled without penalty if Humanscale is notified at least two (2) weeks before the scheduled ship date for standard orders (under 250 units), or at least three (3) weeks before the scheduled ship date for large orders (250 units or more). Order changes or cancellations made less than two (2) weeks before the scheduled ship date for standard orders or less than three (3) weeks before the scheduled ship date for large orders will incur a minimum change/cancellation fee of 10% of net. Irrespective of when notified, changes or cancellations are not binding upon Humanscale until Humanscale issues a written acknowledgment of the change or cancellation. Order changes are defined as the deletion of line items; changes in style, color, quantity or requested ship date; or ship-to address changes. Order changes that result in a quantity reduction may be subject to an additional small order fee or adjustment in pricing. Under no circumstances will changes or cancellations be accepted on any custom accessories, special order or custom product orders.

## TAXES

Humanscale list prices do not include sales tax. Customer is responsible to remit all such tax. Humanscale requires a State Resale/Exemption Certification to be on file at its main office. Sales made without said Certificate will be charged the appropriate sales tax.

## PRICES

All discounts and list prices are subject to change without notice. Prices are those in effect at the time of order entry. If the requested shipment date is more than 90 days after the order date, Humanscale reserves the right to price said order based on the published list price as of the shipment date.

## SHIPPING AND DELIVERY

All Humanscale orders are acknowledged with a promise date (scheduled ship date) based on the product with the longest lead time. Large orders may increase standard lead times. Standard shipping charges will be billed to customer.

Mobile Technology Cart and Wall Mount orders, unless otherwise specified, will ship 3 to 5 weeks from the date of the order. Unless otherwise specified by the customer, Mobile Technology Carts will ship without the requested accessories assembled prior to shipping. Special or custom orders ship 4 to 6 weeks from the date of the order.

## Ship Sets

All products ordered on a single purchase order will be delivered together in a single ship set. To break a ship set, customers must indicate "Ship as Available" on the purchase order. Upon request, customer accounts may be defaulted to ship all orders on an as-available basis.

## Shipping Instructions:

Humanscale will attempt to accommodate basic shipping instructions, such as "call before delivery" or "deliver before 12:00 p.m." if clearly identified on the purchase order as "Shipping Instructions." Dock hours, lift gate requirements and receiving contact information is required on all purchase orders upon submission.

Packing Instructions: Humanscale will attempt to accommodate basic packing instructions for internal delivery of specific items on an order, such as "Deliver to Joe Smith" or "Deliver to cube #218," if clearly identified on the purchase order as "Packing Instructions."

## DELIVERY SHORTAGES

Product shortages must be noted at the time of delivery and reported to the carrier for correction. Claims against Humanscale for shortages, errors, etc., must be made in writing and within ten (10) business days of the date of delivery or customer waives its right to make such a claim.

## FREIGHT CLAIMS

Humanscale will file all F.O.B. destination claims. In order to receive credit, customer agrees to cooperate and assist in the procedures set out by the carrier and Humanscale.

### EXTERNAL DAMAGE

If the shipping container shows any external damage, customer is instructed to refuse the product at time of delivery. If it is a multiple piece shipment, customer may refuse only the damaged items. Humanscale will not issue full credit for returned product unless customer takes the following action steps:

1. Note damage on the delivery receipt at time of delivery.
2. Refuse product at time of delivery.
3. Contact Humanscale Customer Service within 24 hours of the attempted delivery and advise them of the damage.
4. Enter a chargeable replacement order; credit will be issued after the disposition of damaged product is determined.

### CONCEALED DAMAGE/LOSS

If customer determines that there is internal damage not visible at time of delivery, customer will retain all packaging materials and take the following action steps within fifteen (15) calendar days from the date of delivery:

1. Request inspection by calling local freight carrier to report damage.
2. Retain merchandise in the original box.
3. Call your Humanscale Customer Service agent to provide order and product information.
4. Get a copy of the inspection report from carrier.
5. Enter a chargeable replacement order; credit will be issued after the disposition of damaged product is determined

### STORAGE

If a customer is unable to accept a scheduled product delivery, Humanscale, if notified in writing after product assembly and prior to the scheduled ship date, will store the product at customer's expense. Humanscale shall invoice customer for the product and monthly Storage Fees.

Storage Fees will be 1% of the net order value per month or actual storage costs—whichever is greater. Storage Fees are calculated with a one-month minimum and will not be pro-rated. If customer is unable to accept a scheduled product upon delivery, customer shall be responsible for placing the product in storage and bears the risk of loss. However, payment of the balance due is per Humanscale's Terms of Payment

### RETURN AUTHORIZATIONS AND REFUSALS

All returned and non-damaged refused orders are subject to a ten percent (10%) restocking fee. Special or custom order returns will not be accepted. Customer must request a Return Authorization through the Humanscale Customer Service Department within forty-five (45) days of product receipt to return any product. If Humanscale agrees to restock the product, customer must return it freight prepaid to Humanscale, F.O.B., to the original shipping point or as otherwise instructed by Humanscale Customer Service. If product is returned without a Return Authorization, Humanscale will notify customer of the unauthorized return and customer must provide instructions for its disposition within one week thereafter. Failure of customer to respond within one week will result in Humanscale's right to dispose of the product with no credit. Return Authorizations expire sixty (60) days after the date of issue. If the returned product is not in resalable condition, customer will not receive credit for the return. Customer must promptly provide a purchase order or other acceptance of fees/credit reduction as required.

### Healthcare Warranty

THE FOLLOWING WARRANTY IS IN LIEU OF ALL OTHER WARRANTIES EXPRESS OR IMPLIED, INCLUDING, BUT NOT LIMITED TO, THE IMPLIED WARRANTY OF MERCHANTABILITY AND FITNESS FOR A PARTICULAR PURPOSE AND ALL OTHER WARRANTIES ARISING FROM COURSE OF DEALING OR USAGE OF TRADE.

Humanscale offers the following warranties on its products:

PRODUCT	WARRANTY
Mobile Technology Carts, excluding power supply, battery, and ReadyFleet	5 years
Power Supply – TDI	1 year
Power Supply – Martek	1 year
Battery – TDI	1 year – extension to 2 years available IF customer installs and continuously uses ReadyFleet† within 60 days of receipt of Cart*. Enrollment in optional replacement battery program available at the time of purchase*
Battery – Deka (for Martek Power Supply)	90 days - enrollment in optional replacement battery program available at the time of purchase*
Wall Mounts	5 years
Really Cool Keyboards and Really Cool Mice	15 years
All Other Healthcare Products, Not Detailed in a Current Humanscale Price Guide	Varies; consult your Humanscale representative for details

\*The following will automatically void the battery warranty:

- Batteries left uncharged for ninety (90) consecutive days.
- Batteries fully discharged and left uncharged for more than three (3) consecutive days.
- Batteries discharged to less than 25% twenty-five (25) times over the life of the battery, as recorded by ReadyFleet†.

†ReadyFleet is an optional, advanced Fleet Management/Monitoring software system that may be purchased separately from the Mobile Technology Cart. Please speak with your Humanscale Sales Representative for more information and pricing.

This Warranty is applicable to the initial purchaser only and is non-transferable. If products are procured through authorized Humanscale Dealerships, the end-user customer must be registered with Humanscale for the warranty to be in effect. Humanscale warrants that, at the time of customer's receipt, the product will be in good working order and will be free from defects in material and workmanship. This Warranty does not apply to normal wear and tear or damage caused by accident, neglect, misuse or improper installation or operation. Humanscale will not be responsible for damage due to service, maintenance, modifications or tampering by anyone other than a Humanscale authorized representative. In the event a product is defective and Humanscale receives written notice of the defect within the Warranty period, Humanscale, at its option, will either repair or replace the defective product. This Warranty does not cover damage caused by a carrier or transportation of the product from one location to another, or alterations made by owner.

#### **LIMITATION OF LIABILITY**

Purchaser's remedies set forth herein are exclusive and the liability of Humanscale with respect to the breach of this agreement or any contract entered into between the parties pursuant hereto shall not exceed the price of the product or part on which such liability is based. In no event will Humanscale be liable to purchasers for any special, collateral, incidental or consequential damages however caused, whether by Humanscale's negligence or otherwise.

The remedies provided above are the purchaser's sole remedies for any failure of Humanscale to comply with its obligations regarding the workmanship of its products. Correction of any nonconformity in the manner and for the period of time provided shall constitute complete fulfillment of all liabilities of Humanscale, with respect to or arising out of the product furnished hereunder.

**Customer Service**

10 Inverness Drive East  
Suite 100  
Englewood, CO 80112  
800 400 0625  
303 858 9912  
303 858 9916 fax  
info@humanscale.com

**U.S. Headquarters**

11 East 26th Street  
8th Floor  
New York, NY 10010  
212 725 4749  
212 725 7545 fax

**International Headquarters**

13 Northburgh Street  
London  
EC1V 0JP  
United Kingdom  
+44 207 566 7990  
+44 207 566 7991 fax  
info@humanscale.co.uk

**[www.humanscalehealthcare.com](http://www.humanscalehealthcare.com)**

