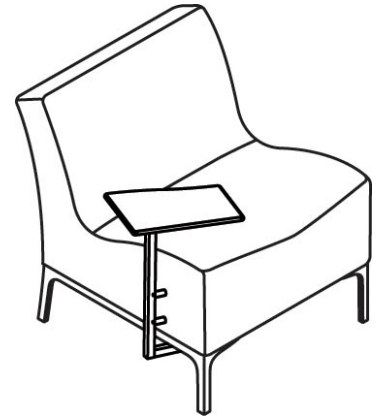




SPA900TBL SPA900TBR  
 SPG910TBL SPG910TBR

PLUS CHAIRS WITH TABLET ARM

Assembly Instructions

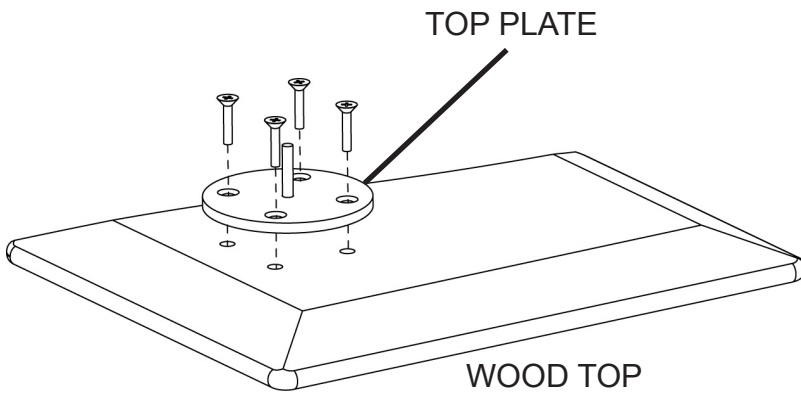


**PARTS LIST**

Qty.	Description
1	Chair with Tablet Base
1	Right Leg with Caster
1	Left Leg with Caster
1	Wood Tablet Top

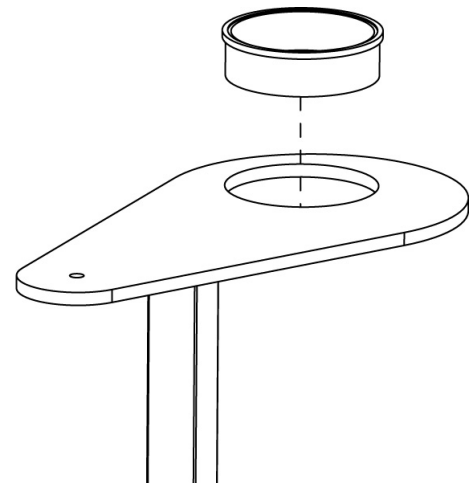
**HARDWARE LIST**

Ref.	Qty	Part #	Description
AA	1	022-2705	Top Plate Assembly
BB	4	030-0945	1/4-20 x 1" Flat Hd Phillips Screws
CC	1	012-0813	Black Plastic Grommet
DD	10	030-1300	#10 x 1 1/4" Pan Hd Wood Screws
EE	1	030-0305	7/8" x 17/64" x 1/16" Washer
FF	2	010-3380	1.523" Nylon Washer
GG	1	030-0736B	1/4-20 Acorn Nut
HH	10	030-0240	1/4" Lock Washers



**STEP 1**

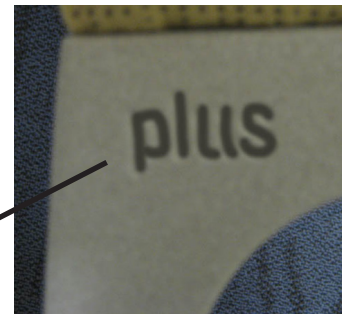
Install top plate (AA) to wood top using screws (BB) as shown.



**STEP 2**

Snap grommet (CC) into base hole as shown.

# CORRECT LEG POSITION



Straight Leg

Angled Leg

**LEGS MUST BE INSTALLED SO THE "PLUS" WORD IS LOCATED TO THE BACK.**



CHAIR BACK

FIGURE 1

CHAIR FRONT



FIGURE 2

INSTALL 5 SCREWS AND  
WASHERS PER SIDE

### STEP 3

Turn chair over and position each leg as shown in **FIGURE 1**. Install each leg with screws (DD) and washers (HH), 5 per side as shown in **FIGURE 2**. Make sure casters are facing the front of the chair. **NOTE:** For armless chairs, refer to **FIGURE 3**. Remove bolt and spacer first, then slide leg in place secure and then replace spacer and bolt.

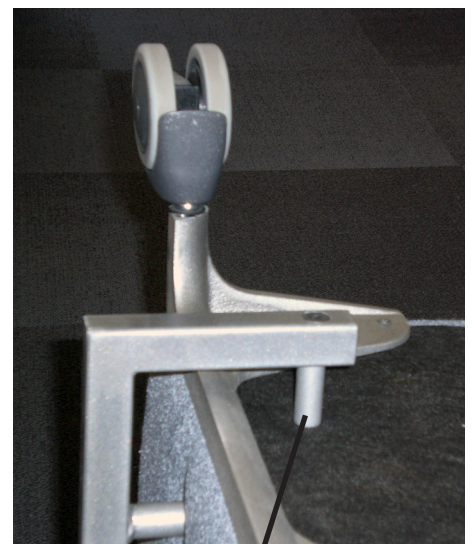
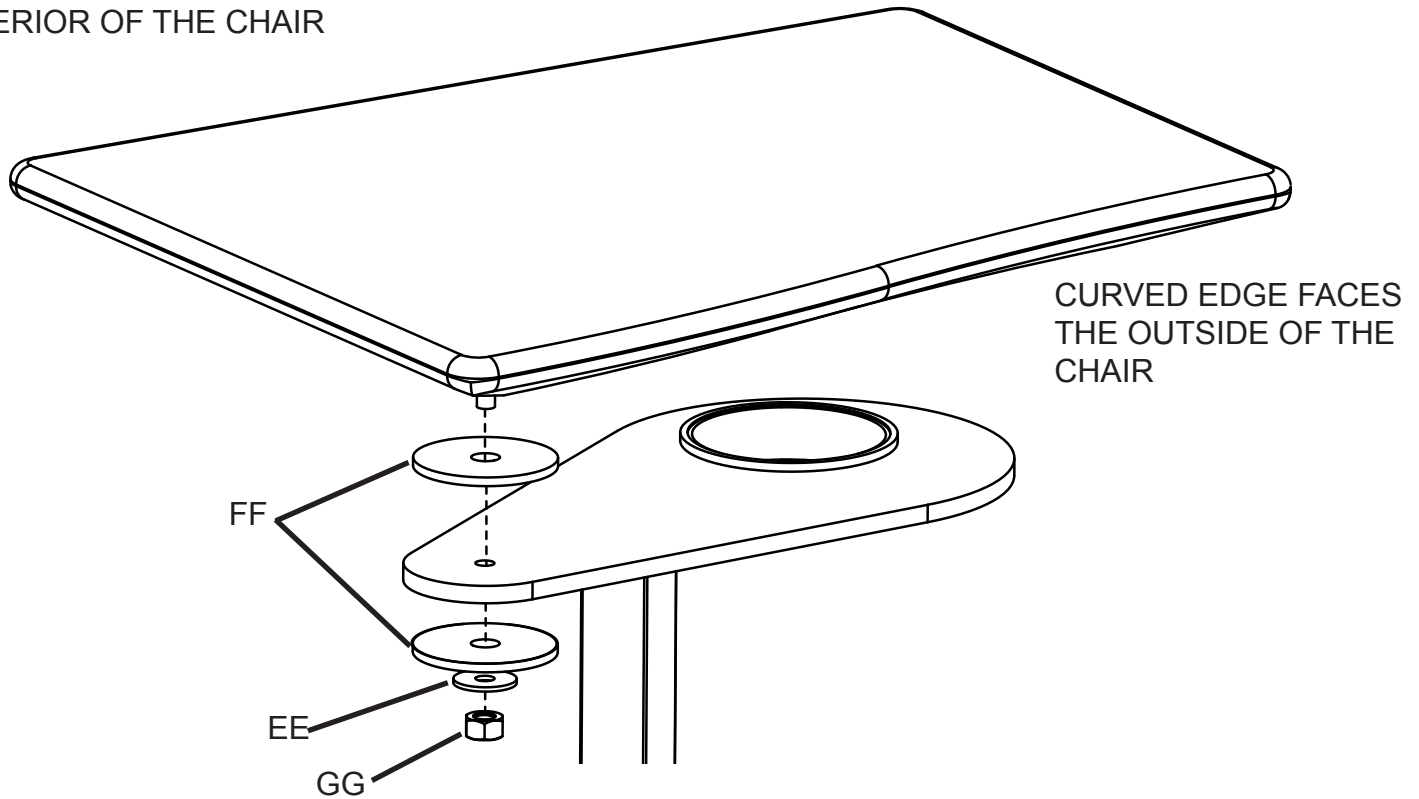


FIGURE 3

PRIOR TO INSTALLING  
LEG, REMOVE BOLT AND  
SPACER. REPLACE AFTER  
INSTALLING LEG.

STRAIGHT EDGE FACES THE  
INTERIOR OF THE CHAIR



#### STEP 4

Turn chair over and install wood top and hardware as shown. **NOTE:** When installing wood top, make sure the curved side is facing the outside of the chair. The straight edge of the top should face the interior of the chair. Once the top is secure, the curved edge will rotate to face the user.

Bretford®  
11000 Seymour Avenue  
Franklin Park, IL 60131  
TEL: 847.678.2545  
800.521.9614  
FAX: 847.678.0852  
800.343.1779

Bretford Ltd.  
2 Etongate  
110 Windsor Road, Slough  
Berkshire SL1 2JA England  
TEL: 011 44 17 5353 9955  
FAX: 011 44 17 5353 9478

[www.bretford.com](http://www.bretford.com)

Part # 031-7554  
Rev. 06.19.13 CG 4 of 4