

EVOKE® GENERATION 2 HP

2.9" ROUND DOWNLIGHT TRIMLESS LED

E2.9RD-G2-HP-TL
LED

APPLICATION:

Commercial and retail ambient and task lighting

HOUSING CONSTRUCTION:

20 ga. steel painted matte black
Formed aperture plate with $\frac{5}{8}$ " lip (GB-standard)
Cast aluminum plaster frame with perforated face
Integral adjustable locking mounting bars
Thermally protected

REFLECTOR TRIM CONSTRUCTION:

Spun aluminum self flanged reflector
Variety of anodized aperture finishes with clear flange

OPTICS:

Available in a variety of beam spreads

LED:

Color Temp Options: 2700K, 3000K, 3500K, 4000K
CRI: 85 typ. (2700K, 3000K, 3500K, 4000K)
90+ typ. (3000K)
Life: 50,000 hrs
Lumen Maintenance: >70% of initial lumens @ 50,000 hrs
Lumen Output (20w, 3000K): 924 lm (spot)
CBCP (20w, 3000K): 7157 (spot)

ELECTRICAL:

Electronic constant current LED driver, 120v or 277v input.
This product complies with IEEE C62.41 for surge endurance up to 2.5KV. Amerlux® recommends using additional surge protection with this unit (supplied by others), surge damage is not covered by warranty.

Options:


Dimming: Options available for ELV, Triac, 0-10v and Lutron systems. See following pages for more information

Multi-Function: EM secondary driver 120v/277v input from inverter/generator system (by others) or Night Light (NL) secondary driver 120v/277v input, constant power

MOUNTING:

For use in sheet rock ceilings, ceiling thickness $\frac{5}{8}$ "
Consult factory for other thicknesses

LABELING:

 pending approval to UL standards as tested by CSA
C US
Damp location
For indoor use only

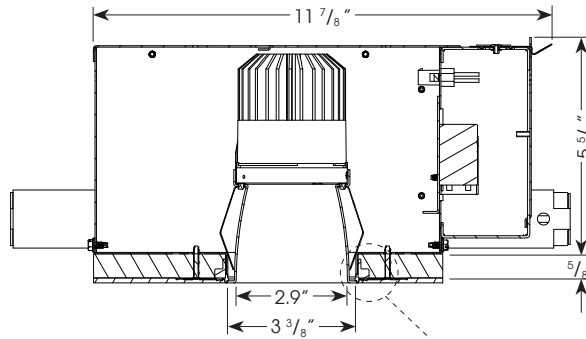
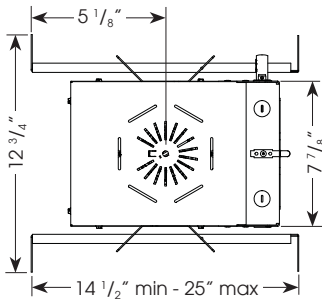


PROJECT:

TYPE:

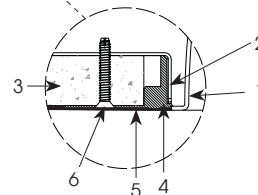


Electrostatic sensitive device,
observe precautions for
handling



Ceiling Cut Out Dimension: $4 \frac{1}{16}$ "

1. Reflector Trim
2. Fixture Housing Aperture Plate
3. Ceiling $\frac{5}{8}$ " (1" max)
4. Cast Aluminum Plaster Frame
5. Plaster Skim Coat (by others)
6. 6-32 Type F Thread Cutting Screw



ELECTRICAL

Driver		17w		20w	
		System Watts	Amps	System Watts	Amps
Electronic	120v	17	0.14	20	0.17
	277v	17	0.06	20	0.07

ORDERING INFORMATION:

Housing Model	Wattage	Lamp Type	Voltage	Options	Reflector Model	Aperture Finish	Beam Spread	Color Temp
E2.9RD-G2-HP-TL	17 20	LED	120 277	DIM-ELV - ELV dimming (120v only) DIM-TRIAC - Triac dimming (120v only) HILUME - Lutron HI-lume® dimming driver 0-10V - 0-10v dimming MF - multi-function driver	E2.9RD-G2-HP-TL	SDC - semi-diffuse clear CLC - specular clear GDC - specular gold BKC - specular black	NSP - narrow spot, 12° SP - spot, 15° NF - narrow flood, 20° MFL - medium flood, 24° FL - flood, 28° WF - wide flood, 45° VWF - very wide flood, 60° LS - linear spread, 60° x 10°	2700 3000 3500 4000 3000-90 (90+CRI)

Complete Unit Specification: E2.9RD-G2-HP-TL-20-LED-120/E2.9RD-G2-HP-TL-SDC-SP-3000
Housing Only: E2.9RD-G2-HP-TL-20-LED-120
Reflector Only: E2.9RD-G2-HP-TL-SDC-SP-3000

Cat #:

Amerlux® reserves the right to change details that do not affect overall function and performance.

Amerlux®, LLC • 23 daniel road, fairfield NJ 07004 • p: 973.882.5010 f: 973-882.2605 • www.amerlux.com



EVOKE® GENERATION 2 HP

2.9" ROUND DOWNLIGHT TRIMLESS LED

E2.9RD-G2-HP-TL
LED



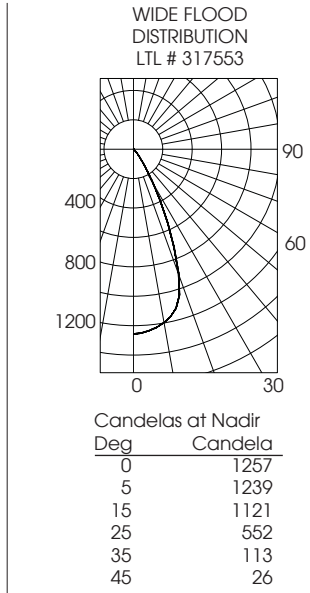
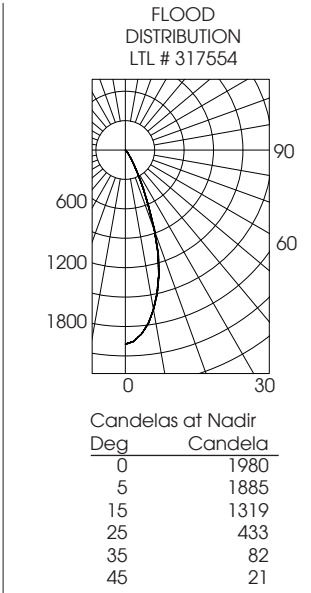
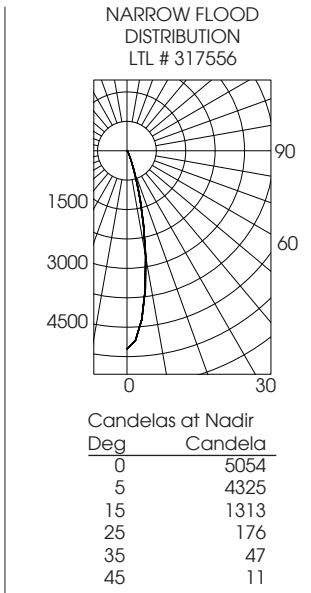
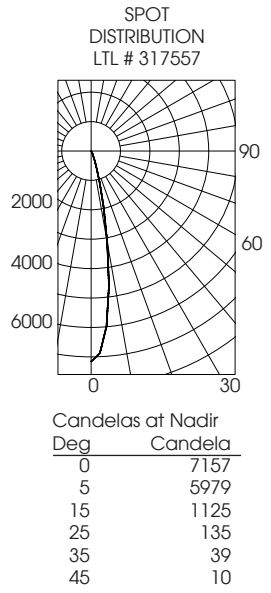
TYPE:



FIXTURE DATA: For 17w data, multiply by 0.89

Complete photometric data (ies format) available upon request.

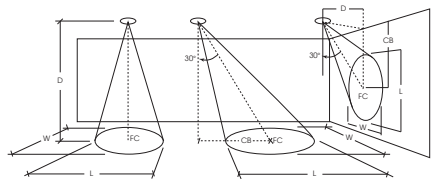
20W LED



APPLICATION DATA:

Notes and Definitions:

Beam spread is to 50% center beam candlepower (CBCP).
 D=Distance to floor or wall.
 FC=Footcandles on floor or wall at center beam aiming location.
 L=Effective Visual Beam length in feet (50% of maximum footcandle level).
 W=Effective Visual Beam width in feet (50% of maximum footcandle level).
 CB=Distance across or down to center beam location.



0° Aiming Angle
Horizontal Footcandles

	D	FC	L	W
SPOT	5.0'	198	1.9	1.9
	7.5'	107	2.7	2.7
	10.0'	65	3.4	3.4
	12.5'	43	4.2	4.2
FLOOD	5.0'	149	2.2	2.2
	7.5'	77	3.0	3.0
	10.0'	46	3.8	3.8
	12.5'	30	4.8	4.8
WIDE FLOOD	5.0'	71	3.2	3.2
	7.5'	33	4.8	4.8
	10.0'	19	6.3	6.3
	12.5'	12	7.8	7.8
VERY WIDE FLOOD	5.0'	48	4.0	4.0
	7.5'	22	6.0	6.0
	10.0'	12	8.0	8.0
	12.5'	8	10.0	10.0

EVOKE® GENERATION 2 HP

2.9" ROUND DOWNLIGHT TRIMLESS LED

E2.9RD-G2-HP-TL
LED



TYPE:



DIMMING COMPATIBILITY:

Amerlux® "Evoke® 2.9 G2" fixtures are compatible with all major dimming protocols prevalent in the United States. Please see below for general compatibilities and wiring diagrams. Amerlux® recommends testing your unique dimming configuration as the exact full configuration (Dimmer, Fixture Quantity, Voltage, etc) may affect dimming performance.

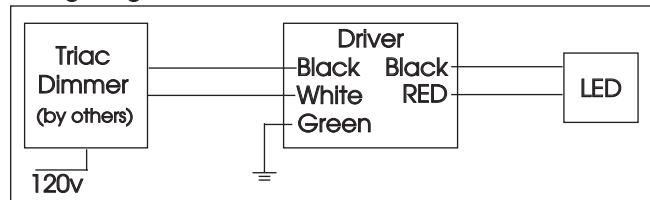
TRIAC (Forward Phase) DIMMING (-DIM-TRIAC Option) ---not compatible with 12w module---

Utilizes "Standard" incandescent dimmers that are in wide use in installations across the US. Best for retrofit applications where Triac dimmers are installed.

Notes:

- 120v ONLY
- Dims down to less than 5% light output (most cases)
- Consult Dimming manufacturer for installation instructions - DO NOT SHARE NEUTRALS!
- Must meet dimmer Minimum Load Requirements per dimming manufacturer

Wiring Diagram



Compatible Dimmers

Wall Box (Incandescent Style, Wattage as required)

Lutron "Diva"
Lutron "Nova-T"
Lutron "Maestro"

Lutron "Vareo"
Lutron "Skylark"

Central System

ETC "SR" Rack w/D20 Module
Lutron "GP" Panel

ETC "DRD" Rack w/D20 Module
Lutron Grafix Eye QS

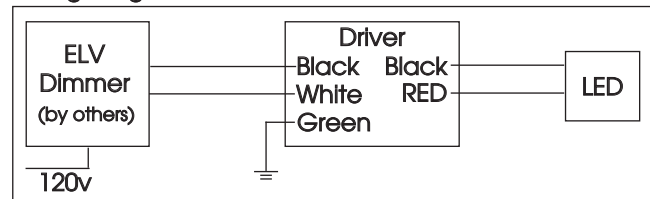
ELV - Electronic Low Voltage (Reverse Phase) DIMMING (-DIM-ELV Option)

Utilizes specialized "ELV" dimmers. Best for New Construction applications

Notes:

- 120v ONLY
- Dims down to less than 5% light output (most cases)
- Consult Dimming manufacturer for installation instructions - DO NOT SHARE NEUTRALS!
- Must meet dimmer Minimum Load Requirements

Wiring Diagram



Compatible Dimmers

Wall Box (ELV Style)

Lutron "Diva"
Lutron "Nova-T"
Lutron "Maestro"
Leviton "Surslide"

Lutron "Vareo"
Lutron "Skylark"
Leviton "Vizio"

Central System

ETC "SR" Rack w/ELV10 Module
Lutron "GP" Panel with PPHM-PA Interface

ETC "DRD" Rack w/ELV10 Module
Lutron Grafix Eye QS with PPHM-PA Interface

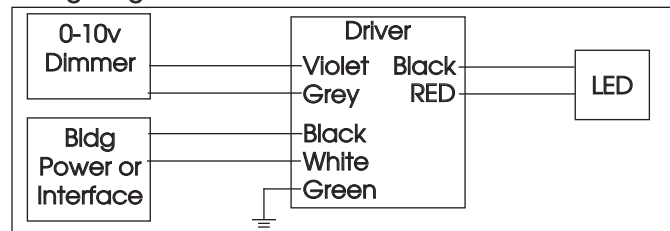
0-10V - DIMMING (-0-10V Option)

Integrates into a variety of building management and daylighting controls

Notes:

- 120v - 277v
- Dims down to less than 10% light output
- Requires interface to turn off power to driver
- Consult Dimming manufacturer for installation instructions - DO NOT SHARE NEUTRALS!

Wiring Diagram



Compatible Dimmers

Wall Box

Lutron "Diva" - DVTV with PP-120H Interface

Leviton Renoir II 0-10v

Central System

Lutron Grafix Eye with GRX-TVI Interface

EVOKE® GENERATION 2 HP

2.9" ROUND DOWNLIGHT TRIMLESS LED

E2.9RD-G2-HP-TL
LED



TYPE:



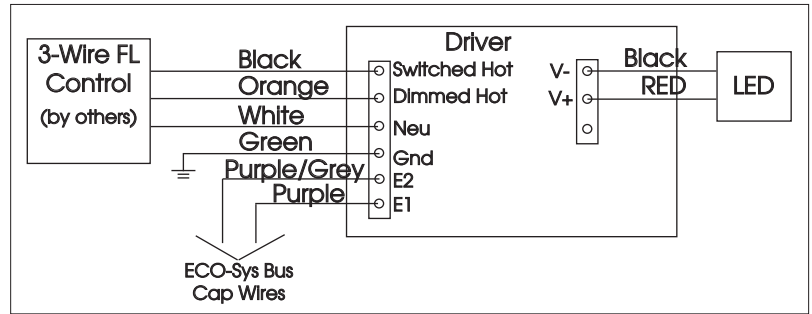
LUTRON HI-LUME / ECO-SYSTEM (-DIM-HILUME Option)

Integrates into a variety of building management and daylighting controls

Notes:

- 120v or 277v
- Dims down to less than 5% light output
- May use 3-Wire or Ecosystem Control
- Consult Dimming manufacturer for installation instructions - DO NOT SHARE NEUTRALS!

3-Wire Wiring Diagram



Compatible Dimmers

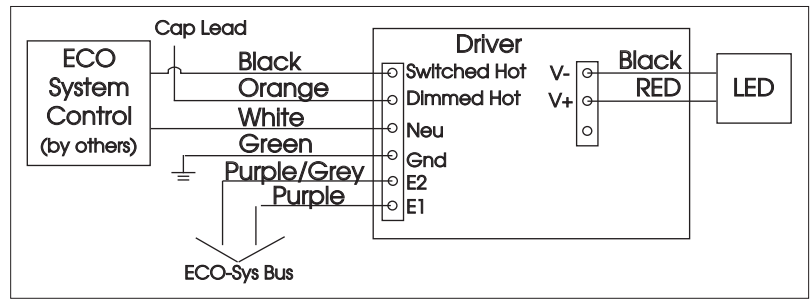
Wall Box (3-Wire Fluorescent)

- DIVA
- Maestro
- Nova T
- Vareo

Central System

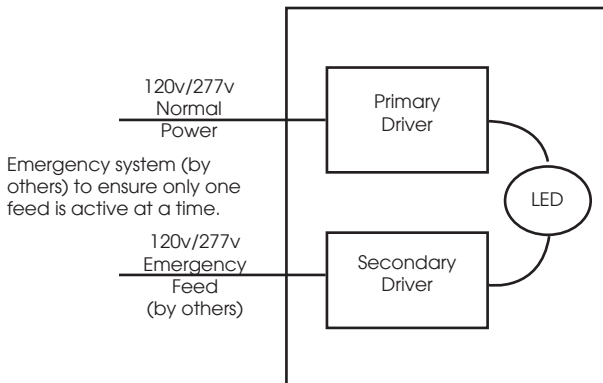
- Lutron ECO-System compatible controls
- ETC "SR" Rack w/D20F Module
- ETC "DRD" Rack w/D20F Module

ECO System Digital Control Wiring



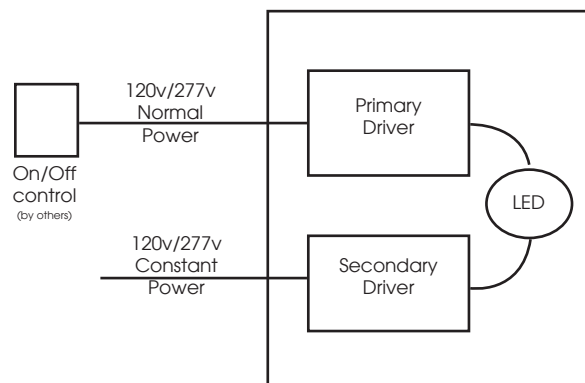
MULTI-FUNCTION

Emergency Configuration



In Emergency configuration
Multi-Function driver provides
100 mA of drive current.
17w = 20% output
20w = 16% output

Night Light Configuration



In Night Light configuration
Multi-Function driver provides
10 mA of drive current when
primary driver is switched off.
17w = 2% output
20w = 1.5% output

Patent-Pending