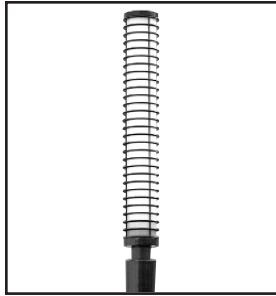



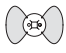


# Corral<sup>®</sup> Column

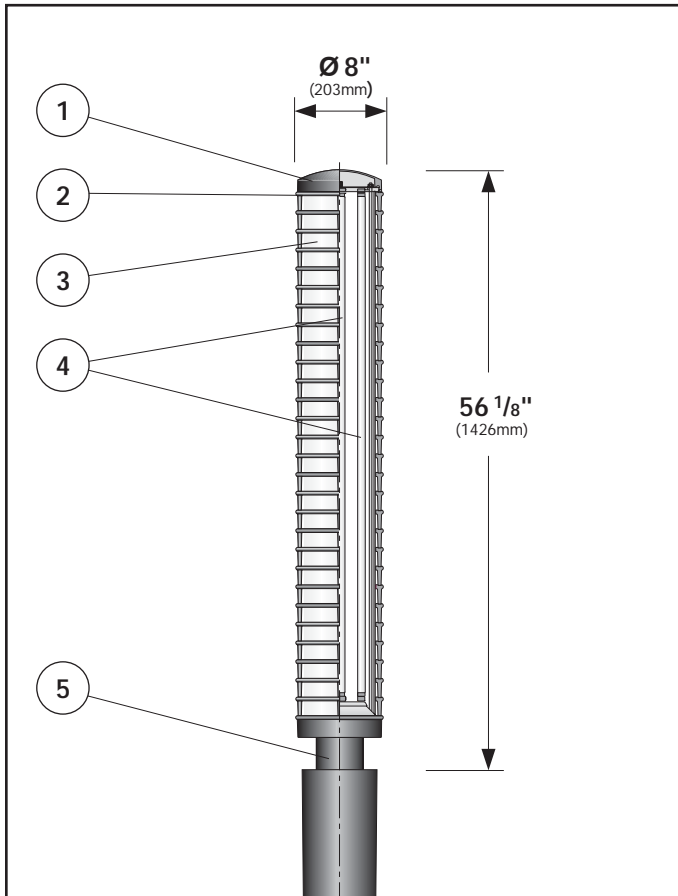


Project: \_\_\_\_\_

Type: \_\_\_\_\_ Qty: \_\_\_\_\_

\_\_\_\_\_ - \_\_\_\_\_ - \_\_\_\_\_ - \_\_\_\_\_ - \_\_\_\_\_  
 Fixture Series      Height      Lamp Type / Wattage      Finish      Voltage      Options

Series	Height	Lamp Type / Wattage	Finish	Voltage	Options
CCT Corral <sup>®</sup> Column Round Tapered Pole	12 12'	1T8 (1x)FO32T8 	WH White	120	REC GFCI Receptacle  Consult factory for other heights and options
	14 14'	2T8 (2x)FO32T8 	BK Black	277	
CCS Corral <sup>®</sup> Column Round Straight Pole		3T8 (3x)FO32T8 	BZ Bronze	347	
		4T8 (4x)FO32T8 	SV Silver		
			SP Specify RAL#		



**1. Fixture Cover** - Die-cast, aluminum cover, with smooth crisp form to reflect and complement the column design. Thick-walled, aluminum cover is painted white on the interior for maximum luminaire efficiency. Removes by loosening three vandal-resistant, stainless steel screws for easy access to lamp chamber.

**2. Gasketing** - Continuous gaskets provide weather-proofing, dust, and insect control at all fixture connections.

**3. Shielding** - White, translucent, UV stabilized acrylic, minimum wall thickness 0.118 (3mm) inside of die cast aluminum Corral<sup>®</sup> rings.

**4. Lamp** - One, two, three or four FO32T8 (32 watts each) fluorescent lamps on removable gear tray, mounted vertically. Lamps provided by others.

**5. Column Fitter** - Die-cast aluminum fitter, with built-in gasketing ridges, for smooth transition to column.

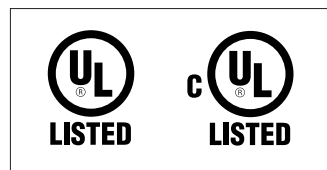
**6. Ballast** (not shown) - Electronic ESB, high power factor, class P, type A sound rating. Minimum lamp starting temperature 0 F (-20 C). Consult factory for more detailed ballast information.

**7. Base Cover** - (not shown) Standard two-piece base cover is made from die-cast 356 alloy aluminum which is heat treated to produce a T6 temper, measuring 4 1/2" (115mm) height by 12 1/2" (316mm) diameter.

**Exterior Luminaire Finish** - SELUX utilizes a high quality Polyester Powder Coating. All SELUX luminaires and poles undergo a five stage intensive pretreatment process where product is thoroughly cleaned, phosphated and sealed. SELUX powder coated products provide excellent salt and humidity resistance as well as ultra violet resistance for color retention. All products are tested in accordance with test specifications for coatings from ASTM and PCI.

Standard exterior colors are White (WH), Black (BK), Bronze (BZ), and Silver (SV). RAL colors (SP) are available, please specify RAL#.

SELUX Corp. © 2002  
 PO Box 1060, 5 Lumen Lane  
 Highland, NY 12528  
 TEL: (845) 691-7723  
 FAX: (845) 691-6749  
 E-mail: seluxus@selux.com  
 Web Site: www.selux.com/us  
 CORC-1003-01 (ss-V2.01)



**Union Made  
 Affiliated with  
 IBEW Local 363**

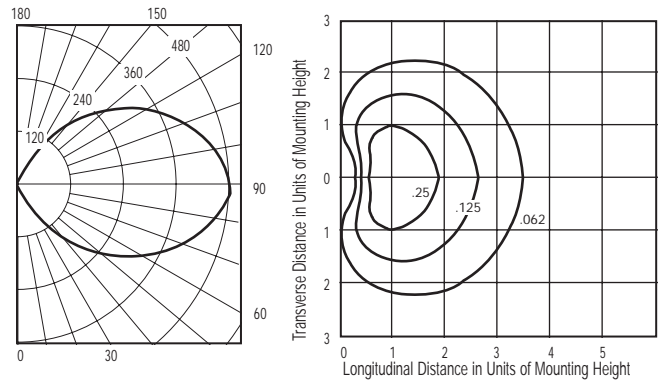
In a continuing effort to offer the best product possible, we reserve the right to change, without notice, specifications or materials that in our opinion will not alter the function of the product. Specification sheets found at www.selux.com/usa are the most recent versions and supercede all other printed or electronic versions.

## Photometry

### CCT with 1T8 lamp

Catalog # CCT - 12 - 1T8  
Report # SX 16096

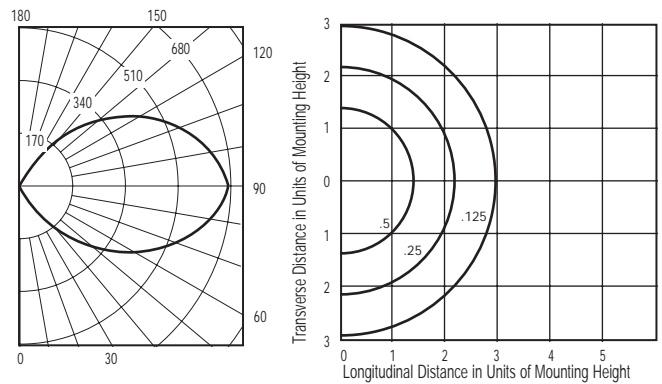
- Maximum candela of 484.6 at 87.5° from vertical.
- IES classification - Type IV Non-cutoff



### CCT with 4T8 lamps

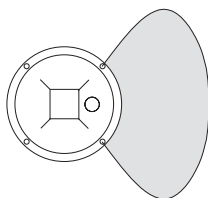
Catalog # CCT - 12 - 4T8  
Report # SX 16034

- Maximum candela of 671.2 at 90° from vertical.
- IES classification - Type V Non-cutoff

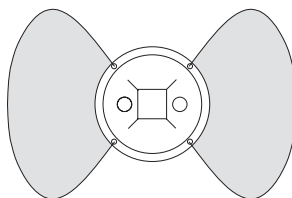


Conversion Chart	
Values based on 14' (4.3m) mounting height.	
Mounting Height	Multiply
12' (3.7m)	1.44
14' (4.3m)	1.00

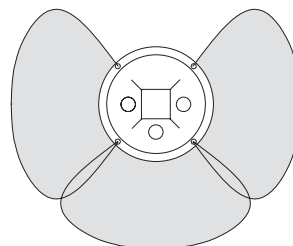
**1T8**



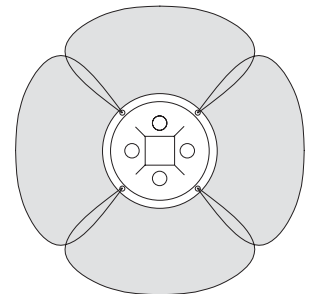
**2T8**



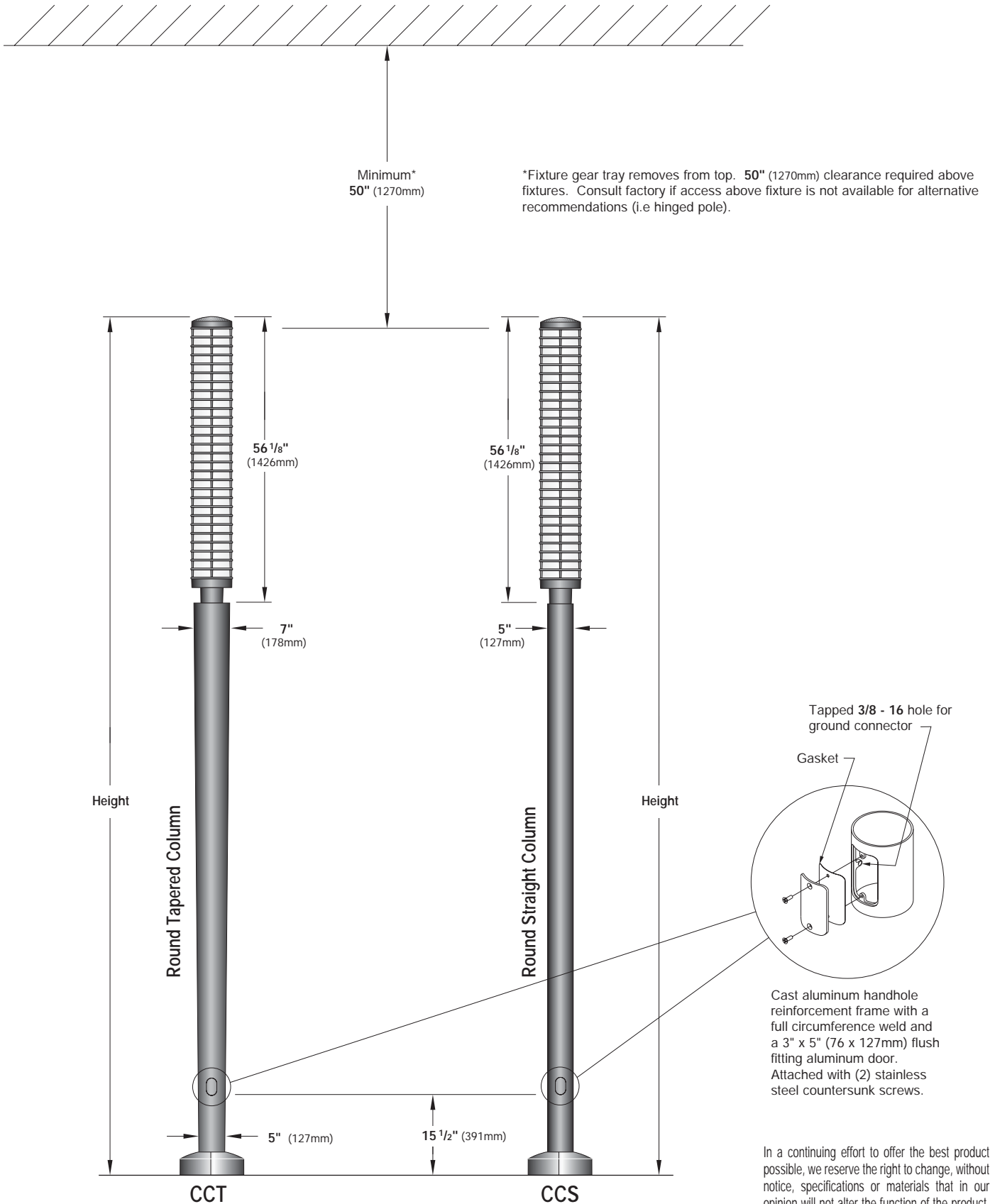
**3T8**



**4T8**

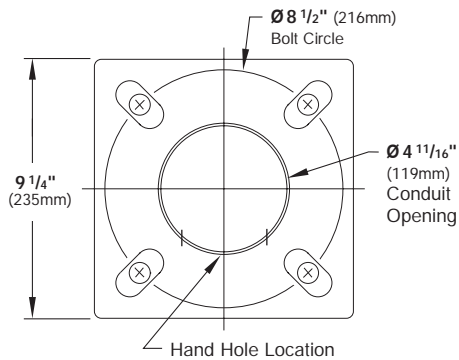


## Mounting Information



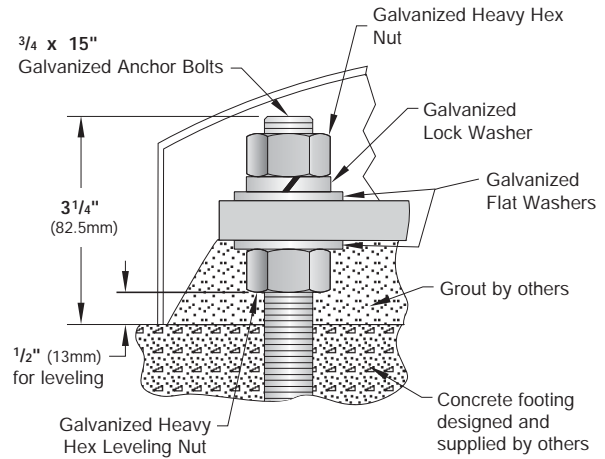
## Bolt Circle

Use caution when setting anchor bolts. Bolts must be vertically straight and centered on dimensions shown.



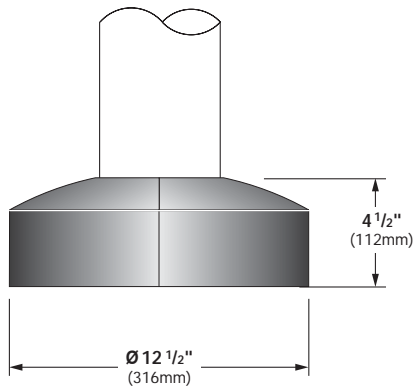
**Note:** Adequate drainage must be provided in concrete foundation or grout.

## Anchor Bolt Detail

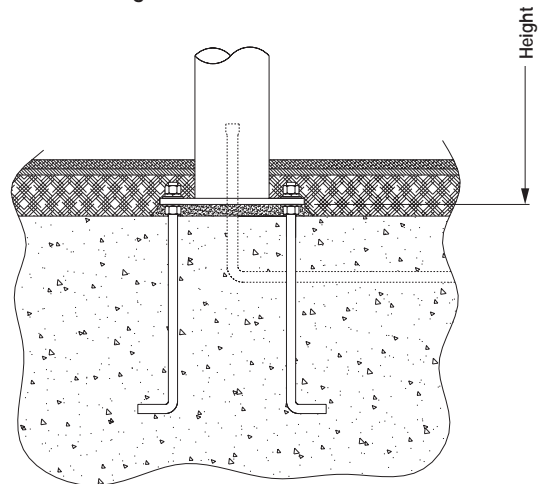


## BC3 Standard Base Cover

Die-cast aluminum, two-piece field installable base cover.



## Alternate Mounting Detail



## Options

**GFCI Receptacle (REC)** - GFCI duplex receptacle with cast base welded to pole and gasketed, provided with weather-proof, self-closing cover; located 36" (915mm) from base of pole, inline with handhole. Receptacle is intended only for portable tools or other portable equipment to be connected to outlet only when attended by operating personnel.

