

Urbi 1



Project: _____

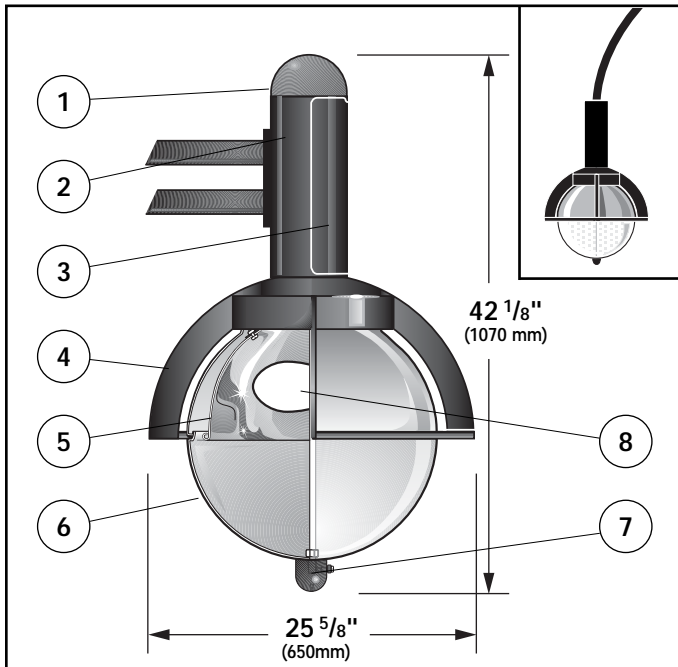
Type: _____ **Qty:** _____

URB1	-	-	-	-	-
Fixture Series	Mounting Configuration	Version	Lamp Type / Wattage	Finish	Voltage

Pole Configuration: Consult Factory

Series	Mounting	Version	Lamp Type / Wattage	Finish	Voltage
URB1 Urbi 1, single lamp	1 Single	P1 Pedestrian (Version 1)	<u>Metal Halide</u>	WH White	120
	2 Double	S1 Street (Version 1)	H050* 50w	BK Black	208
	3 Triple	P2 Pedestrian (Version 2)	H070 70w	BZ Bronze	240
	4 Quadruple	S2 Street (Version 2)	H100 100w	SV Silver	277
			H150 150w	SP Specify RAL#	347
		H175 175w	<u>HPS</u>		
		H250 250w	S050* 50w		
		H400 400w	S070 70w		
			S100 100w		
			S150 150w		
			S250 250w		
			S400 400w		

* Only available in 120v and 277v.



1. Fixture Cap - Formed aluminum cap with stainless steel, threaded fasteners.

2. Ballast Housing - Die-cast aluminum housing with internal mounting bracket. Ballast tray disconnects from housing by removing two locking fasteners, and can be removed from fixture by disconnecting safety chain.

3. Service Door - Die-cast aluminum integrated service door for ease of maintenance, fully gasketed for weather protection.

4. Cage - Die-cast aluminum to form a half spherical lattice frame with four ribs extending from the base of the ballast housing to the horizontal ring orbiting the diffuser.

5. Reflector - High purity, anodized aluminum with semi-diffuse finish. Optional perforations allow light spill for a softened appearance, contact factory for details.

6. Diffuser - Two piece, vacuum-formed, clear, U.V. stabilized polycarbonate with pebble grain on inside surface. Lower half removes for easy lamp maintenance.

7. End Knob - Machined knob with internal thread and locking screw, secures diffuser for easy relamping and maintenance.

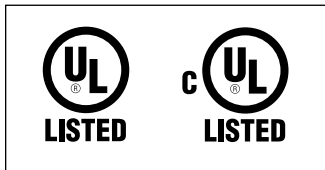
8. Lamp - One clear, medium base, ED-17 metal halide up to 175w or high pressure sodium up to 150w; or one clear, mogul base, ED-18 high pressure sodium up to 400w. Lamp provided by others.

9. Socket - (Not shown) Pulse rated porcelain medium base socket for lamps up to 175w or mogul base for 250w and 400w lamps. Socket is pre-wired to ballast at factory.

Exterior Luminaire Finish - SELUX utilizes a high quality Polyester Powder Coating. All SELUX luminaires and poles undergo a five stage intensive pretreatment process where product is thoroughly cleaned, phosphated and sealed. SELUX powder coated products provide excellent salt and humidity resistance as well as ultra violet resistance for color retention. All products are tested in accordance with test specifications for coatings from ASTM and PCI.

Standard exterior colors are White (WH), Black (BK), Bronze (BZ), and Silver (SV). RAL colors (SP) are available, please specify RAL#.

In a continuing effort to offer the best product possible, we reserve the right to change, without notice, specifications or materials that in our opinion will not alter the function of the product. Specification sheets found at www.selux.com/usa are the most recent versions and supercede all other printed or electronic versions.



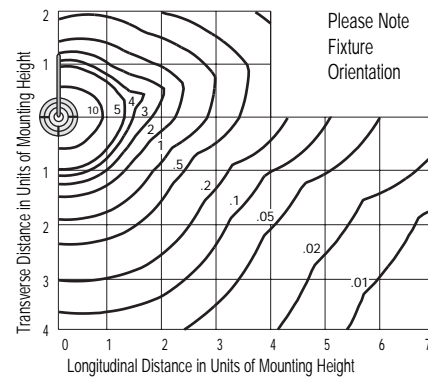
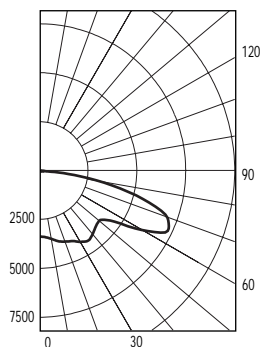
Union Made
Affiliated with
IBEW Local 363

SELUX Corp. © 2002
PO Box 1060, 5 Lumen Lane
Highland, NY 12528
TEL: (845) 691-7723
FAX: (845) 691-6749
E-mail: seluxus@selux.com
Web Site: www.selux.com/usa
URB1-0403-01 (ss-V2.11)

Type II Reflector

Catalog # URB1-D-R3-1-H250
Report # SX 7902

- Precision formed, spun aluminum reflector with specular kick reflectors to precisely control distribution.
- Ideal for applications demanding maximum spacing.
- Maximum candela of 7426 at 65° from vertical.
- IES classification - Type III

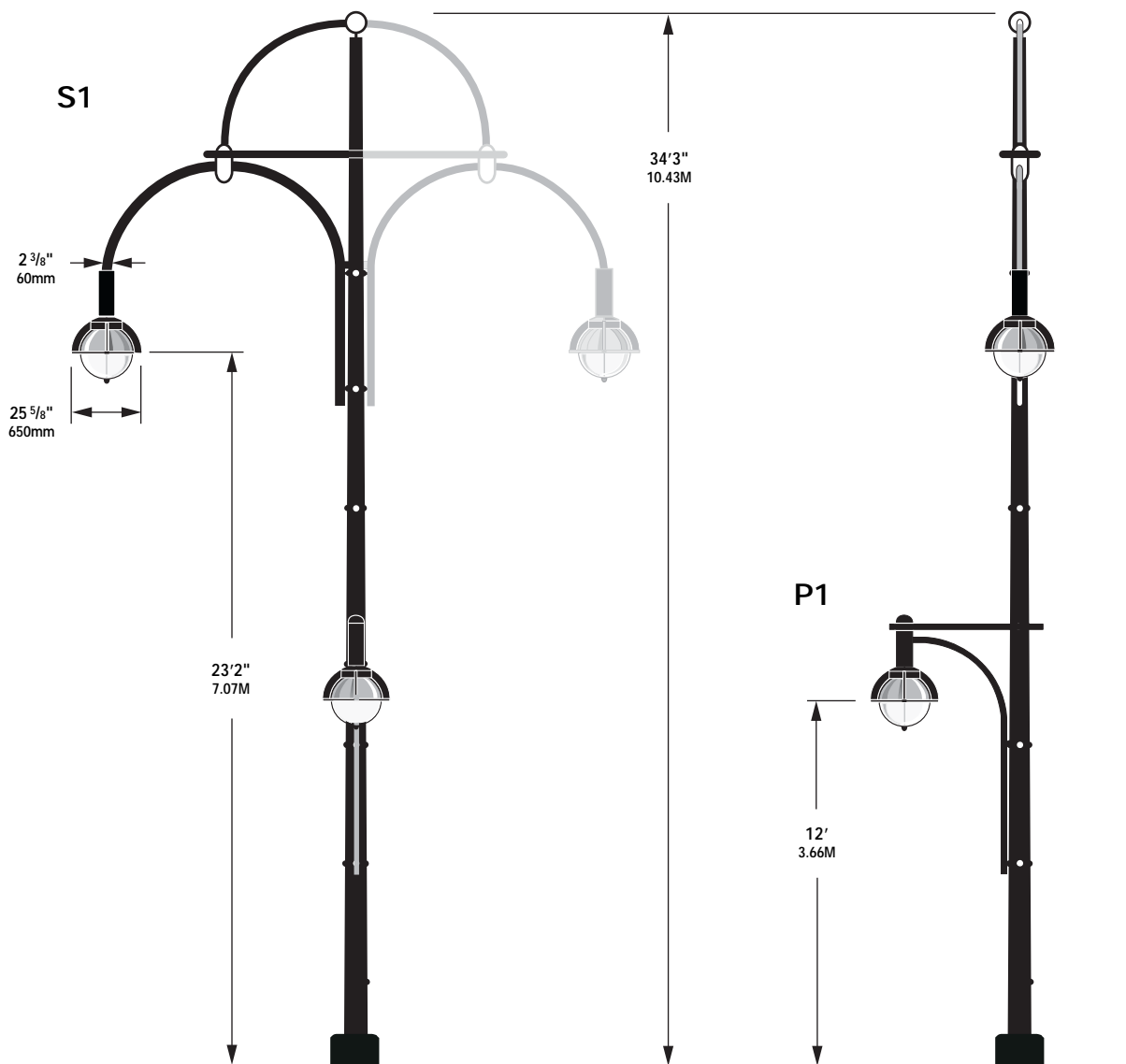
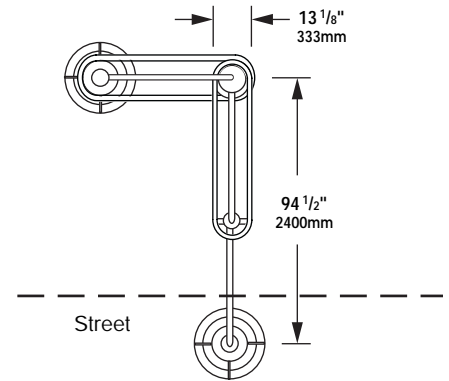


High Pressure Sodium			Metal Halide		
Wattage	Factor	Initial Lumens	Wattage	Factor	Initial Lumens
100	0.43	8800	100	0.38	7800
150	0.71	14500	150	0.61	12500
200	1.07	22000	175	0.68	14000
250	1.39	28500	250	1.00	20500
400	2.44	50000	400	1.75	36000

Mounting Height	Multiply
18'	1.00
20'	0.81
25'	0.52
30'	0.36
35'	0.26

Mounting

Version 1



SELUX Corp. © 2002
 PO Box 1060, 5 Lumen Lane
 Highland, NY 12528
 TEL: (845) 691-7723
 FAX: (845) 691-6749
 E-mail: seluxus@selux.com
 Web Site: www.selux.com/usa
 URB1-0403-03

In a continuing effort to offer the best product possible, we reserve the right to change, without notice, specifications or materials that in our opinion will not alter the function of the product. Specification sheets found at www.selux.com/usa are the most recent versions and supersede all other printed or electronic versions.

Mounting

Version 2

