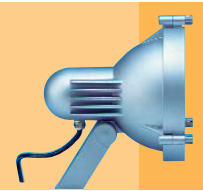
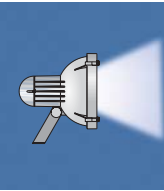




PR022



SILL® PRO Series



Construction

- Pressure die-cast, high quality GD-ALSi 12 aluminum housing and components
- Precision, high purity aluminum computer designed reflectors
- Optional flush glass to prevent dust and water buildup in upright situations

Lamping/Optics

- 150w to 1000w HID, or 250w to 500w halogen
- Choose from 8 distinct beam patterns

Mounting Options/Accessories

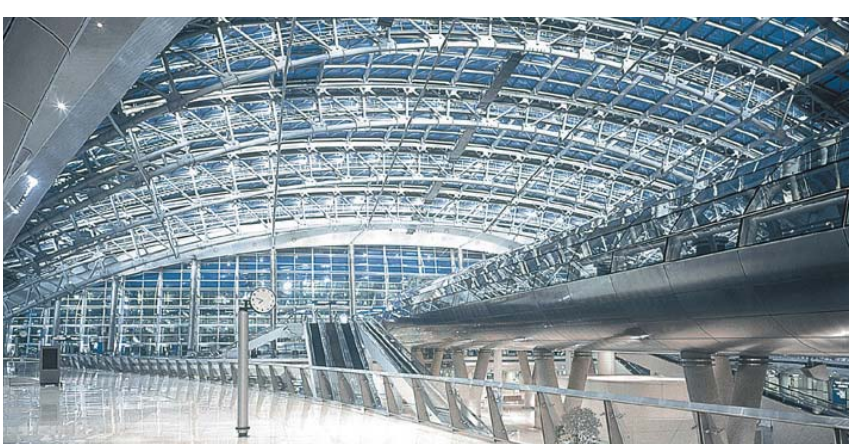
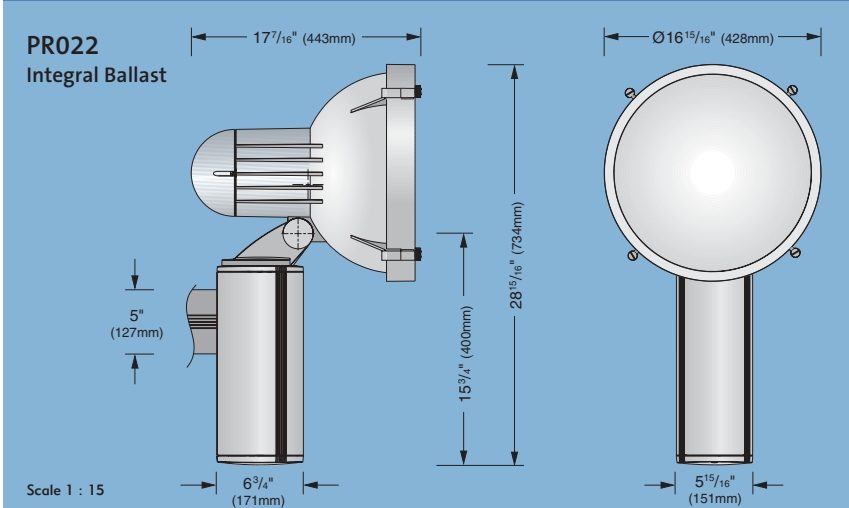
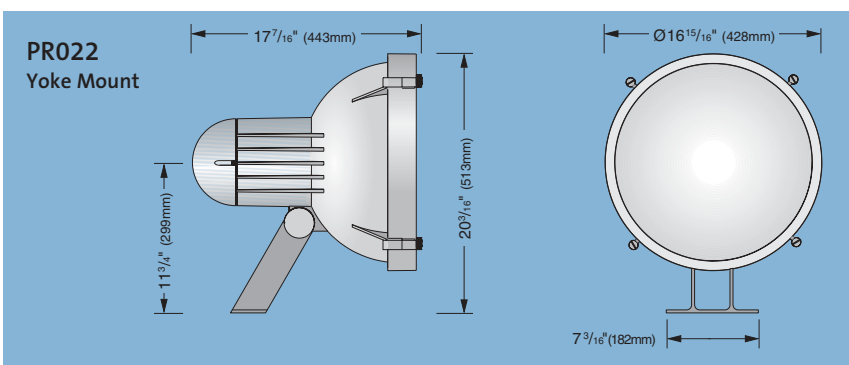
- Flexible mounting with many options
- Unique gimbal based "Cardanic Systems" user configurable mounting systems
- Full range of accessories includes ring louvers, colored lenses, dichroic filter, field rotatable spread lens, snoots, etc.

Finish

- High quality polyester powder coat finish (CLICK HERE FOR DETAILS)

Certifications

- UL and ULC listed
- IP 65
- ASTM and PCI for finish



Ordering Matrix

For details and specifications, see current spec sheet (CLICK HERE)

Series | PR022 SILL® PRO 22 Floodlight

Beam Pattern | **SN** Narrow Spot | **SM** Medium Spot | **FN** Narrow Flood | **FM** Medium Flood
HN Horiz. Narrow | **VN** Vert. Narrow | **HM** Horiz. Medium | **VM** Vert. Medium

Lamping MH | **H175** 175w | **H250ET** 250w ET18 | **H400ET** 400w ET18 | **H250** 250w BT18 | **H400** 400w BT37 | **H1000¹** 1000w BT37

Lamping HPS | **S150ED** 150w | **S250ET** 250w ET18 | **S400ET** 400w ET18 | **S600** 600w | **S1000¹** 1000w |
S250 250w BT28 E39 | **S400** 400w BT37 E39

Lamping Quartz Halogen (T4 E11 mini-can) | **Q250M³** 250w | **Q500M³** 500w

Voltage | **120** | **277** | **347**

Finish | **BK** Black | **WH** White | **BZ** Bronze | **SV** Silver | **SP** Specify RAL#

Mounting | **S** Stake Mount | **W** Wall Mount | **B** Bracket Mount | **O** Outrigger Mount | **1** Single Pole Top | **2** Double Pole Top |
3 Triple Pole Top | **4** Quad Pole Top | **Y** Yoke Mount (for Remote Ballast and Halogen lamps only)

Lens Accessories | **FG** Flush Glass | **LR** Red Colored Lens | **LG** Green Colored Lens | **LB** Blue Colored Lens | **LY** Yellow Colored Lens
RL Ring Louver Internal | **DF** Dichroic Filter (consult factory)

Options | **RB** Remote Ballast | **RLX** Ring Louver External | **S18** Snoot 180° | **S36** Snoot 360° | **SLR** Field Rotatable Spread Lens

¹ Always supplied with remote ballast and "Y" mounting.

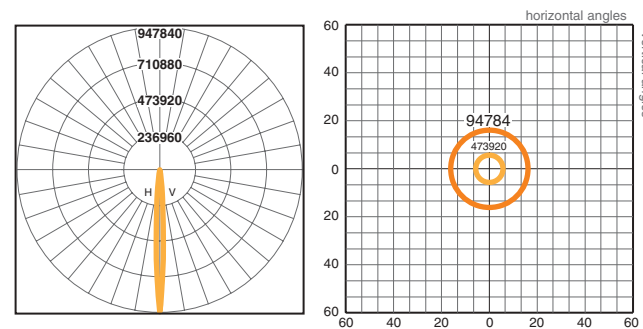
² 120V only.

³ Supplied with "Y" mounting only.

CLICK HERE FOR LAMP INFO.

Photometry

PR022-SN-H400ET-RL



Maximum Candela = 947840
located at:
horizontal angle = 0°
vertical angle = 0°

Beam Angles
(50% max. candela = 473920)
H = 5.8° V = 5.8°

Field Angles
(10% max. candela = 94784)
H = 16.1° V = 16.1°

NEMA Class 1H x 1V

PR022-FM-H400ET



Maximum Candela = 51296
located at:
horizontal angle = 0°
vertical angle = 0°

Beam Angles
(50% max. candela = 25648)
H = 31.9° V = 31.9°

Field Angles
(10% max. candela = 5129.6)
H = 74.7° V = 74.7°

NEMA Class 5H x 5V

For more options, see our website at www.selux.com/usa