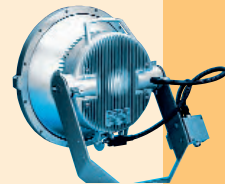
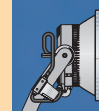




Power Spot 003



Power Spot Series



Construction

- Precision, die-cast high purity aluminum

Lamping/Optics

- H.I.D. lamping 2000w
- 5 different beam patterns

Finish

- Natural aluminum

Certifications

- UL and ULC listed
- IP 65
- ASTM and PCI for finish



Ordering Matrix

For details and specifications, see our website at www.selux.com/usa

Series | 003 SILL® Power Spot 003

Beam Pattern | SN1 | SN2 | SN3 | SN4 | SN5

Lamping Metal Halide | MH2000DE 2000w HIT-DE Cable

Voltage | 120* | 277 | 347 | 480

Finish | NA Natural Aluminum

Mounting | 1 Yoke Mount

Options | RL Ring Louver

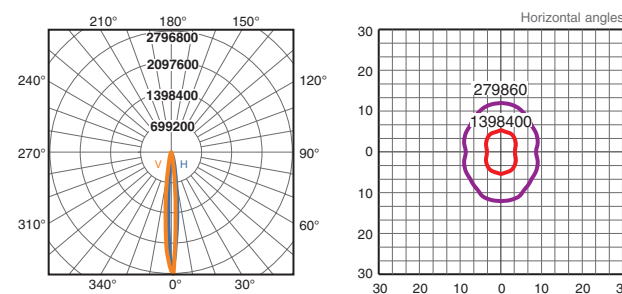
* 1000w only NOTE: Fixture always supplied with Remote Ballast.

NOTE: This fixture should not be mounted with aiming above 45° from horizontal. Use Power Spot 05 for uplighting.

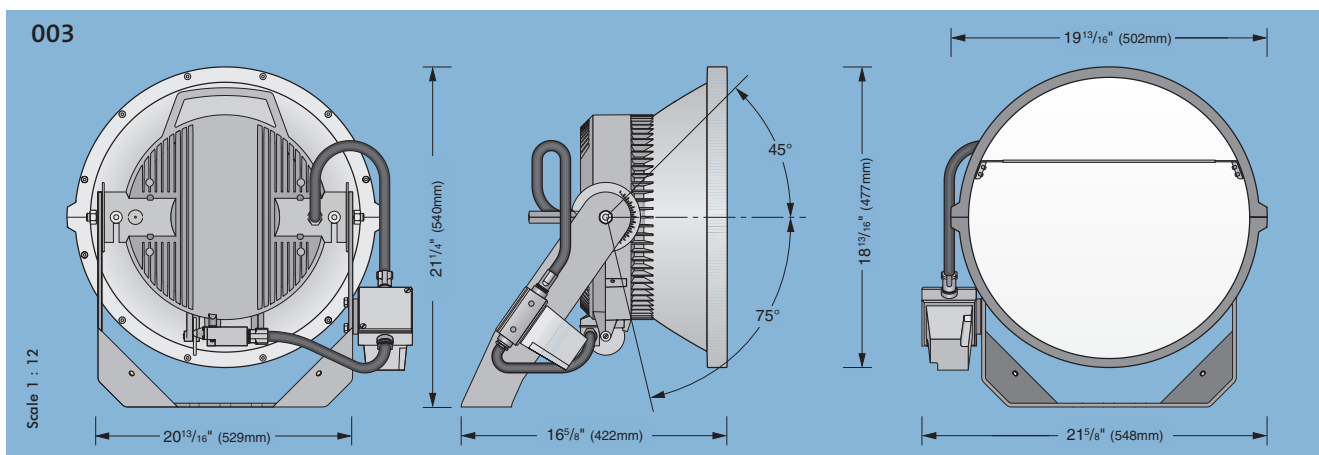
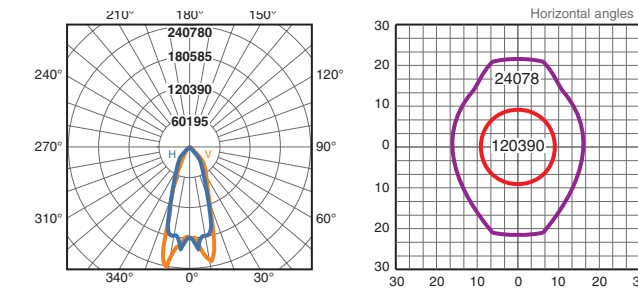
[CLICK HERE FOR LAMP INFO.](#)

Photometry

003-2-200



003-5-200



For more options, see our website at www.selux.com/usa