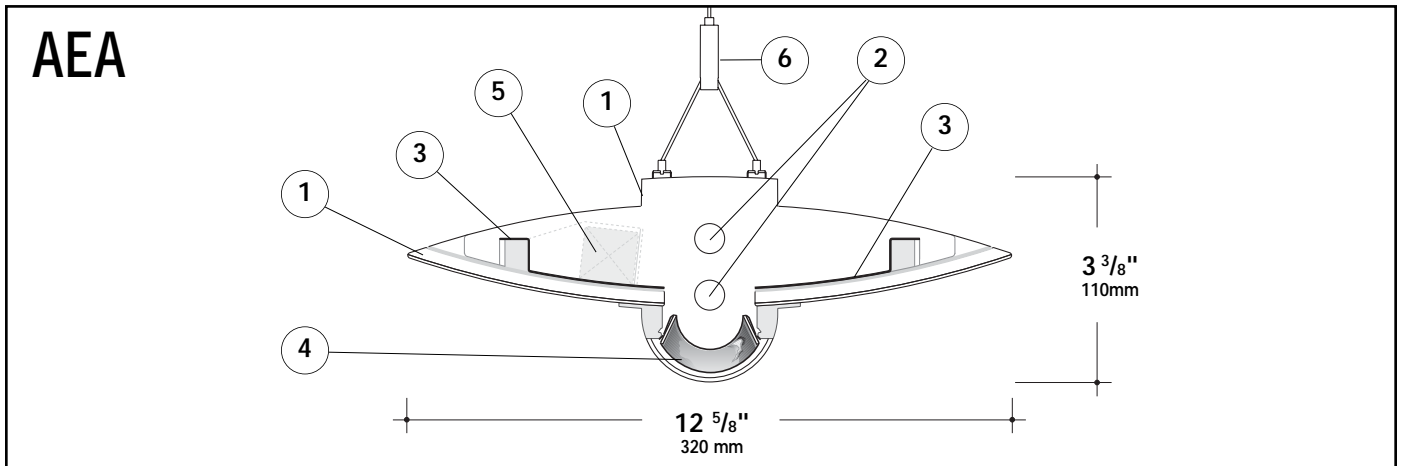




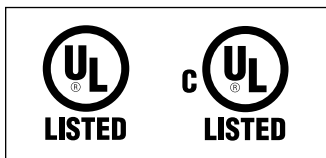
Project: \_\_\_\_\_ Type: \_\_\_\_\_ Qty. \_\_\_\_\_

**AEA** - \_\_\_\_\_ - **RP** - **C** - \_\_\_\_\_ - \_\_\_\_\_ - \_\_\_\_\_ - \_\_\_\_\_  
 Fixture Series    Lamp Type    Shielding    Mounting    Linear Footage    Finish    Voltage    Options  
 \_\_\_\_\_  
 Options (cont.)

Series	Lamp Type	Shielding	Mounting	Linear Footage	Finish	Voltage	Options
AEA Aurea* Direct/ Indirect	1T5    F21/28T5	RP Specular Paravex Radial	C Cable	3 3	WH White BK Black SV Silver SP Specify RAL #	120  277  347**	<b>Ballast Options</b> EM Emergency Ballast (consult factory) DM Dimming Ballast (consult factory)
	2T5    F21/28T5			4 4'			
	1T5HO    F39/54T5HO			Other lengths are available by combining stan- dard modules (consult factory).			<b>Wiring Options</b> FS Single Fusing TM Tandem Wiring (Multiple Lamp Units only)
	2T5HO    F39/54T5HO						
* US Patent No. 6,161,939						** Consult factory for availability	



**Union Made**  
Affiliated with  
**IBEW Local 363**



**1. Construction** - Housing of 6063-T5, extruded aluminum profiles, with integral connection/suspension/socket bracket. Curved, multilayered, self-illuminating Aurea acrylic wings on both sides, satinized surface is scratch and dirt resistant (US Patent No. 6,161,939). Top of wings is covered to provide a clean uniform appearance. Approximate weight of assembled fixture = 4 lbs./ ft.

**2. Lamps** - F21/28T5 or F39/54T5HO fluorescent lamps (by others). Other lamp lengths and wattages available (consult factory).

**3. Reflector** - 0.025" thick, clear specular aluminum.

**4. Shielding** - Specular Paravex radial louver.

**5. Ballast** - Electronic, high power factor, class "P", type "A" sound rating. Specify 120v, 277v, or 347v. Ballast is factory pre-wired with leads to one end of fixture. Consult factory for ballast options.

**6. Suspensions** - Aircraft cable with straight 18-3 SVT cord. Cable suspension is delivered with a spring loaded, quick release gripper for easy vertical adjustment. Suspensions are 2 ft. from ceiling to top of luminaire and are field cuttable. Supplied with 5" diameter canopy at feed location and 2" diameter canopy at non-feed locations. Other lengths available (consult factory).

**Interior Luminaire Finish** - Standard interior colors are White (WH), Black (BK), Bronze (BZ), and Silver (SV). RAL colors (SP) are available, please specify RAL#.

SELUX Corp. © 2003  
PO Box 1060, 5 Lumen Lane  
Highland, NY 12528  
TEL: (845) 691-7723  
FAX: (845) 691-6749  
E-mail: seluxus@selux.com  
Web Site: www.selux.com/usa  
AEA-0503-01 (ss-V3.11)

In a continuing effort to offer the best product possible, we reserve the right to change, without notice, specifications or materials that in our opinion will not alter the function of the product. Specification sheets found at www.selux.com/usa are the most recent versions and supersede all other printed or electronic versions.

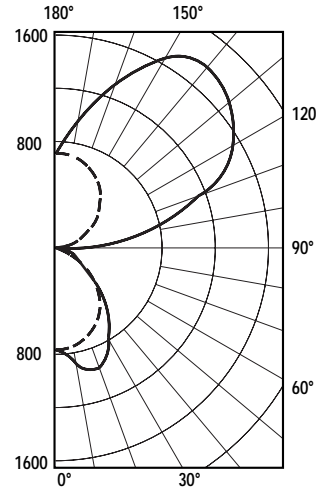
## Aurea Photometry

Catalog #: **AEA-2T5HO-RP**  
 Lamping: **2x F54T5HO @ 4650 lumens**  
 ITL Report #: **SX4441-54**

Luminaire  
 Efficiency: **75%**  
 Maximum  
 Candela: **1772@140 degree (Indirect)**

0 Horizontal Plane  
 is parallel with the lamp.

90 Horizontal Plane  
 is perpendicular to the lamp.



CANDELA DISTRIBUTION					
	0.0	45	90	135	180
0	536	536	536	536	536
15	514	606	654	606	514
45	177	348	352	348	177
75	17	46	79	46	17
90	2	21	39	22	2
105	77	538	577	538	77
135	323	997	1235	997	323
165	479	672	789	672	479
180	494	494	494	494	494

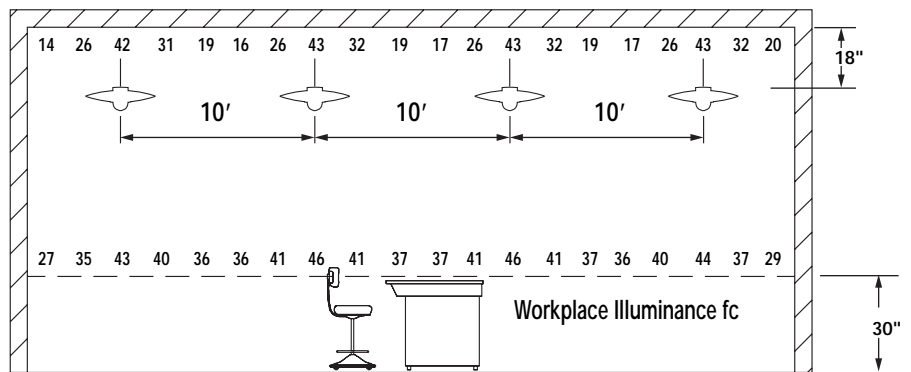
ZONAL LUMEN SUMMARY			
ZONE	LUMENS	%LAMP	%FIXT.
0-30	483	7	10
0-40	759	12	16
0-60	1149	18	24
0-90	1314	20	27
90-120	1221	19	25
90-150	2989	46	61
90-180	3560	55	73
0-180	4874	75	100

## Sample Room Calculation

Catalog #: **AEA-1T5-RP**  
 Lamping: **1x F28T5 @ 2900 lumens**  
 Room: **40' x 40'**  
 Ceiling Height: **9'**  
 Reflectance: **80/50/20**  
 Light Loss Factor: **0.80**  
 Suspension: **18"**  
 Data Spacing: **2' O.C.**

Spacing	Ceiling Uniformity Ratio	Avg Fc
8'	2.4:1	44.2
10'	3.6:1	35.9
12'	9.6:1	27.4

Ceiling Exitance (lm/ ft<sup>2</sup>)

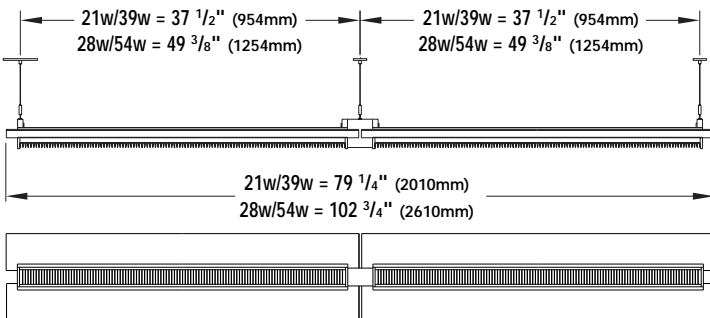


## Photometric Performance

To avoid excessive ceiling brightness, the illumination on the ceiling should be evenly distributed. In a VDT intensive environment, better uniformity will result in less noticeable glare on the screen. Ratios up to 8:1 are acceptable; however, 4:1 is achievable and more desirable. If VDTs are not present, higher ceiling ratios may be allowed. (IESNA, RP-1) The Aurea linear system with single T5 lamps is ideal for the modern VDT environment. The double T5 and HO versions are ideal for higher ceilings or where higher illuminance levels are required. The Aurea linear system allows today's lighting designers to specify extruded aluminum fixtures which meet or exceed RP-1 uniformity recommendations.

## Layout Dimensions

Basic standard layouts and dimensions are available from factory upon request.



For combining modules please consult factory.

