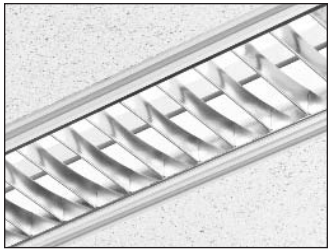


# M100 Semi-recessed Linear Fluorescent Slot Grid



Slot Grid Recessed shown

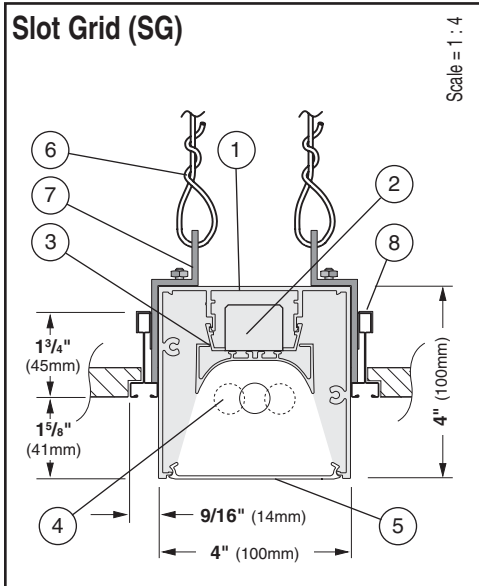
**Project:** \_\_\_\_\_ **Type:** \_\_\_\_\_ **Qty:** \_\_\_\_\_

M1S0			SG			
<b>Fixture Series</b>	<b>Lamp Type</b>	<b>Shielding</b>	<b>Mounting</b>	<b>Nominal Length</b>	<b>Finish</b>	<b>Voltage</b>
_____	_____	_____	_____	_____	_____	_____

**Options** (refer to separate data sheets for ordering codes and details)

Fixture Series	Lamp Type	Shielding	Mounting	Nominal Length	Finish	Voltage	Options		
<b>M1S0</b> M100 Semi-recessed Multi-Mount Form	<b>1T5</b> F28T5	<b>SA</b> Specular Parabolic	<b>SG</b> Slot Grid	<b>004</b> 4 foot	<b>WH</b> White	<b>120</b>	<i>(qty)</i> <b>EM</b> Stand-by Battery Pack <sup>1</sup> (prefix quantity, i.e. - <b>5EM</b> ) <b>FS</b> Single Fusing <b>DM</b> Dimming <sup>1</sup> (specify system) <b>DMA</b> Digital Addressable Dimming <sup>1</sup> <b>SI</b> Satine Acrylic Inlay <sup>3</sup> <b>FW</b> Flex Whip (standard) <b>FW1</b> Flex Whip (dimming) <b>Track</b> Eutrac Standard <sup>2</sup> <b>DL</b> Suitable for Damp Locations <b>CCEA</b> Chicago Plenum <b>Downlights</b> (See MR16 spec sheets, pp.98-99)		
	<b>2T5</b> (2x)F28/T5	<b>MA</b> Matte Parabolic		<b>008</b> 8 foot				<b>BK</b> Black	<b>277</b>
	<b>1T5HO</b> F54T5HO	<b>MP</b> Silky Specular Parabolic <b>PL</b> Matte Perforated Parabolic <b>SD</b> Satine Lens <b>OD</b> Extra Diffuse Lens <b>X</b> None		<b>012</b> 12 foot				<b>SV</b> Silver	<b>347</b>
				For actual lengths see following page. For other lengths, configurations indicate nominal length rounded to the next highest foot. Factory will supply layout drawings. Individual fixtures cannot be field joined.	<b>SP</b> Specify RAL#				

<sup>1</sup>Must be low profile ballasts (1 1/2" W x 1 3/16" H); consult factory for details. <sup>2</sup>Consult factory for details. <sup>3</sup>SA, MA, MP & PL shieldings only.



**1. Housing** - Continuous, 6063-T5 extruded aluminum profile up to 16 feet long. Joined with Connector Plus Joining System for ease of installation and to assure a uniform appearance.

**2. Ballast** - Electronic, high power factor, class "P", type "A" sound rating. Specify 120v, 277v, or 347v. Ballast is factory pre-wired with leads to one end of fixture. Consult factory for ballast options.

**3. Gear Tray** - Extruded aluminum, with white painted finish. Gear tray installed as a complete electrical unit and is held in place with knurled dress nuts. It is fully accessible from below ceiling.

**4. Lamps** - As noted (by others). Other lamp lengths or wattages available, consult factory.

**5. Shielding** - Louvers offer excellent glare control in longitudinal, lateral, and all diagonal planes. High quality aluminum louvers and acrylic shielding allow true freedom of layout for today's modern spaces.

**6. Support Wire to Structure** - Supplied and installed by others.

**7. Support Bracket** - Supplied nominally every four feet.

**8. Slot Grid Beam and Cross Tees** - Supplied and installed by others.

**Interior Luminaire Finish** - Standard interior colors are White (WH), Black (BK) and Silver (SV). RAL Classic colors (SP) are available, please specify RAL#.

SELUX Corp. © 2006  
 TEL: (845) 691-7723  
 FAX: (845) 691-6749  
 www.selux.com/USA  
 M1S0\_SG-01 (v5.0)



Union Made Affiliated  
 with IBEW Local 363

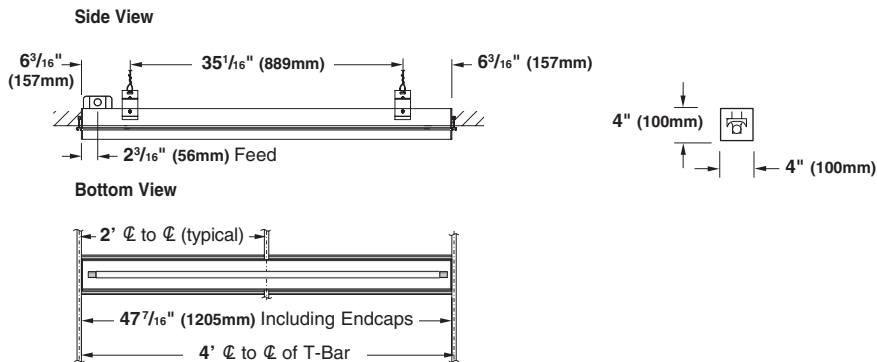
In a continuing effort to offer the best product possible, we reserve the right to change, without notice, specifications or materials that in our opinion will not alter the function of the product. Specification sheets found at www.selux.com/usa are the most recent versions and supercede all other printed or electronic versions.

## M1S0 Slot Grid Layout Dimensions

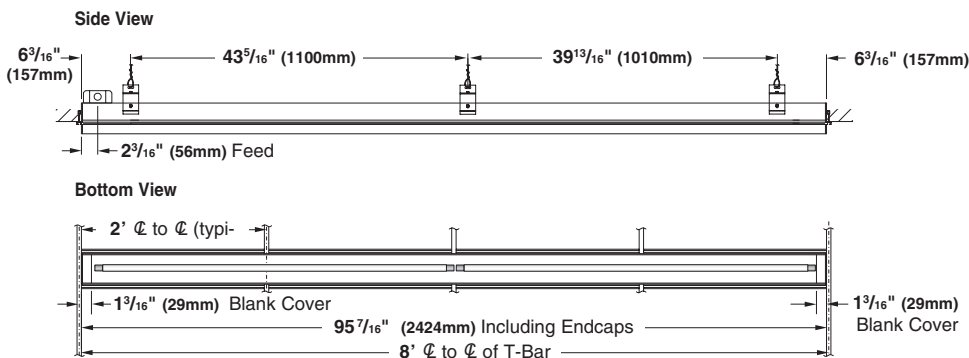
For T5 lamps only, for other lamping consult factory.

### Nominal 4 foot Individual

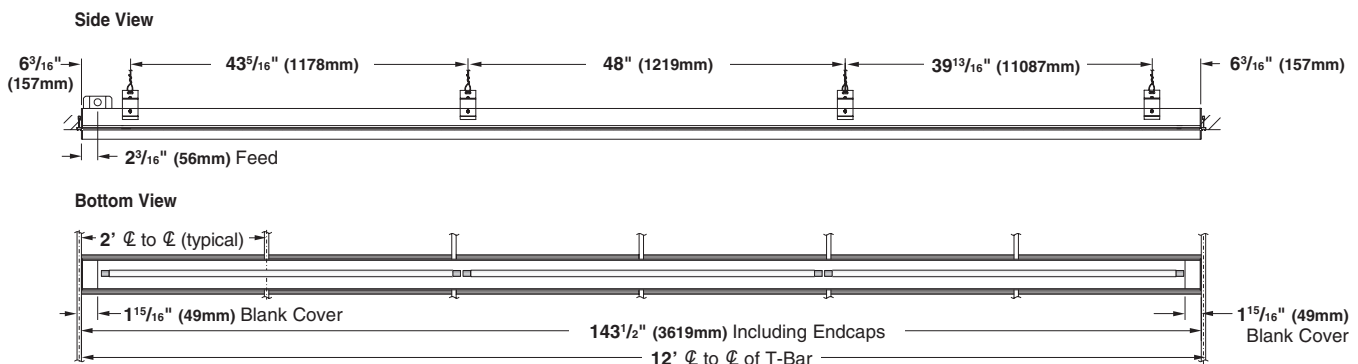
### Typical End View (all lengths)



### Nominal 8 foot Individual



### Nominal 12 foot Individual



Fixture supplied with 7/8 knockout located 2<sup>3</sup>/<sub>16</sub>" from end in top of fixture.

For other lengths, lamping, continuous runs or configurations please specify overall length (in feet), accessories desired and sketch/drawing of configuration. SELUX will detail project drawings upon order and supply submittal drawings for approval. Individual fixtures cannot be field joined. If you have any questions please contact SELUX customer service or applications engineering for assistance (1-800-SELUX-CS).