

# M100 Semi-recessed Linear Fluorescent Slot Grid - STAGGERED LAMPS



Slot Grid Recessed shown

Project: \_\_\_\_\_ Type: \_\_\_\_\_ Qty: \_\_\_\_\_

M1S0S	-	-	SG	-	-	-
Fixture Series	Lamp Type	Shielding	Mounting	Nominal Length	Finish	Voltage
-	-	-	-	-	-	-

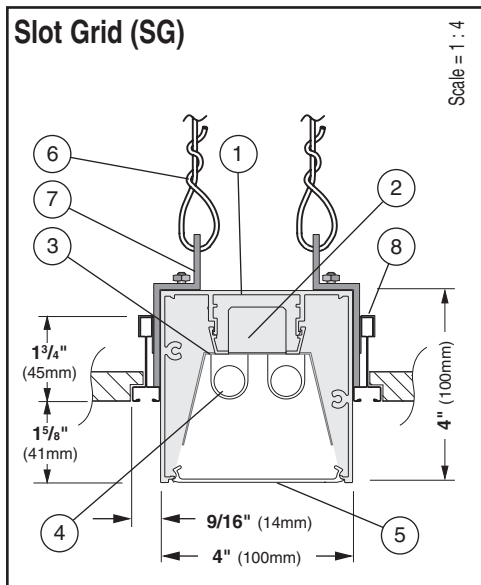
Options (refer to separate data sheets for ordering codes and details)

Fixture Series	Lamp Type	Shielding	Mounting	Nominal Length	Finish	Voltage	Options
M1S0S M100 Semi-recessed Multi-Mount Form Staggered Lamps	1T5 F28T5	OD Extra Diffuse Lens	SG Slot Grid	008 8 foot	WH White	120	(qty.)EM Stand-by Battery Pack <sup>1</sup> (prefix quantity, i.e. - 5EM)
	1T5HO F54T5HO	SD Satine Lens		012 12 foot	BK Black	277	FS Single Fusing
	2T5 (2x)F28/T5				SV Silver	347	DM Dimming <sup>1</sup> (specify system)
					SP Specify RAL#		DMA Digital Addressable Dimming <sup>1</sup>
							FW Flex Whip (standard)
							FW1 Flex Whip (dimming)
							Track Eutrac Standard <sup>2</sup>
							DL Suitable for Damp Locations
							CCEA Chicago Plenum
							Downlights (See MR16 spec sheets, pp.98-99)

<sup>1</sup>Must be low profile ballasts (1 1/2" W x 1 3/16" H); consult factory for details.

<sup>2</sup>Consult factory for details.

## Slot Grid (SG)



**1. Housing** - Continuous, 6063-T5 extruded aluminum profile up to 16 feet long. Joined with Connector Plus Joining System for ease of installation and to assure a uniform appearance.

**2. Ballast** - Electronic, high power factor, class "P", type "A" sound rating. Specify 120v, 277v, or 347v. Ballast is factory pre-wired with leads to one end of fixture. Consult factory for ballast options.

**3. Gear Tray** - Die formed gear tray with integral factory preset sliding covers to fill extrusion with light, with a matt white finish for even illumination. Geartray installs as complete electrical unit and is held in place with knurled dress nuts. It is fully accessible from below ceiling.

**4. Lamps** - As noted (by others). Other lamp lengths or wattages available, consult factory.

**5. Shielding** - Choose between **OD** Extra Diffuse Lens and **SD** Satine Lens. See page 8 for more details.

**6. Support Wire to Structure** - Supplied and installed by others.

**7. Support Bracket** - Supplied nominally every four feet.

**8. Slot Grid Beam and CrossTees** - Supplied and installed by others.

**Interior Luminaire Finish** - Standard interior colors are White (WH), Black (BK) and Silver (SV). RAL Classic colors (SP) are available, please specify RAL#.

SELUX Corp. © 2006  
TEL: (845) 691-7723  
FAX: (845) 691-6749  
www.selux.com/usa  
M1S0S\_SG-01 (v5.0)



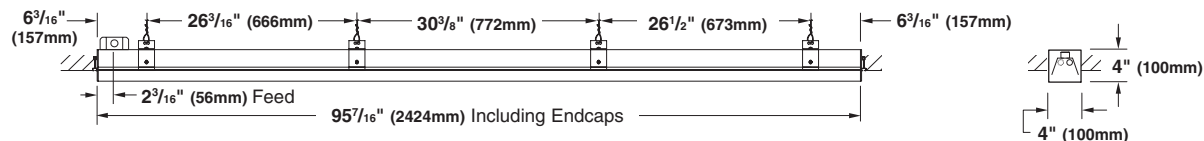
Union Made Affiliated  
with IBEW Local 363

In a continuing effort to offer the best product possible, we reserve the right to change, without notice, specifications or materials that in our opinion will not alter the function of the product. Specification sheets found at www.selux.com/usa are the most recent versions and supercede all other printed or electronic versions.

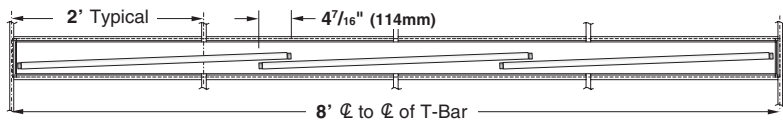
## M1S0S (Single Staggered Lamps) Slot Grid Layout Dimensions

### Nominal 8 foot Individual

Side View

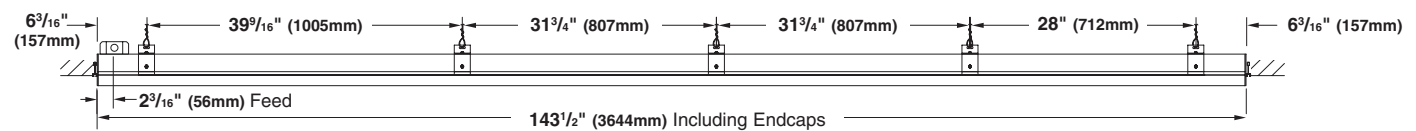


Bottom View

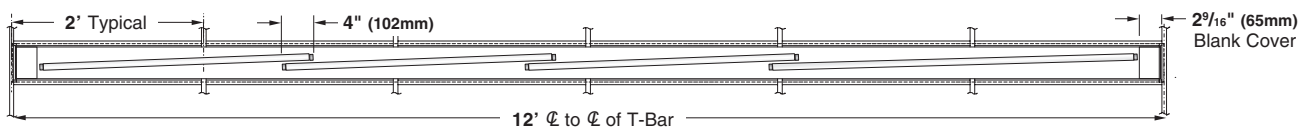


### Nominal 12 foot Individual

Side View



Bottom View



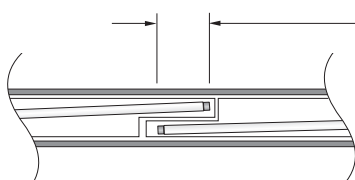
Fixture supplied with 7/8 knockout located 2 3/16" from end in top of fixture.

For other lengths, lamping, continuous runs or configurations please specify overall length (in feet), accessories desired and sketch/drawing of configuration. SELUX will detail project drawings upon order and supply submittal drawings for approval. Individual fixtures cannot be field joined. If you have any questions please contact SELUX customer service or applications engineering for assistance (1-800-SELUX-CS).

## M1S0S Slot Grid (Double Staggered Lamps) Layout Dimensions -

Factory will provide submittal drawings. See chart on page 7 for lengths under 22 ft.

## Staggered Lamps Principle



Lamps are spaced with 4" to 6" overlap to completely illuminate luminaire and practically eliminate socket shadows. Factory will supply approval drawings for other lengths using combinations of 21W & 28W T5 lamps or 39W & 54W T5HO lamps.

Minimal socket shadows may be visible at certain angles. Refer to page 8 for more information.