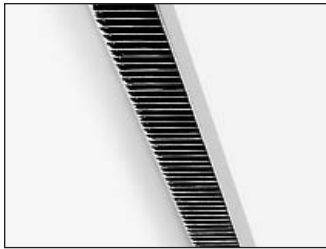


M100 Semi-recessed Linear Fluorescent Spackle Flange



Slot Grid Recessed shown

Project: _____ **Type:** _____ **Qty:** _____

M1S0	---	---	---	---	---	---	---
Fixture Series	Lamp Type	Shielding	Mounting	Nominal Length	Finish	Voltage	

Options (refer to separate data sheets for ordering codes and details)

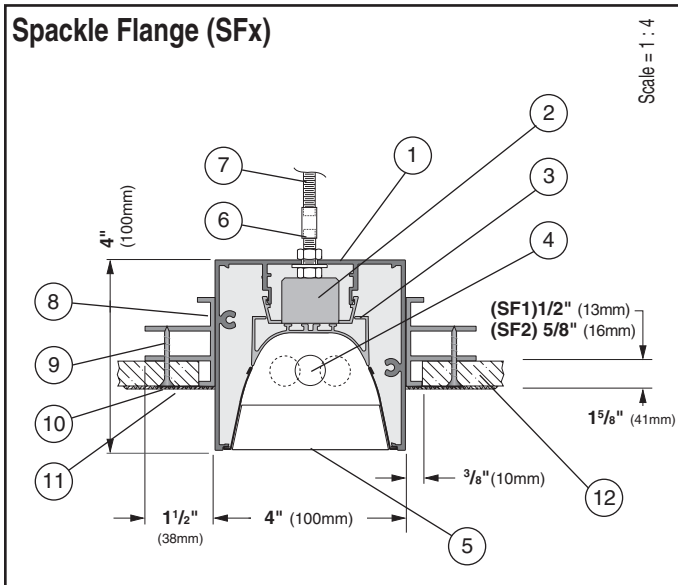
Fixture Series	Lamp Type	Shielding	Mounting	Nominal Length	Finish	Voltage	Options
M1S0 M100 Semi-recessed Multi-Mount Form	1T5 F28T5	SA Specular Parabolic	SF1 Spackle Flange (1/2" dry wall)	004 4 foot	WH White	120	(qty.) EM Stand-by Battery Pack ¹ (prefix quantity, i.e. - 5EM)
	2T5 (2x)F28/T5	MA Matte Parabolic		008 8 foot	BK Black	277	FS Single Fusing
	1T5HO F54T5HO	MP Silky Specular Parabolic	SF2 Spackle Flange (5/8" dry wall)	012 12 foot	SV Silver	347	DM Dimming ¹ (specify system)
	1T8 F032/T8	PL Matte Perforated Parabolic		For actual lengths see following page. For other lengths, configura- tions indicate nominal length rounded to the next highest foot. Factory will supply layout draw- ings. Individual fixtures cannot be field joined.	SP Specify RAL#		DMA Digital Addressable Dimming ¹
		SD Satine Lens					SI Satine Acrylic Inlay ³
		OD Extra Diffuse Lens					FW Flex Whip (standard)
		X None					FW1 Flex Whip (dimming)
							Track Eutrac Standard ²
							DL Suitable for Damp Locations
							CCEA Chicago Plenum
							Downlights (See MR16 spec sheets, pp.98-99)

¹Must be low profile ballasts (1 1/2" W x 1 1/8" H); consult factory for details.

²Consult factory for details.

³SA, MA, MP & PL shieldings only.

Spackle Flange (SFx)



Scale = 1 : 4

1. Housing - Continuous, 6063-T5 extruded aluminum profile up to 16 feet long. Joined with Connector Plus Joining System for ease of installation and to assure a uniform appearance.

2. Ballast - Electronic, high power factor, class "P", type "A" sound rating. Specify 120v, 277v, or 347v. Ballast is factory pre-wired with leads to one end of fixture. Consult factory for ballast options.

3. Gear Tray - Extruded aluminum, with white painted finish. Gear tray installed as a complete electrical unit and is held in place with knurled dress nuts. It is fully accessible from below ceiling.

4. Lamps - As noted (by others). Other lamp lengths or wattages available, consult factory.

5. Shielding - Louvers offer excellent glare control in longitudinal, lateral, and all diagonal planes. High quality aluminum louvers and acrylic shielding allow true freedom of layout for today's modern spaces.

6. Pre-installed 1" 1/4-20 Stud - Attached to fixture every nominal 4 feet.

7. Coupling and Threaded Rod to Structure - Supplied and installed by others.

8. Spackle Flange - For 1/2" (SF1) or 5/8" (SF2) thick sheet rock, installed at factory.

9. Dry Wall Screw - Supplied and installed by others.

10. Fiberglass Sheetrock Tape - Supplied and installed by others.

11. Plaster Skimcoat 1/16" - Supplied and installed by others.

12. Plaster board - Supplied and installed by others. For 1/2" thick specify SF1; for 5/8" thick specify SF2.

Interior Luminaire Finish - Standard interior colors are White (WH), Black (BK) and Silver (SV). RAL Classic colors (SP) are available, please specify RAL#..

SELUX Corp. © 2006
TEL: (845) 691-7723
FAX: (845) 691-6749
www.selux.com/USA
M1S0_SG-01 (v5.0)



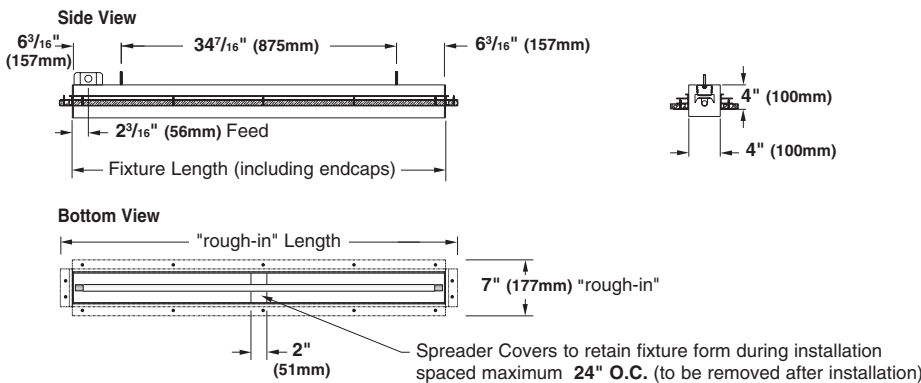
Union Made Affiliated
with IBEW Local 363

In a continuing effort to offer the best product possible, we reserve the right to change, without notice, specifications or materials that in our opinion will not alter the function of the product. Specification sheets found at www.selux.com/usa are the most recent versions and supercede all other printed or electronic versions.

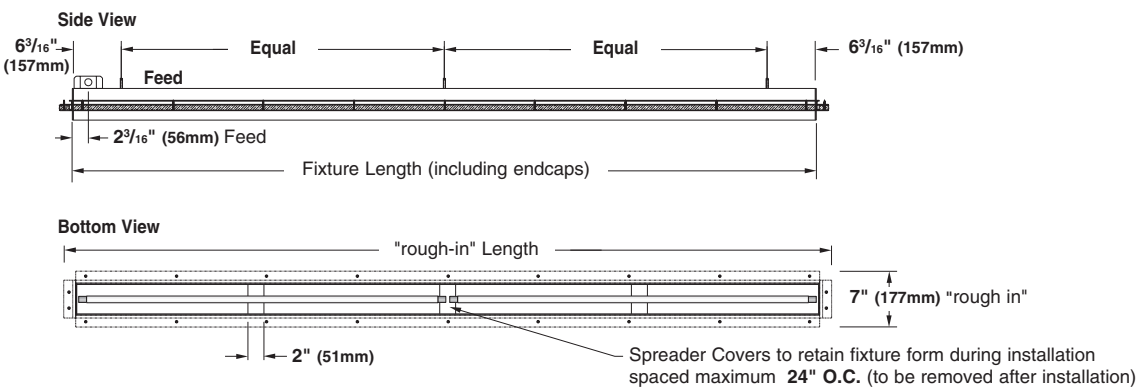
M1S0 Spackle Flange Layout Dimensions

Nominal 4 foot Individual

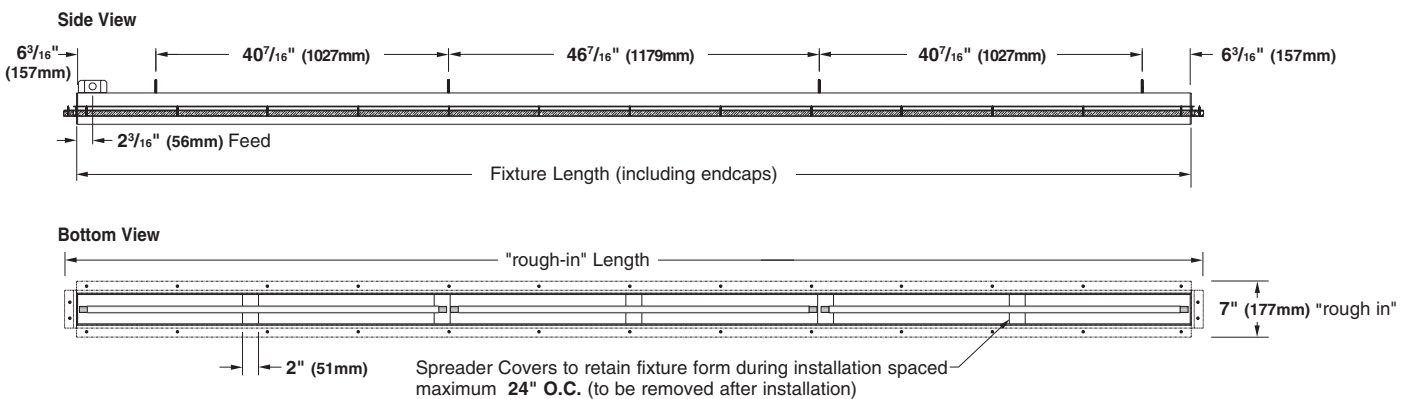
Typical End View (all lengths)



Nominal 8 foot Individual



Nominal 12 foot Individual



Fixture supplied with 7/8 knockout located 2 3/16" from end in top of fixture.

	T5 (1 or 2 lamp)		T8 (1 lamp)	
	M1S0-xT5-xx-SFx		M1S0-1T8-xx-SFx	
	Fixture Length	"Rough-in" Length	Fixture Housing	"Rough-in" Length
4 foot individual	46.81" (1189mm)	49.81" (1265mm)	48.37" (1229mm)	51.37" (1305mm)
8 foot individual	93.21" (2368mm)	96.21" (2444mm)	96.41" (2449mm)	99.41" (2525mm)
12 foot individual	139.65" (3547mm)	142.65" (3623mm)	144.45" (3669mm)	147.45" (3745mm)

For other lengths, lamping, continuous runs or configurations please specify overall length (in feet), accessories desired and sketch/drawing of configuration. SELUX will detail project drawings upon order and supply submittal drawings for approval. Individual fixtures cannot be field joined. If you have any questions, contact SELUX customer service or applications engineering for assistance (1-800-SELUX-CS).