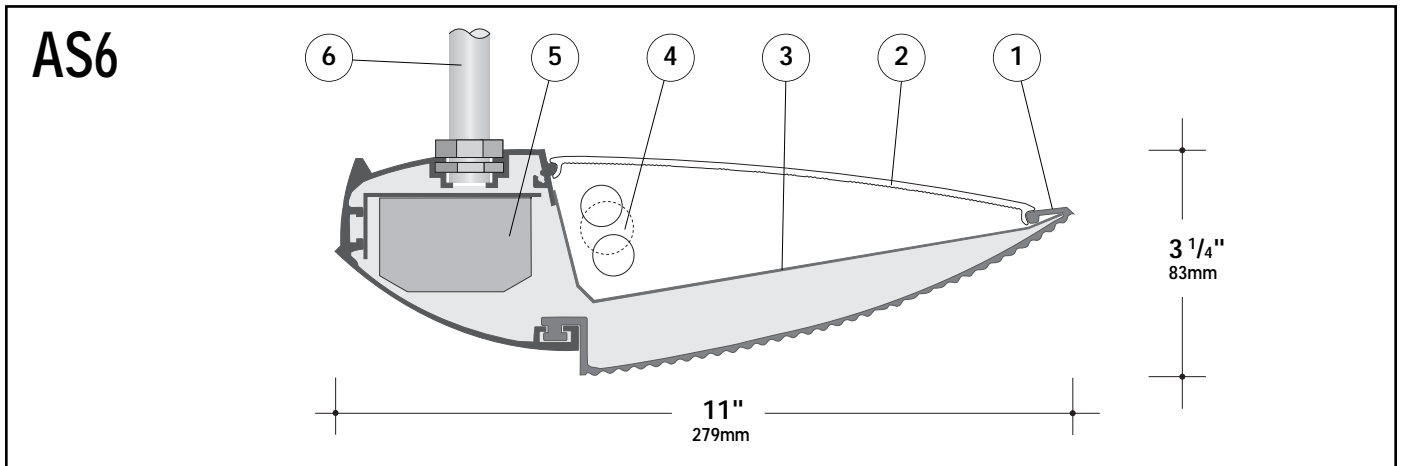


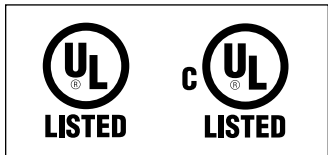
Project: _____ Type: _____ Qty. _____

AS6 - - - - -
 Fixture Series Lamp Type Shielding Mounting Linear Footage Finish Voltage Options
 -
 Options (cont.)

Series	Lamp Type	Shielding	Mounting	Linear Footage	Finish	Voltage	Options
AS6 Artec® S6 Asymmetric Linear Series Wall or Ceiling Mount	1T8 1 x FO32T8	D Prismatic Lens	W Wall (stem)	Indicate nominal length rounded to the next highest foot, using three digits, i.e. 012 , 128 , etc. Linear footage supplied as multiples of 3', 4', or 5'. Factory will supply layout drawings.	WH White	120	Ballast Options EM Stand-by Battery Pack (consult factory) DM Dimming Ballast (consult factory) Wiring Options FS Single Fusing TM Tandem Wiring TA Tandem Wiring (Staggered Circuits)
	1T5 1 x F28T5						
	2T5 1 x F28T5	S Stem	SV Silver		347		
	1T5HO 1 x F54T5HO					DS Double Fixture Stem-Mount	
	T5 Long Twin Tube Lamps available, consult factory						



Union Made
 Affiliated with
IBEW Local 363



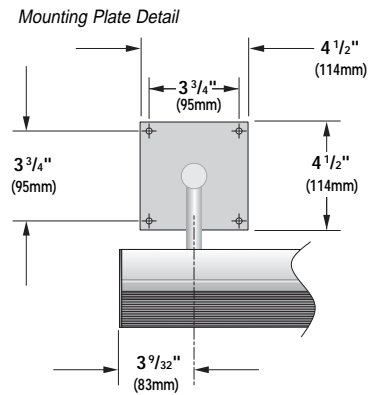
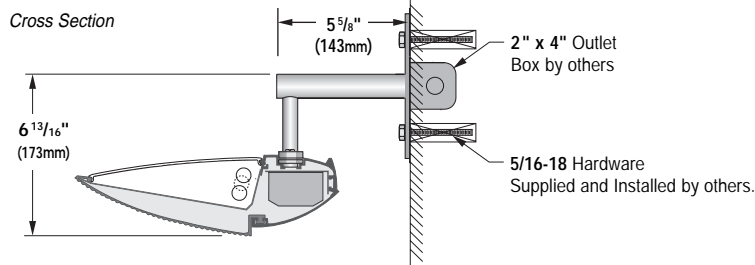
- 1. Construction** - Two piece, 6063-T5, extruded aluminum profiles. Approximate weight of assembled fixture = 4 lbs./ ft.
 - 2. Shielding** - Specify extruded acrylic prismatic diffuser or none. Lens is continuous in (maximum) 5' increments, to protect against dust and ensure high luminaire efficiency. Lens snaps in place facilitating removal and lamp replacement.
 - 3. Reflector** - Precision formed, low-iridescent, highly specular hammertone, 0.025" thick aluminum reflector.
 - 4. Lamps** - As noted (by others). Other lamp lengths and wattages available (consult factory).
 - 5. Ballast** - Electronic ESB, high power factor, class P, type A sound rating. Specify 120v, 277v, or 347v. Ballast is factory pre-wired with leads to one end of fixture. Consult factory for ballast options.
 - 6. Suspensions** - 5/8" O.D. stems are 2' from ceiling to top of luminaire and may be cut in field. See Layout Dimensions for wall mounting detail and dimensions. Other lengths are available, consult factory. Assembly should be fed as per NEC through 4 x 4 junction box (2 x 4 horizontally mounted junction box for wall mount applications) (supplied and installed by others).
- Interior Luminaire Finish** - Standard interior colors are White (WH), Black (BK) and Silver (SV). RAL colors (SP) are available, please specify RAL#.

SELUX Corp. © 2003
 PO Box 1060, 5 Lumen Lane
 Highland, NY 12528
 TEL: (845) 691-7723
 FAX: (845) 691-6749
 E-mail: seluxus@selux.com
 Web Page: www.selux.com/usa
 AS6-0504-01 (ss-V3.02)

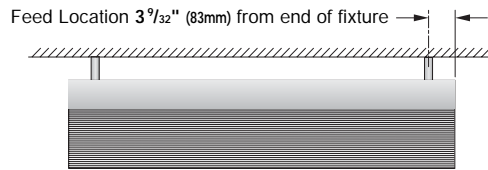
In a continuing effort to offer the best product possible, we reserve the right to change, without notice, specifications or materials that in our opinion will not alter the function of the product. Specification sheets found at www.selux.com/usa are the most recent versions and supercede all other printed or electronic versions.

Mounting

Wall Mount (stem) "W"



Bottom View



Side View

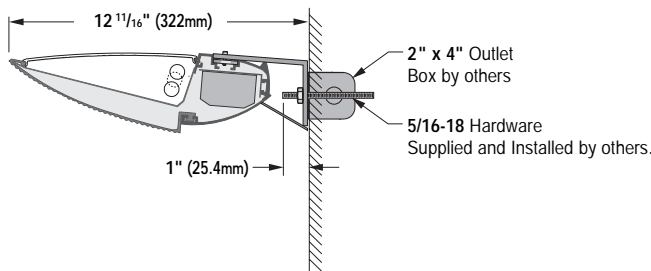


Assembly should be fed and installed per any applicable NEC and local codes through 2 x 4 horizontally mounted junction box (supplied and installed by others).

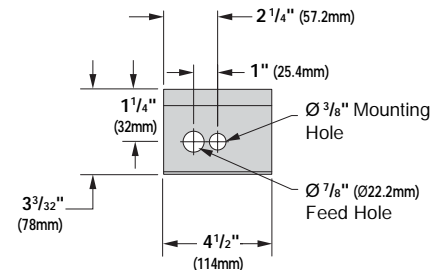
Wall Mount (Bracket) "WB"

Cross Section

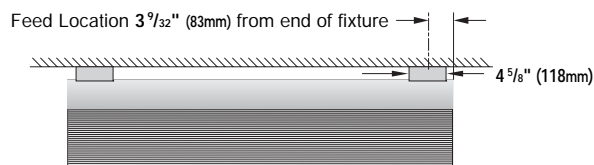
Provides 5° Up-Tilt



Mounting Plate Detail



Bottom View



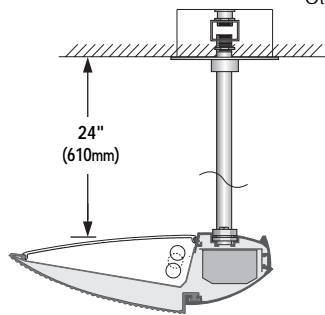
Side View



Assembly should be fed and installed per any applicable NEC and local codes through 2 x 4 horizontally mounted junction box (supplied and installed by others).

Stem "S"

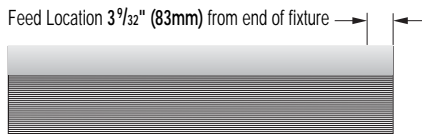
Cross Section



24" standard suspension from ceiling to top of luminaire and may be cut in field. Other lengths available, consult factory.

Architect and/or structural engineer to coordinate support as required. It is imperative that stems are straight and level to insure proper installation of fixtures.

Bottom View

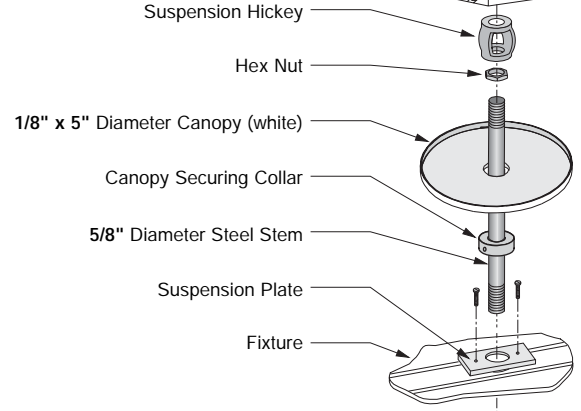


Side View



3/8 IP Nipple supplied and installed by others

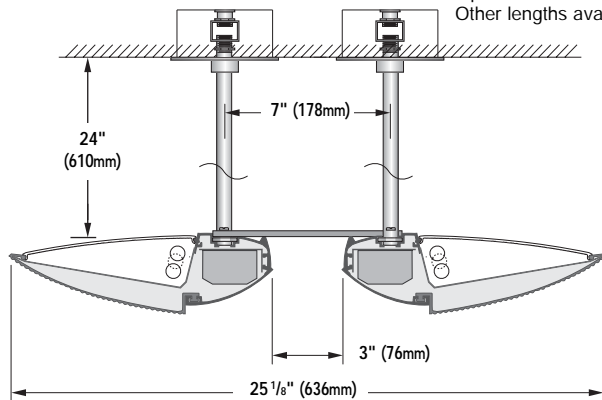
Outlet Box supplied and installed by others. Rigid connection of outlet box in field by others. Feed wires through stem supplied by others.



Assembly should be fed and installed per any applicable NEC and local codes through 4 x 4 horizontally mounted junction box (supplied and installed by others).

Double Stem "DS"

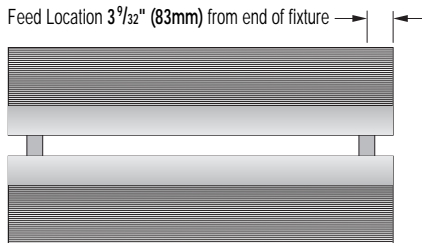
Cross Section



24" standard suspension from ceiling to top of luminaire and may be cut in field. Other lengths available, consult factory.

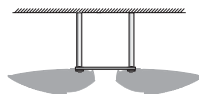
Architect and/or structural engineer to coordinate support as required. It is imperative that stems are straight and level to insure proper installation of fixtures.

Bottom View



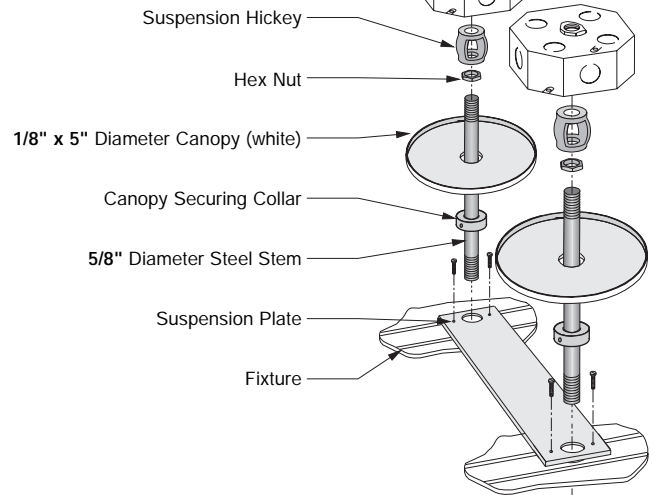
Feed Location 39/32" (83mm) from end of fixture

Side View



3/8 IP Nipple supplied and installed by others

Outlet Box supplied and installed by others. Rigid connection of outlet box in field by others. Feed wires through stem supplied by others.

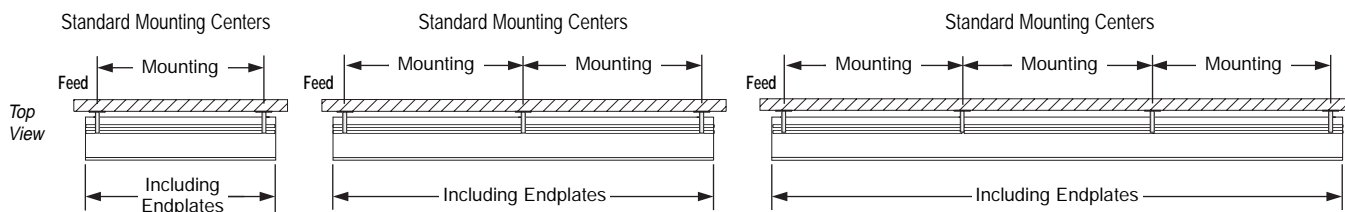


Assembly should be fed and installed per any applicable NEC and local codes through 4 x 4 horizontally mounted junction box (supplied and installed by others).

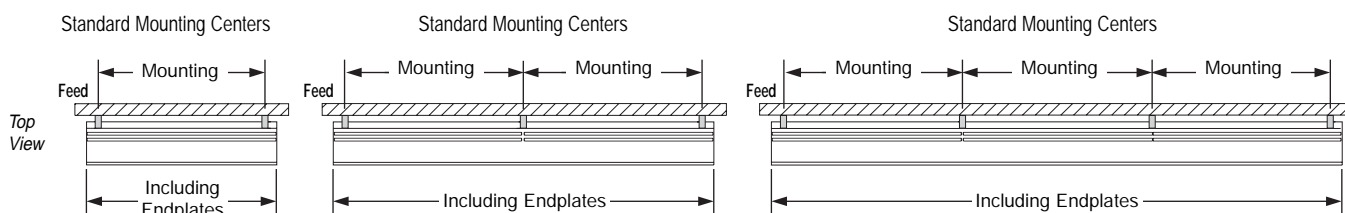
Layout Dimensions

For other lengths, lamping, continuous rows, or other configurations, please specify overall length (in feet), along with accessories desired, sketch/drawing of configuration and SELUX will detail project drawings upon order and supply submittal drawings for approval. If you have any questions please contact SELUX customer service or applications engineering for assistance (1-800-SELUX-CS).

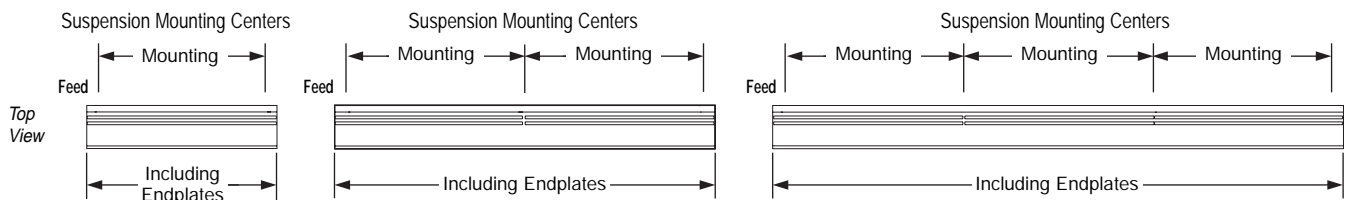
Wall Mount (stem) "W"



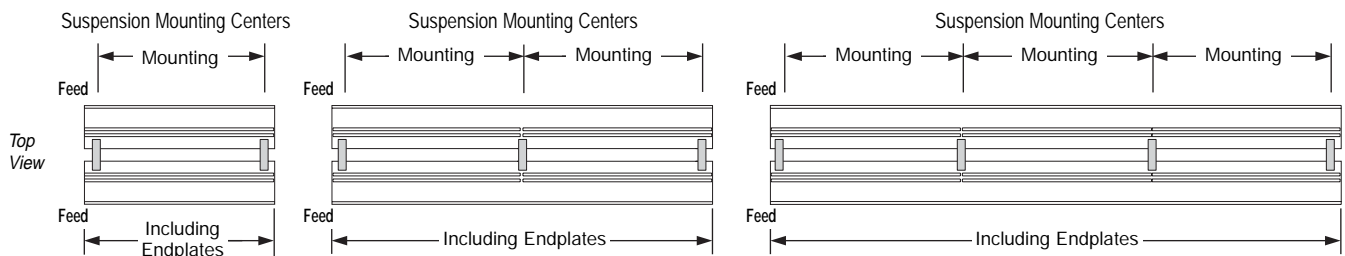
Wall Mount (Bracket) "WB"



Stem "S"



Double Stem "DS"



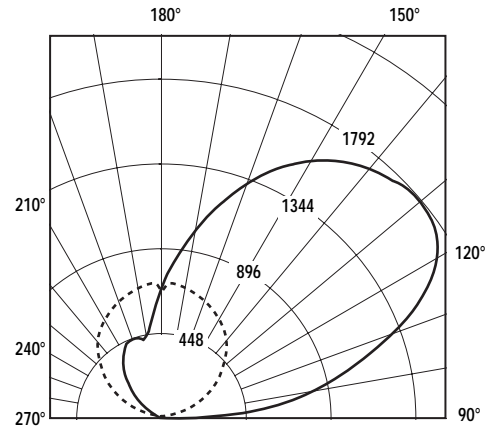
	T5 Lamp		T8 Lamp	
	Including Endplates	Suspensions/Mounting	Including Endplates	Suspensions/Mounting
4 foot individual	47.00" (1194mm)	40.44" (1027mm)	49.00" (1245mm)	42.44" (1078mm)
8 foot individual	93.44" (2373mm)	43.44" (1103mm)	97.44" (2475mm)	45.44" (1154mm)
12 foot individual	139.87" (3553mm)	44.44" (1129mm)	145.87" (3705mm)	46.44" (1180mm)

Photometric Data

Catalog #: AS6-2T5-X
 Lamp: 2x F28/T5
 @ 2900 lumens each
 ITL Report #: 17023
 Luminaire Efficiency: 65.7%
 Maximum Candela: 2034.4 @ 130°

Vertical Plane through
 Horizontal Angles 0-180
 {Parallel to lamp}

Vertical Plane through
 Horizontal Angles 90-270
 (Through Max Cd)
 {Perpendicular to lamp}

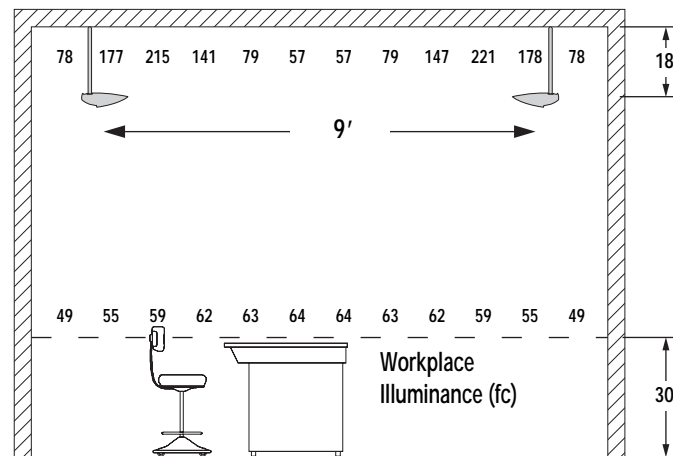


Consult our Applications Department for information or layouts of other lamp/ ballast options and photometrics.

Sample Room 1: 12' x 12'
 Ceiling Height: 9'
 Reflectance: 80/50/20
 Light Loss Factor: 0.80
 Suspension: 18"
 Data Spacing: 1' O.C.

Spacing	Ceiling Uniformity Ratio	Avg Fc
9' (18 from wall)	5:1	52

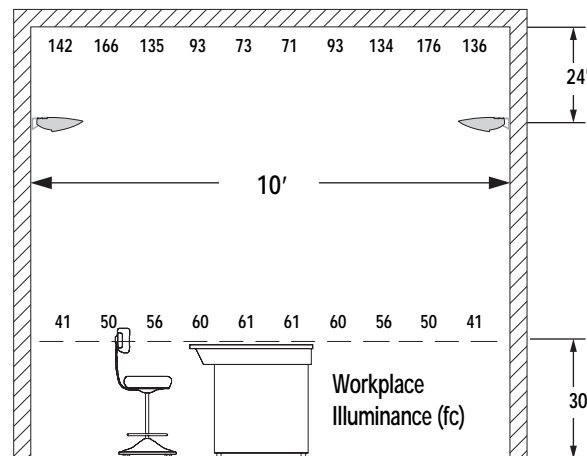
Ceiling Exitance (lm/ ft²)



Sample Room 2: 10' x 12'
 Ceiling Height: 9'
 Reflectance: 80/50/20
 Light Loss Factor: 0.80
 Suspension: 24"
 Data Spacing: 1' O.C.

Spacing	Ceiling Uniformity Ratio	Avg Fc
9'(against wall)	3:1	48

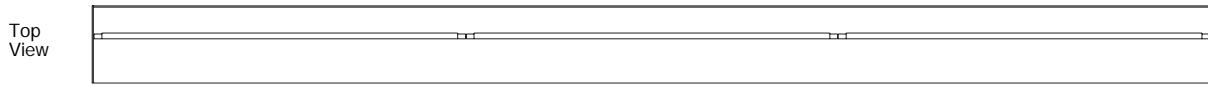
Ceiling Exitance (lm/ ft²)



Photometric Performance

To avoid excessive ceiling brightness, the illumination on the ceiling should be evenly distributed. In a VDT intensive environment, better uniformity will result in less noticeable glare on the screen. Ratios up to 8:1 are acceptable; however, 4:1 is achievable and more desirable. If VDTs are not present, higher ceiling ratios may be allowed. (IESNA, RP-1)
 The Artec® S6 indirect linear system allows today's lighting designers to specify extruded aluminum fixtures at maximum spacing which meet or exceed RP-1 uniformity recommendations.

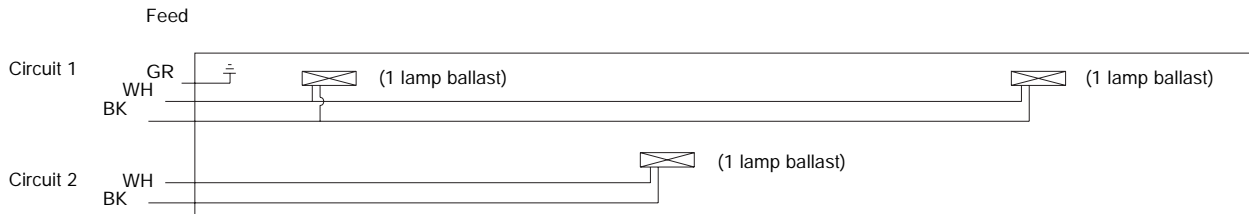
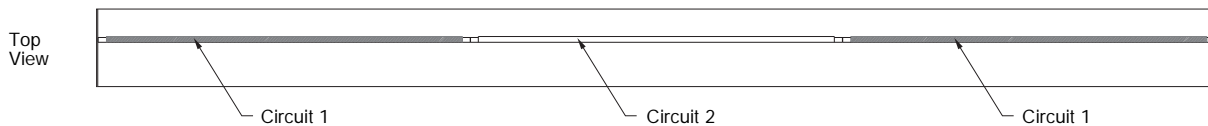
Standard Wiring



NOTE: For Double Stem (DS) configuration, each side supplied with separate feeds and wiring on same end of row.

Tandem Wiring (Staggered Circuits)

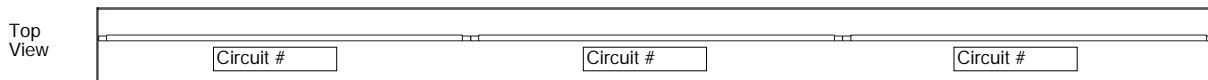
Ordering Code: **TA**



NOTE: For Double Stem (DS) configuration, each side supplied with separate feeds and wiring on same end of row.

Tandem Wiring (Job Specific Circuitry)

Ordering Code: **TM** Note: Specify circuits for each lamp.



NOTE: For Double Stem (DS) configuration, each side supplied with separate feeds and wiring on same end of row.